

General Purpose Motors DC Motors



12, 24, 90, & 180VDC Permanent Magnet Motors

Brushes are external for easy replacement. Dependable DC permanent magnet motor features copper windings.

Uses: Low voltage machines, pumps, fans, chemical feeders, and other applications.

- Enclosure: TENV
- Mounting: All-position face and base
- Service Factor: 1.0
- Ambient: 40°C
- Bearings: Ball
- Insulation: Class B
- Rotation: CW/CCW

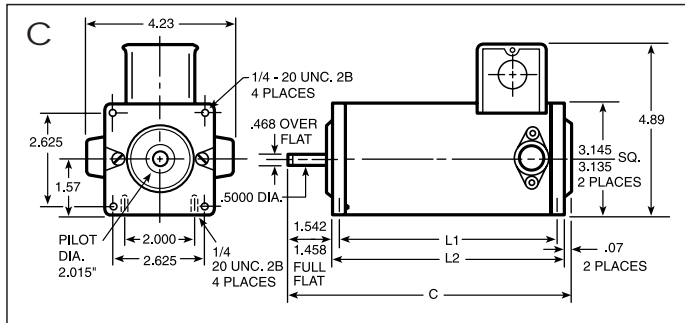
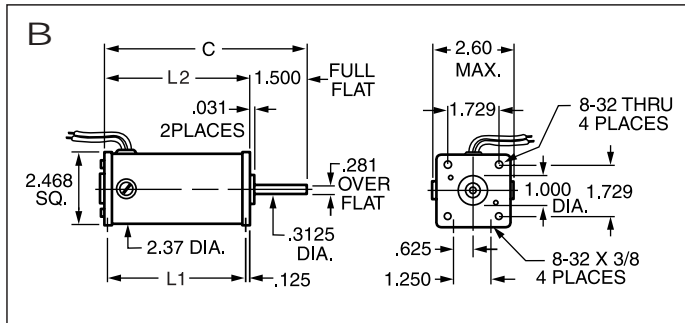
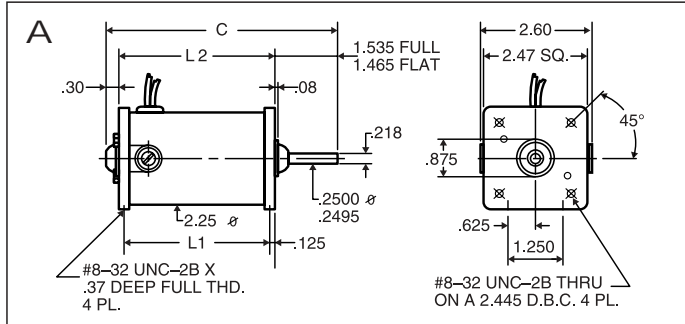
Note: Use with controls listed or with other Type K DC rectified power sources matched to voltage (providing Form Factor does not exceed 1.3).



A & B
No. 12835



C
No. 42140



SPEED CONTROL MATRIX

Stock No.	Control 12VDC	Control 24VDC
12835	12802.5JJ51	12805.5JJ52
42145	12802.5JJ51	12805.5JJ52
42144	12802.5JJ51	12805.5JJ52
42143	12802.5JJ51	12805.5JJ52
42529	5JJ51	5JJ52

Stock No.	Control
90VDC	12837, 12808.5JJ56, 5JJ57, 5JJ58, 42827, 42527, 42828, 5X412, 6X165, 42142, 12808.5JJ56, 5JJ57, 5JJ58, 42827, 42527, 42828, 5X412, 6X165, 42141, 12808.5JJ56, 5JJ57, 5JJ58, 42827, 42527, 42828, 5X412, 6X165, 42140, 12808.5JJ56, 5JJ57, 5JJ58, 42827, 42527, 42828, 5X412, 6X165, 42528, 12808.5JJ56, 5JJ57, 5JJ58, 42827, 42527, 42828, 5X412, 6X165
180VDC	12840, 5JJ56, 5JJ57, 5JJ58, 12842, 5JJ56, 5JJ57, 5JJ58, 12851, 5JJ56, 5JJ57, 5JJ58

Key	HP		Nameplate RPM		Full-Load Torque (In.-Lbs.)	Full-Load Amps @ Nameplate Volts	Dimensions (In.)			Stock No.	List	Each	Shpg. Wt.
	at 12VDC	at 24VDC	at 12VDC	at 24VDC			C	L1	L2				
12/24VDC, TENV													
A	1/44	1/18	1800	4300	0.81	2.4	5.55	3.50	3.75	12835			2.8
B	1/20	1/9	1750	4000	1.81	5.1	6.44	4.68	4.93	42145			4.0
C	1/14	1/6	1750	4200	2.56	6.9	6.41	4.42	4.89	42144			6.3
C	1/7	1/4	1750	3900	5.63	14.0	8.41	6.42	6.89	42143			8.9
C	1/6	1/3	1800	4200	6.38	16.5	9.41	7.42	7.89	42529			11.0

Key	HP	Nameplate RPM	Full-Load Torque (In.-Lbs.)	Full-Load Amps @ Nameplate Volts	C	Dimensions (In.)			Stock No.	List	Each	Shpg. Wt.
						L1	L2					
90VDC, TENV												
A	1/53	2500	0.50	0.26	5.55	3.50	3.75		12837			2.8
B	1/27	1800	1.30	0.50	6.44	4.68	4.93		42142			3.9
C	1/18	1800	1.95	0.75	6.81	4.42	4.89		42141			6.2
C	1/8	1800	4.38	1.50	8.41	6.42	6.89		42140			9.1
C	1/6	1800	5.63	1.80	9.50	7.42	7.89		42528			8.3

180VDC, TENV												
C	1/14	2350	1.95	0.41	6.41	4.42	4.89		12840			6.5
C	1/8	1800	4.38	0.68	8.41	6.42	6.89		12842			9.0
C	1/6	1800	5.63	0.90	9.50	7.42	7.89		12851			10.0