

**Brazil - Plugs and Connectors, 10A and 20A, NBR 14136**

**Rewirable Mains Line Plugs and Connectors, NBR 14136**

*Used in Country:*  
Brazil

**Specifications:**

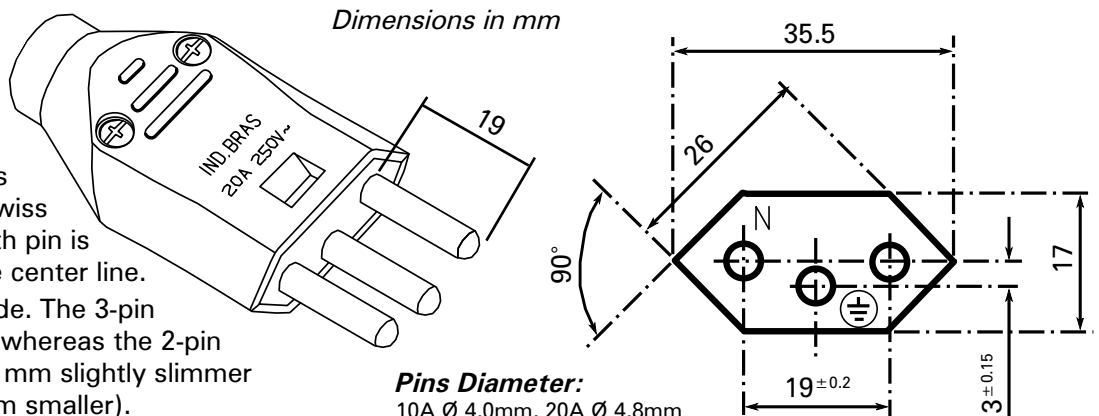
- **Ratings:**  
10 and 20 Amp, 250 Volt AC
- **Compliant with Standards:**  
NBR 14136, IEC 60906-1.
- **Colors:** Black (BK), Light Grey (LG).
- **Pins Diameter:**  
10A Ø 4.0mm, 20A Ø 4.8mm



Description	Catalog No:	Straight Plug	Angle Plug	Connector
<b>10 Amp, 250V AC, 2 Pole 2 Wire Non-Grounding:</b>				
Standard (Small), Grey, Bipolar, 10A/250V~	—	—	<b>2400-LG</b>	—
Standard (Small), Black, Bipolar, 10A/250V~	—	—	<b>2401-BK</b>	—
Standard, Grey, Bipolar, 10A/250V~	<b>1419-LG</b>	—	<b>1453-LG</b>	<b>1417-LG</b>
Standard, Black, Bipolar, 10A/250V~	<b>2140-BK</b>	—	<b>1461-BK</b>	<b>2144-BK</b>
Standard, Grey, Bipolar, 10A/250V~	<b>1898-LG</b>	<i>(Includes Straight Plug and Connector)</i>		
<b>10 Amp, 250V AC, 2 Pole 3 Wire Grounding:</b>				
Standard, Grey, 2P + E, 10A/250V~	<b>1729-LG</b>	—	<b>1481-LG</b>	<b>1727-LG</b>
Standard, Black, 2P + E, 10A/250V~	<b>2142-BK</b>	—	<b>1489-BK</b>	—
Standard, Grey, 2P + E, 10A/250V~	<b>1918-LG</b>	<i>(Includes Straight Plug and Connector)</i>		
<b>20 Amp, 250V AC, 2 Pole 2 Wire Non-Grounding:</b>				
Standard, Grey, Bipolar, 20A/250V~	<b>1420-LG</b>	—	<b>1454-LG</b>	<b>1418-LG</b>
Standard, Black, Bipolar, 20A/250V~	<b>2141-BK</b>	—	<b>1462-BK</b>	<b>2145-BK</b>
Standard, Grey, Bipolar, 20A/250V~	<b>1899-LG</b>	<i>(Includes Straight Plug and Connector)</i>		
<b>20 Amp, 250V AC, 2 Pole 3 Wire Grounding:</b>				
Standard, Grey, 2P + E, 20A/250V~	<b>1730-LG</b>	—	<b>1482-LG</b>	<b>1728-LG</b>
Standard, Black, 2P + E, 20A/250V~	<b>2143-BK</b>	—	<b>1490-BK</b>	<b>2147-BK</b>
Standard, Grey, 2P + E, 20A/250V~	<b>1919-LG</b>	<i>(Includes Straight Plug and Connector)</i>		

**NOTES:**

The Class I and II plugs shapes are similar to the Europlug. Front profile is also a flat hexagon, but it is slightly thicker. Plug looks remarkably similar to the Swiss SEV 1011 plug, but the earth pin is further 5mm away from the center line. Both plugs are 35.5 mm wide. The 3-pin Class I plug is 17 mm high, whereas the 2-pin Class II plug is with only 14 mm slightly slimmer (the Europlug is only 0.3 mm smaller).



**Pins Diameter:**  
10A Ø 4.0mm, 20A Ø 4.8mm