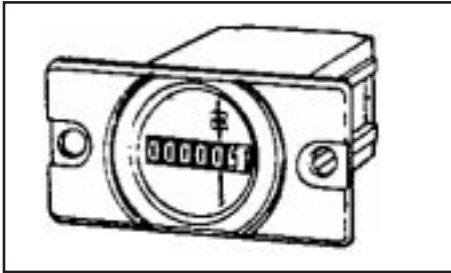


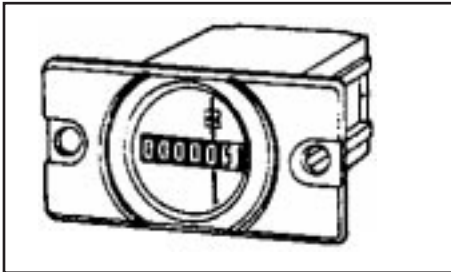
Catalog-No.	Bulseye AC Hourmeters	Weight	VPE	EDP-No.
711-0130	(95F1403) 120V AC / 60Hz	140g	10/1	
711-0131	(95F1404) 220V AC / 60Hz	140g	10/1	

7 digit (99,999.99 Hrs), 2-Hole, Rectangle, numerals magnified to 0.14" (3.6mm), 2 watts (nominal AC), AC models UL recognized, CSA certified. Temperature range -13°F (-25°C) to +185°F (+85°C), mounting by 2-screw mounting kit not included, 1.45" (36.8mm) x 0.87" (22.1mm) panel cutout. 1/4" (6.35mm) spade terminals obtained by removing screws from clamp.



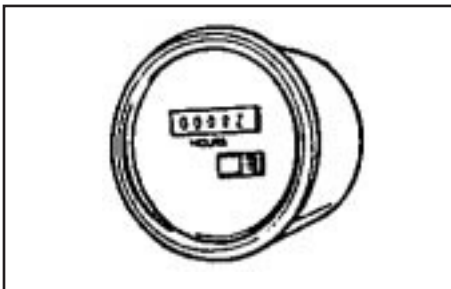
Catalog-No.	Bulseye AC Hourmeters	Weight	VPE	EDP-No.
711-0113	(95F1405) 120V AC / 60Hz	140g	10/1	
711-0111	(95F1406) 220V AC / 60Hz	140g	10/1	

7 digit (99,999.99 Hrs), Flush, Rectangle, numerals magnified to 0.14" (3.6mm), 2 watts (nominal AC), AC models UL recognized, CSA certified. Temperature range -13°F (-25°C) to +185°F (+85°C), mounting by retaining clip, 1.45" (36.8mm) x 0.87" (22.1mm) panel cutout. 1/4" (6.35mm) spade terminals obtained by removing screws from clamp.



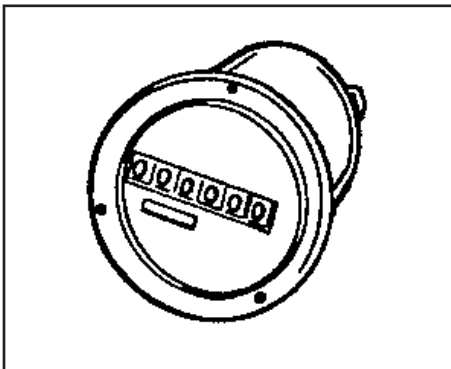
Catalog-No.	Bulseye DC Hourmeters	Weight	VPE	EDP-No.
731-0040	(95F1407) 10-50V DC, 2-Hole	140g	10/1	
731-0041	(95F1408) 10-50V DC, Flush	140g	10/1	

7 digit (99,999.99 Hrs), 2-hole or flush mounting, Rectangle, numerals magnified to 0.14" (3.6mm), 0.2 watts (DC). Temperature range -13°F (-25°C) to +185°F (+85°C), mounting by retaining clip or 2-screw mounting kit not included, 1.45" (36.8mm) x 0.87" (22.1mm) panel cutout. 1/4" (6.35mm) spade terminals obtained by removing screws from clamp.



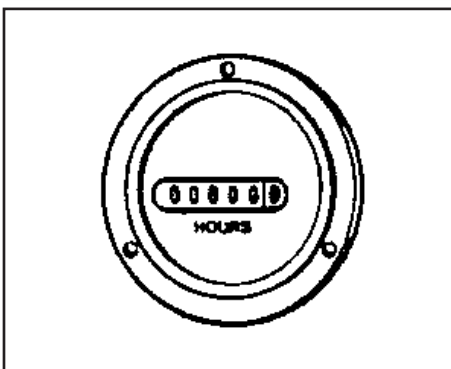
Catalog-No.	740 Vibration Hourmeter	Weight	VPE	EDP-No.
740-0003	(90F8442) 6 Digit (99,999.9 Hrs.)	250g	10/1	

Vibration driven hourmeter, 2.063" (52.4mm) panel cutout, sealed in dust proof, water-tight plastic housing, screw-on (threaded ring) mounting, 2.26" (57.4mm) dia. case. Records to 99,999.9 hrs. Requires a minimum vibration frequency and amplitude, for consistent accuracy.



Catalog-No.	720 AC MIL-SPEC Hourmeter	Weight	VPE	EDP-No.
720-0003	(90F8437) 120V AC / 60Hz	450g	10/1	

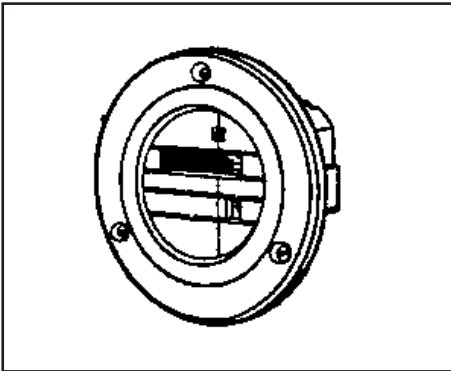
6 digit (99,999.9 Hrs), 2.44" (62.0mm) bolt hole centers, encased in rugged steel, 2.5 watts (nominal). 2.16" (54.9mm) dia. panel opening, temp -65°F (-54°C) to +155°F (+68°C), meets MIL-SPEC M3971/2-1 and M3971/2-5, terminal block. UL recognized, CSA certified.



Catalog-No.	710 AC Hourmeters	Weight	VPE	EDP-No.
710-0001	(90F8434) [B] 120V AC / 60Hz, Wire	210g	10/1	
710-0002	(90F8435) [B] 120V AC / 60Hz, Term.	210g	10/1	
710-0013	(90F8436) [A] 120V AC / 60Hz, Wire	210g	10/1	

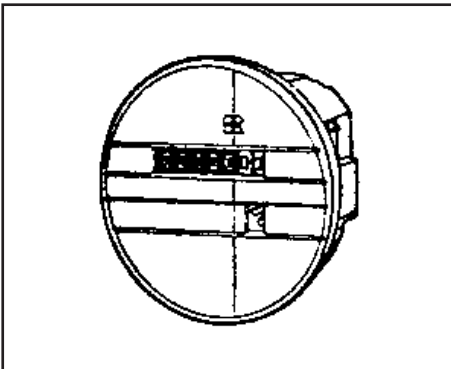
5 digit [A] (9,999.9 Hrs) reset or 6 digit [B] (99,999.9) non-reset, 2.84" (72.1mm) dia Bezel, 0.22" (5.6mm) numerals, 3 watt (nominal), UL recognized, CSA certified. Temperature range -20°F (-29°C) to +160°F (71°C); panel cutout 2.21" (56.1mm) dia, 2.44" (62.0mm) to 2.53" (64.3mm) slotted mounting holes. Hourmeter termination on Cat.No. 710-0002 with terminal block, others with 8" (203.2mm) wire leads.





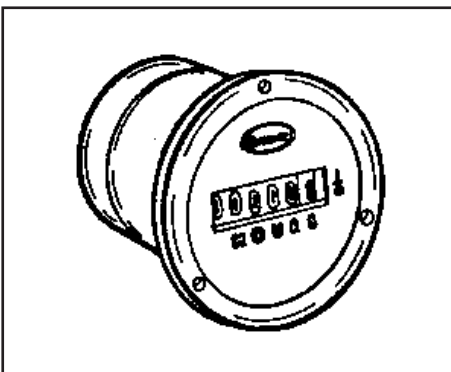
Catalog-No.	Blackbird AC Hourmeters	Weight	VPE	EDP-No.
711-0160	(95F1399) 120V AC / 60Hz	140g	10/1	
711-0162	(95F1400) 220V AC / 60Hz	140g	10/1	

7 digit (99,999.99 Hrs.), 3-Hole Round, 2.93" (74.4mm) dia., 0.138" (3.5mm) numerals, 2 watts (nominal), UL recognized CSA certified, temperature range -22°F (-30°C) to +158°F (+70°C); panel cutout 1.99" (50.6mm) dia; 3-screw mounting kit included. 1/4" (6.35mm) spade terminals obtained by removing screws from clamp.



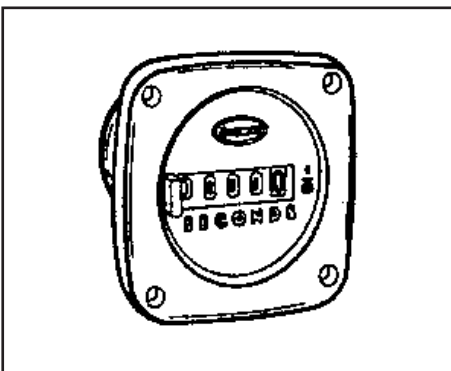
Catalog-No.	Blackbird AC Hourmeters	Weight	VPE	EDP-No.
711-0150	(95F1401) 120V AC / 60Hz	140g	10/1	
711-0152	(95F1402) 220V AC / 60Hz	140g	10/1	

7 digit (99,999.99 Hrs.), Flush Mount Round, 2.28" (57.9mm) dia., 0.138" (3.5mm) numerals, 2 watts (nominal), UL recognized CSA certified, temperature range -22°F (-30°C) to +158°F (+70°C); panel cutout 1.99" (50.6mm) dia; 3-screw mounting kit included. 1/4" (6.35mm) spade terminals obtained by removing screws from clamp.



Catalog-No.	635/636 Elapsed Time Indicators	Weight	VPE	EDP-No.
10053	(55F4397) [E] 99,999.9 Minutes	430g	10/1	
10055	(55F4399) [E] 99,999.9 Hours	430g	10/1	
10061	(55F3141) [S] 99,999.9 Minutes	430g	10/1	
10063	(55F3143) [S] 99,999.9 Hours	430g	10/1	
10069	(55F3146) [G] 99,999.9 Minutes	430g	10/1	
10071	(55F3148) [G] 99,999.9 Hours	430g	10/1	
10184	(35F3803) [K] 99,999.9 Minutes	430g	10/1	
10186	(35F3805) [K] 99,999.9 Hours	430g	10/1	
10072	(55F4444) [X] 9,999.9 Seconds	410g	10/1	
10074	(55F4447) [X] 9,999.9 Minutes	410g	10/1	
10075	(55F4450) [X] 9,999.9 Hours	410g	10/1	
10076	(55F4460) [E] 9,999.9 Seconds	410g	10/1	
10078	(55F4463) [E] 9,999.9 Minutes	410g	10/1	
10079	(55F4466) [E] 9,999.9 Hours	410g	10/1	
10080	(55F4452) [Y] 9,999.9 Seconds	410g	10/1	
10082	(55F4455) [Y] 9,999.9 Minutes	410g	10/1	
10083	(55F4458) [Y] 9,999.9 Hours	410g	10/1	
10084	(55F4468) [S] 9,999.9 Seconds	410g	10/1	
10086	(55F4471) [S] 9,999.9 Minutes	410g	10/1	
10087	(55F4474) [S] 9,999.9 Hours	410g	10/1	

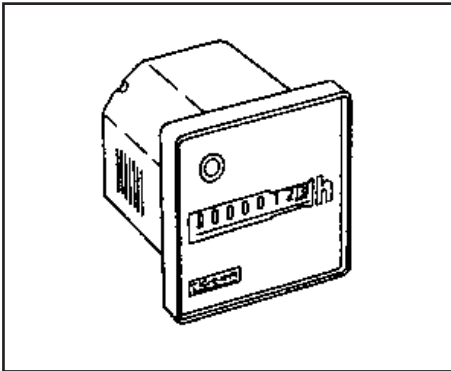
635 series non-resettable indicators with induction motors for faster starts and stops. Large, six-digit readout. 636 series resettable, with five-digit readout. Both models 115V AC, 60Hz. Case styles; "E" is 3.5" (88.9mm) round bezel; "S" 3.5" (88.9mm) square bezel; "X" 2.5" (63.5mm) round bezel; "Y" 2.5" (63.5mm) square bezel; "G" 2.5" (63.5mm) utility type round bezel; "K" 2.5" (63.5mm) utility square bezel. UL recognized, CSA certified.



Catalog-No.	Blackbird AC Hourmeter	Weight	VPE	EDP-No.
711-0190	(90F8438) 120V AC / 60Hz	140g	10/1	

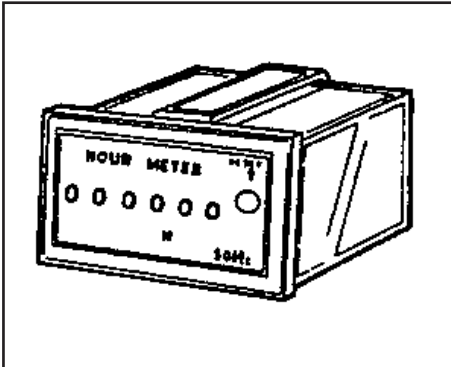
7 digit (99,999.99 Hrs.), Flush Mount Square, 2.05" (52.1mm) Sq., 0.138" (3.5mm) numerals, 2 watts (nominal), UL recognized CSA certified, temperature range -22°F (-30°C) to +158°F (+70°C); panel cutout 1.99" (50.6mm) dia; 3-screw mounting kit included. 1/4" (6.35mm) spade terminals obtained by removing screws from clamp.





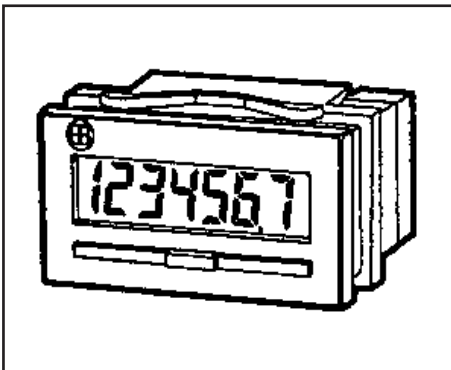
Catalog-No.	99-761 Elapsed Time Indicator	Weight	VPE	EDP-No.
99-761-715	(96F1859) 115V AC / 60Hz	200g	10/1	
99-761-718	(96F1860) 24V AC / 60Hz	200g	10/1	
26-546-803	(96F1861) DIN Rail Adaptor	50g	10/1	
26-546-805	(96F1862) Square Bezel	30g	10/1	

99-761 series elapsed time indicators are ruggedly constructed true-time mechanisms for recording the ON time of electrical equipment and machinery. 7-digit display has capacity of 99,999.99 hrs. 1.9"W (48.3mm) x 1.6"L (40.6mm). UL recognized, CSA certified.



Catalog-No.	AC Hourmeters	Weight	VPE	EDP-No.
711-0020	(90F8443) 120V AC / 60Hz	210g	10/1	
711-0019	(90F8444) 120V AC / 60Hz	210g	10/1	

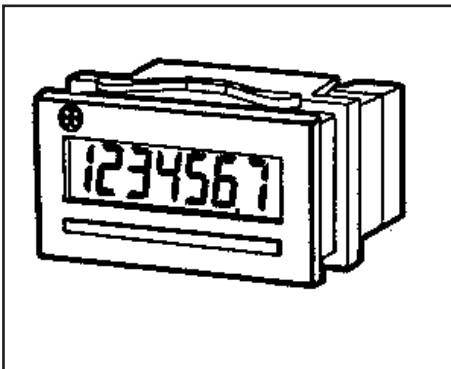
6 digit Cat.No. 711-0019 (99,999.9 Hrs.) resettable or 7 digit Cat.No. 711-0020 (99,999.99) non-reset, flush mount, AC hourmeter, 15" (381mm) leads, 2 watts (nominal), 1.98" (50.3mm) x 0.99" (25.2mm) panel cutout, snap-in or bracket retainer, UL recognized.



Catalog-No.	Digital Switch Hourmeter	Weight	VPE	EDP-No.
5320-0100	(66F1120) Non-Voltage Input	270g	10/1	

999999.9 hrs. max, Non-Voltage (switch) Input, Manual and Remote Reset

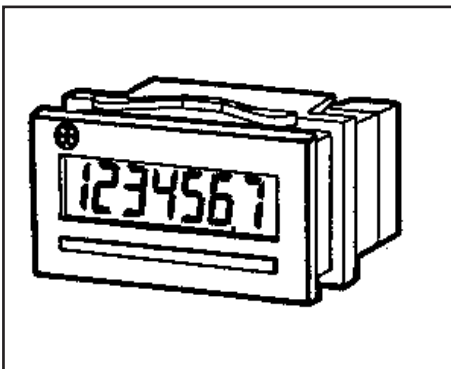
New "Eagle" family of digital electronic hourmeters use innovative technology to provide unparalleled accuracy and reliability over a wide range of applications. Positive locking mounting clip and compact size make it ideally suited for control panels, instrumentation assemblies, business machines or wherever space is a concern. Panel cutout 1.79" (45.5mm) x 0.89" (22.6mm). 7 figures, 0.315" (8.0mm) high LCD display. Up to 30 years life with lithium battery. Termination: terminal block. UL recognized, CSA certified.



Catalog-No.	Digital DC Hourmeter	Weight	VPE	EDP-No.
5320-1000	(66F1121) 3-30V DC Input	270g	10/1	

999999.9 hrs. max, 3-30V DC Input, Remote Reset Hourmeter

New "Eagle" family of digital electronic hourmeters use innovative technology to provide unparalleled accuracy and reliability over a wide range of applications. Positive locking mounting clip and compact size make it ideally suited for control panels, instrumentation assemblies, business machines or wherever space is a concern. Panel cutout 1.79" (45.5mm) x 0.89" (22.6mm). 7 figures, 0.315" (8.0mm) high LCD display. Up to 30 years life with lithium battery. Termination: terminal block. UL recognized, CSA certified.



Catalog-No.	Digital AC/DC Hourmeter	Weight	VPE	EDP-No.
5320-2000	(66F1121) 6-250V AC/DC Input	270g	10/1	

999999.9 hrs. max, 6-250V AC/DC Input, Remote Reset Hourmeter

New "Eagle" family of digital electronic hourmeters use innovative technology to provide unparalleled accuracy and reliability over a wide range of applications. Positive locking mounting clip and compact size make it ideally suited for control panels, instrumentation assemblies, business machines or wherever space is a concern. Panel cutout 1.79" (45.5mm) x 0.89" (22.6mm). 7 figures, 0.315" (8.0mm) high LCD display. Up to 30 years life with lithium battery. Termination: terminal block. UL recognized, CSA certified.

