

### POWER SUPPLY CORDS

#### PVC JACKETED

### TYPE H05VV-F

#### BS 1363

#### CORD APPLICATIONS

- Business Machines
- Point-Of-Sale Terminals
- Computers, Peripheral Equipment
- OEM Equipment

#### COUNTRY SPECIFICATION

- United Kingdom

#### CHARACTERISTICS

##### Operating Temperature:

- 70°C, Harmonized

##### Voltage Rating:

- 250 Volt

##### Color Description:

- Color Code: CEE  
Brown, Blue, Green/Yellow
- Jacket Color: BB = Black  
(Custom design colors available on request)

#### PRODUCT DESCRIPTION

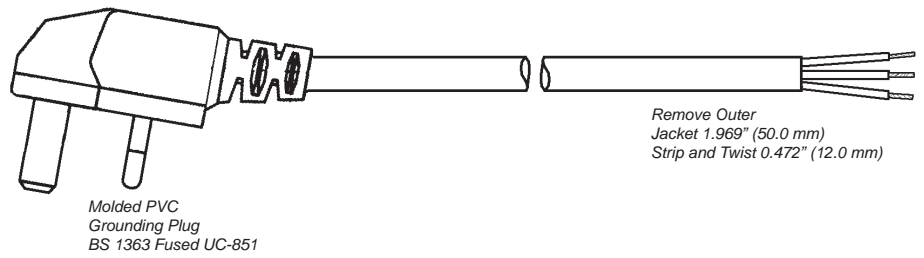
- Conductor:  
Stranded Bare Copper
- Insulation: Color-Coded PVC
- Jacket: PVC

#### PLUG SPECIFICATIONS

- BS 1363

#### AVAILABILITY

- 50 Piece Packages as indicated
- Small quantities available for stock items, subject to minimum order amount



#### H05VV-F, UNSHIELDED

Catalog Number	Rating	Size & Cond.	Color Code	Length	Nominal Ø	Pack	Wght/ea
8500-25M-BB	10A/250V	1.0 mm <sup>2</sup> x 3C	CEE	8.2ft / 2.5m	6.9mm	50	310g
8501-25M-BB	13A/250V	1.5 mm <sup>2</sup> x 3C	CEE	8.2ft / 2.5m	8.94mm	50	355g

Standard bulk packaged

Further items available on special request.

#### UC-851

##### BS 1363, BSI

British Fused Male Grounding Plug

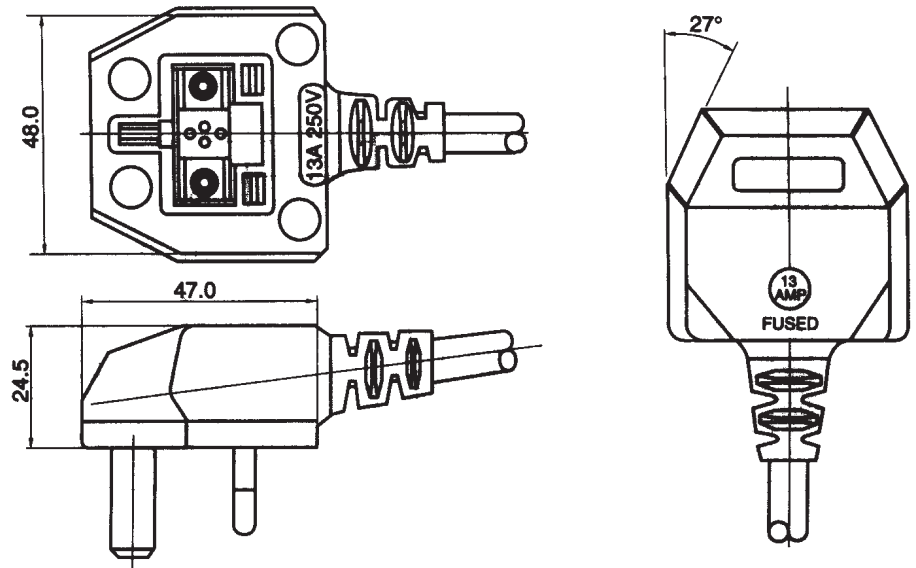
##### 13A, 250V

(Fuse available also e.g. in 5A, 10A, or 13A)

Available wire:

Type	Size
H03VVH2-F	2 x 0.75 mm <sup>2</sup>
H05VV-F	2 or 3 x 0.75 mm <sup>2</sup> 3 x 1.0 mm <sup>2</sup> 3 x 1.25 mm <sup>2</sup> 3 x 1.5 mm <sup>2</sup>
H05RN-F	2 x 0.75 mm <sup>2</sup>
H05RR-F	3 x 0.75 mm <sup>2</sup>
H05RT-F	3 x 0.75 mm <sup>2</sup> 3 x 1.0 mm <sup>2</sup>

#### Standard Put-Up's:



### POWER SUPPLY CORDS

#### PVC JACKETED

### TYPE H05VV-F

#### BS 1363, BS 4491

#### CORD APPLICATIONS

- Business Machines
- Point-Of-Sale Terminals
- Computers, Peripheral Equipment
- OEM Equipment

#### COUNTRY SPECIFICATION

- United Kingdom

#### CHARACTERISTICS

##### Operating Temperature:

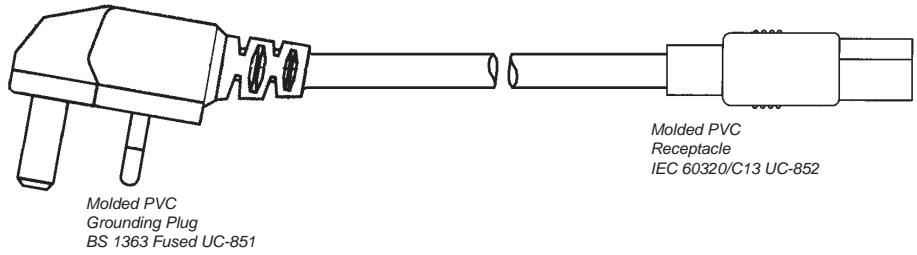
- 70°C, Harmonized

##### Voltage Rating:

- 250 Volt

##### Color Description:

- Color Code: CEE  
Brown, Blue, Green/Yellow
- Jacket Color: BB = Black  
(Custom design colors available on request)



#### H05VV-F, UNSHIELDED

Catalog Number	Rating	Size & Cond.	Color Code	Length	Nominal Ø	Pack	Wght/ea
8550-25M-BB	10A/250V	1.0 mm <sup>2</sup> x 3C	CEE	8.2ft / 2.5m	6.9mm	50	330g (with 10A Fuse)

Standard bulk packaged

#### PRODUCT DESCRIPTION

- Conductor:  
Stranded Bare Copper
- Insulation: Color-Coded PVC
- Jacket: PVC

Further items available on special request.

#### PLUG SPECIFICATIONS

- BS 1363, BS 4491

#### AVAILABILITY

- 50 Piece Packages as indicated
- Small quantities available for stock items, subject to minimum order amount

#### Standard Put-Up's:



### UC-852

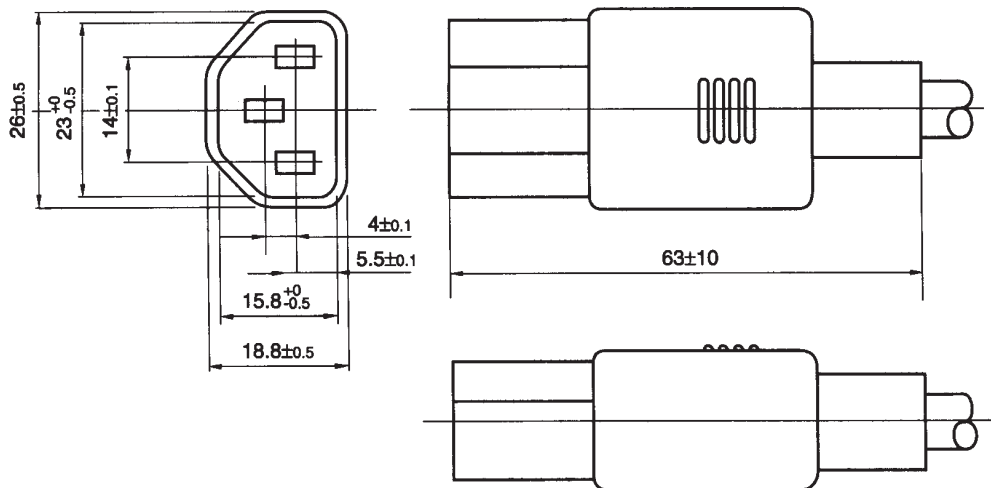
#### BS 4491, BSI

British IEC 320/C13 Connector

#### 13A, 250V

Available wire:

Type	Size
H05VV-F	0.75 mm <sup>2</sup>
	1.0 mm <sup>2</sup>



\*also available „hot“ on H05RR-F 0.75 mm<sup>2</sup> and 1.0 mm<sup>2</sup>

### POWER SUPPLY CORDS

#### PVC JACKETED

### TYPE H05VV-F

#### SABS 164/1980

#### CORD APPLICATIONS

- Business Machines
- Point-Of-Sale Terminals
- Computers, Peripheral Equipment
- OEM Equipment

#### COUNTRY SPECIFICATION

- South Africa, India

#### CHARACTERISTICS

##### Operating Temperature:

- 70°C

##### Voltage Rating:

- 250 Volt

##### Color Description:

- Color Code: CEE  
Brown, Blue, Green/Yellow
- Jacket Color: BB = Black  
(Custom design colors available on request)

#### PRODUCT DESCRIPTION

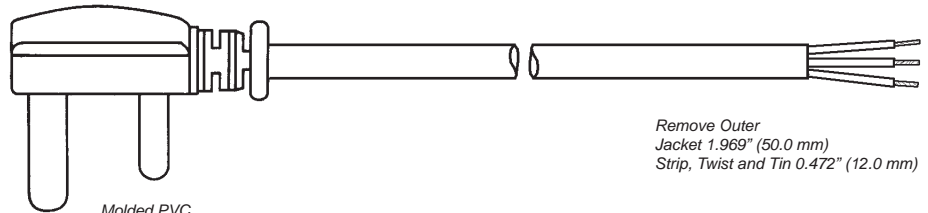
- Conductor:  
Stranded Bare Copper
- Insulation: Color-Coded PVC
- Jacket: PVC

#### PLUG SPECIFICATIONS

- SABS 164/1980

#### AVAILABILITY

- 50 Piece Packages as indicated
- Small quantities available for stock items, subject to minimum order amount



Molded PVC  
Grounding Plug  
SABS 164/1980 UC-871

Remove Outer  
Jacket 1.969" (50.0 mm)  
Strip, Twist and Tin 0.472" (12.0 mm)

### H05VV-F, UNSHIELDED

Catalog Number	Rating	Size & Cond.	Color Code	Length	Nominal Ø	Pack	Wght/ea
8700-25M-BB	10A/250V	1.0 mm <sup>2</sup> x 3C	CEE	8.2ft / 2.5m	7.1mm	50	310g

Standard bulk packaged

Further items available on special request.

### UC-871

#### BS546

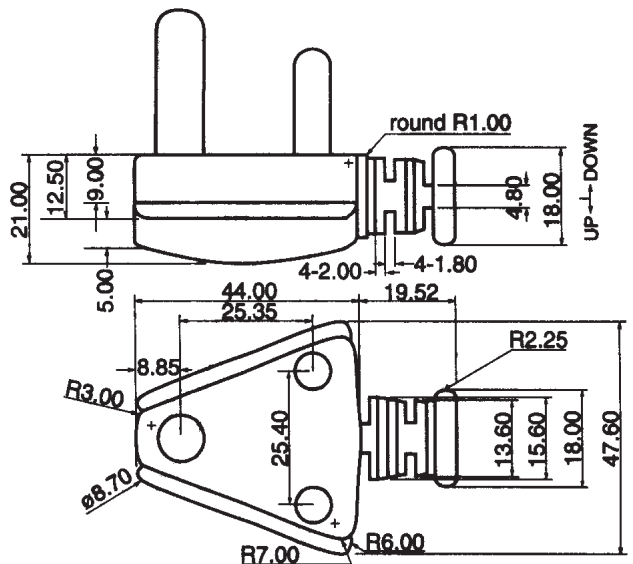
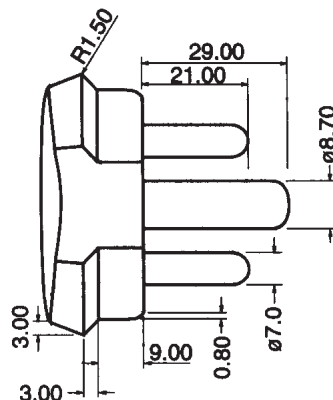
#### SABS 164/1980

Old Style British Grounding Plug,  
BS 546, Right Angle

#### 16A, 250V

Available wire:

Type	Size
H03VV-F	0.75 mm <sup>2</sup>
H05VV-F	0.75 mm <sup>2</sup> 1.0 mm <sup>2</sup> 1.5 mm <sup>2</sup>
H03RT-F	0.75 mm <sup>2</sup> 1.0 mm <sup>2</sup> 1.5 mm <sup>2</sup>



### POWER SUPPLY CORDS

#### PVC JACKETED

### TYPE H05VV-F

#### SABS 164/1980

#### CORD APPLICATIONS

- Business Machines
- Point-Of-Sale Terminals
- Computers, Peripheral Equipment
- OEM Equipment

#### COUNTRY SPECIFICATION

- South Africa, India

#### CHARACTERISTICS

##### Operating Temperature:

- 70°C

##### Voltage Rating:

- 250 Volt

##### Color Description:

- Color Code: CEE  
Brown, Blue, Green/Yellow
- Jacket Color: BB = Black  
(Custom design colors available on request)

#### PRODUCT DESCRIPTION

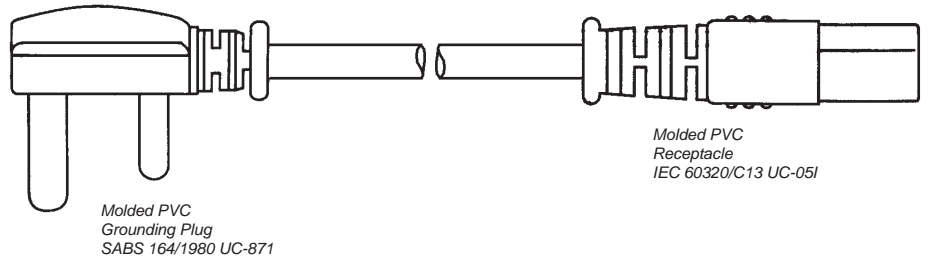
- Conductor:  
Stranded Bare Copper
- Insulation: Color-Coded PVC
- Jacket: PVC

#### PLUG SPECIFICATIONS

- SABS 164/1980

#### AVAILABILITY

- 50 Piece Packages as indicated
- Small quantities available for stock items, subject to minimum order amount



### H05VV-F, UNSHIELDED

Catalog Number	Rating	Size & Cond.	Color Code	Length	Nominal Ø	Pack	Wght/ea
8750-25M-BB	10A/250V	1.0 mm <sup>2</sup> x 3C	CEE	8.2ft / 2.5m	7.1mm	50	355g

Standard tied loop hank

Further items available on special request.

#### Standard Put-Up's:



### UC-05I

#### IEC 320/C13 AS 3109/C13

Female Connector  
VDE, DEMKO, SEMKO, NEMKO, FIMKO,  
KEMA, SEV, ÖVE, CEBEC, UTE, IMQ, SAA

#### 10A, 250V

Available wire:

Type	Size
H03VV-F	0.75 mm <sup>2</sup>
H05VV-F	0.75 mm <sup>2</sup> 1.0 mm <sup>2</sup>
SAA Ord. Duty	0.75 mm <sup>2</sup> 1.0 mm <sup>2</sup>

