

Wiring Devices, German "TERKO"

250V AC/DC; 16A max.

The System with the Angle Contact Pins

TERKO wiring devices 2-pole 3-wire grounding, 16 Amp, 250 Volts are suitable wherever the line current is to be separated or where the voltage and frequency differs from the standard, respectively where confusion must be impossible, for example in hospitals, in computer networks and emergency power plants.

The angle contacts makes the change of polarisation impossible and safes the equipment.

TERKO wiring devices are suitable for alternate (AC) and direct current (DC) applications.

Manufactured in accordance with VDE 0620.

Surface or flush receptacle, plug or connector and surface receptacle for wet location available.



2310W with 2511W

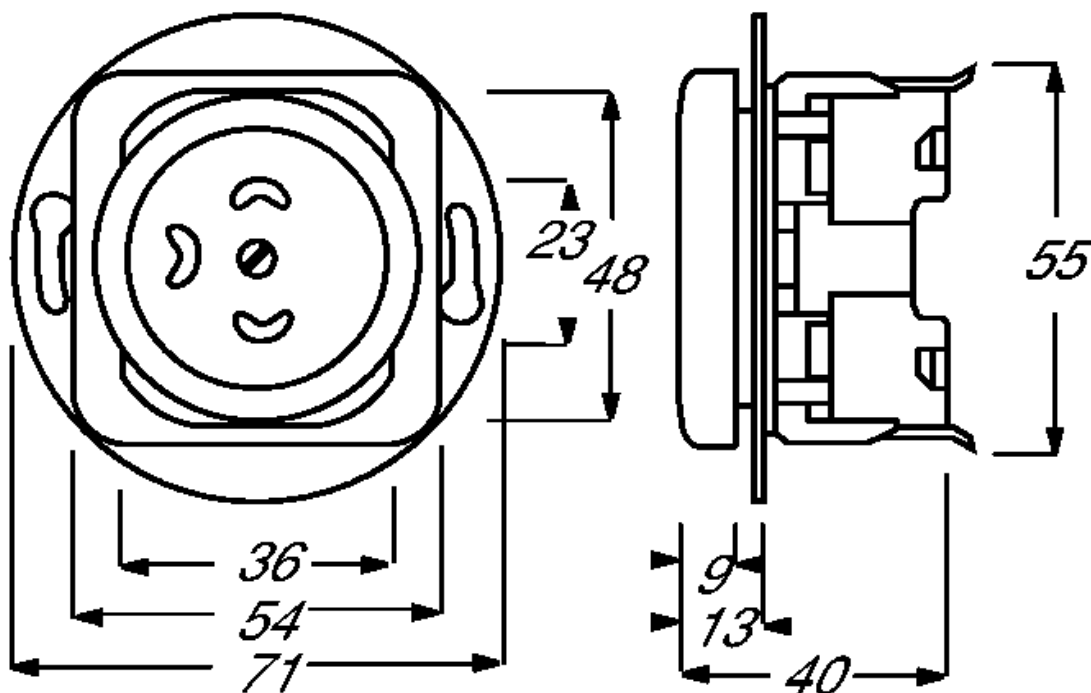


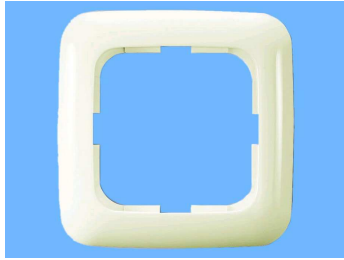
Combination with Switch



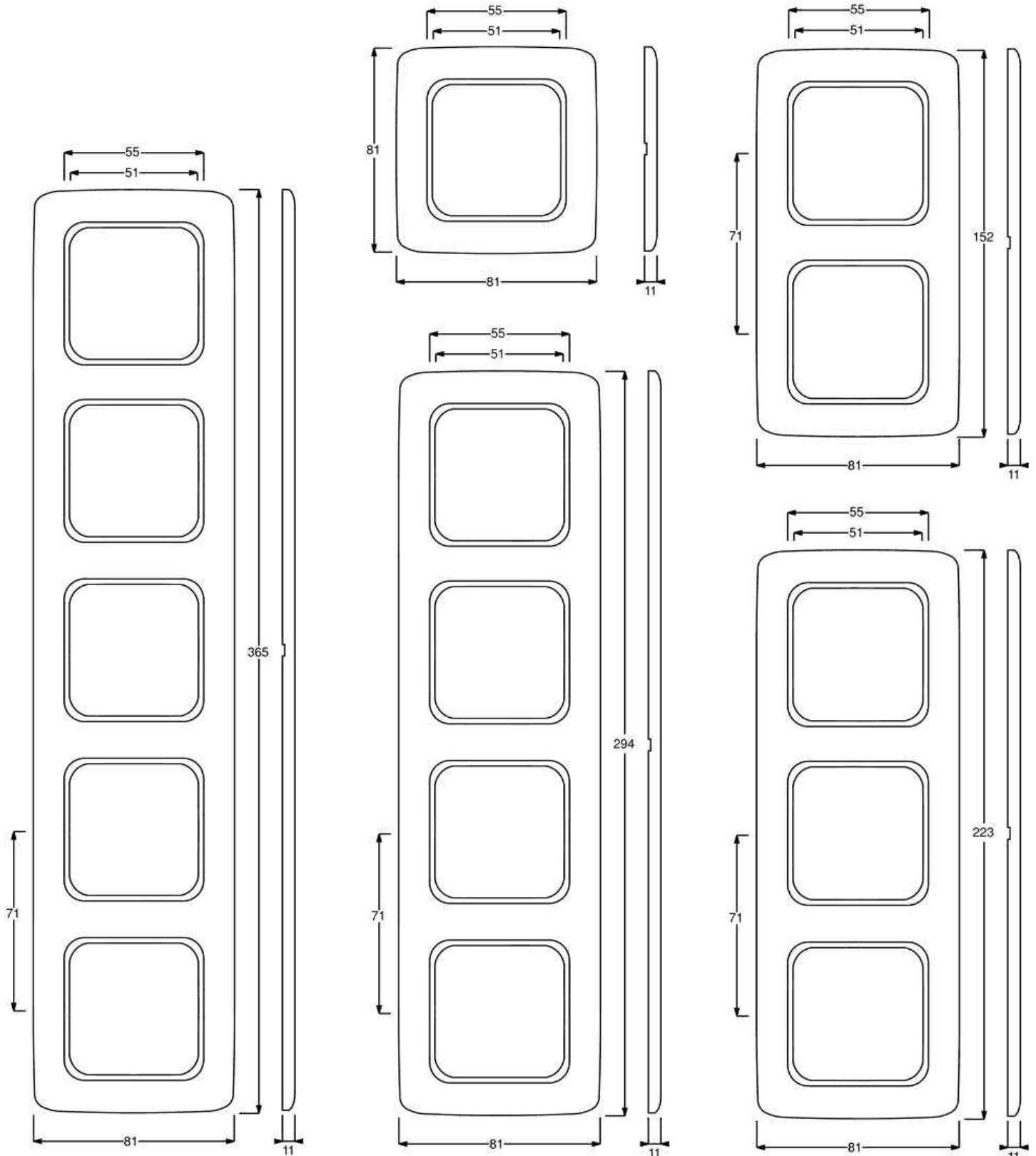
Catalog No.	Description	EDP-No.
2310W	TERKO Flush Mounting Combination Receptacles, 2-Pole 3-Wire Grounding, 16 Amp, 250 Volt, White	104857

For use in special electrical circuits wherever the line current or voltage and frequency is to be separated from the usual electrical circuit. Suitable for AC and DC applications. Suitable for special electrical circuits according VDE 0100 G 7.76 §31a 2.1.





Catalog No.	Description	EDP-No.
2511W	1 Gang Wallplate, White (shown)	109969
2512W	2 Gang Wallplate, White (vertical or horizontal mounting)	109968
2513W	3 Gang Wallplate, White (vertical or horizontal mounting)	109957
2514W	4 Gang Wallplate, White (vertical or horizontal mounting)	109970
2515W	5 Gang Wallplate, White (vertical or horizontal mounting)	109971





Catalog No.	Description	EDP-No.
1719W	Wallplate, White, with Hinged Lid (approved for sports facilities)	116652



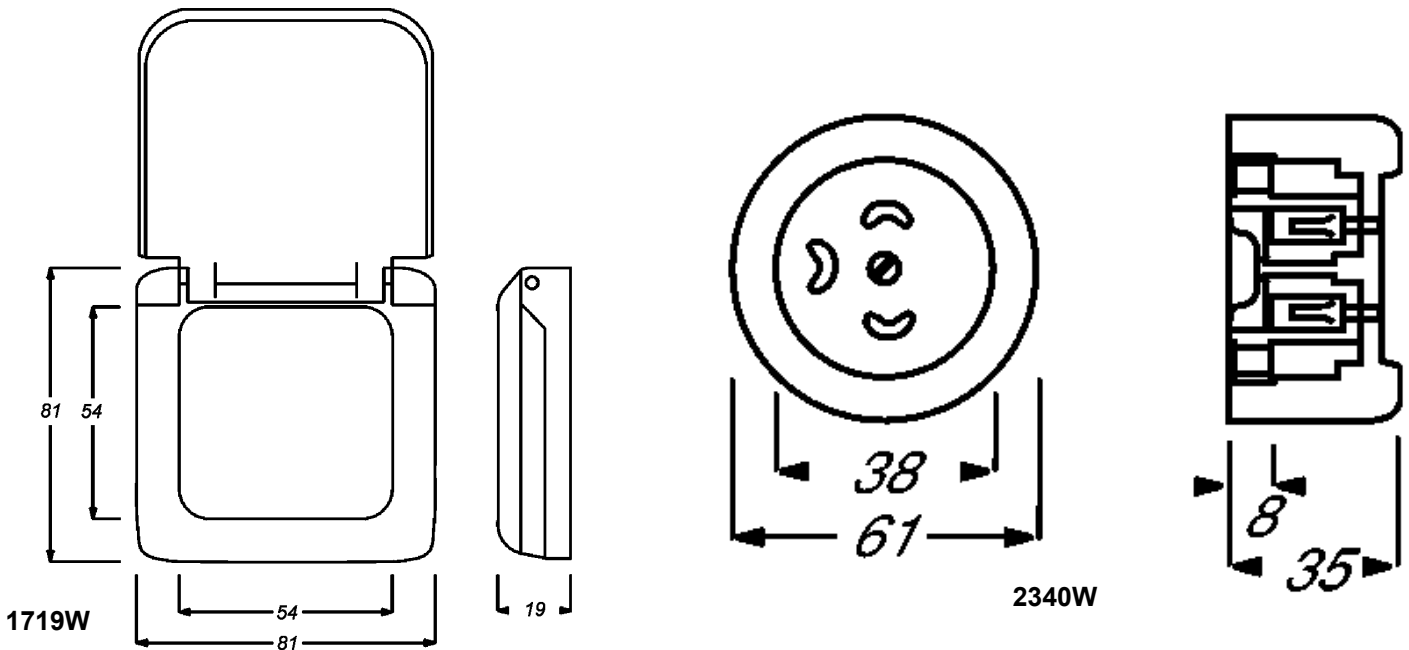
Catalog No.	Description	EDP-No.
2340W	TERKO Surface Mounting Receptacles, 2-Pole 3-Wire Grounding, 16 Amp, 250 Volt	104858

For use in special electrical circuits wherever the line current or voltage and frequency is to be separated from the usual electrical circuit. Suitable for AC and DC applications. Suitable for special electrical circuits according VDE 0100 G 7.76 §31a 2.1.



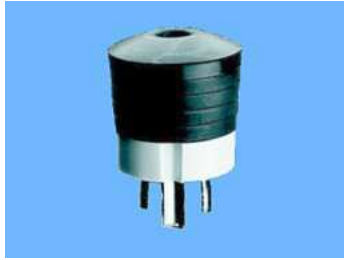
Catalog No.	Description	EDP-No.
2381G	TERKO Surface Receptacle, 2P+E, 16A/250V, Gray, with Hinged Lid, Weather Proteted (IP 44 – if used with Plug #2390/45)	104861

For use in special electrical circuits wherever the line current or voltage and frequency is to be separated from the usual electrical circuit. Suitable for AC and DC applications. Suitable for special electrical circuits according VDE 0100 G 7.76 §31a 2.1.



To learn more about B-I-A please visit us at our
WEB site: www.BiaGmbH.com





Catalog No.	Description	EDP-No.
2390/45	TERKO Plug, 2P+E, 16A/250V, Center Cable Entry, Black Rubber Cap, IP 44	104860

For use in special electrical circuits wherever the line current or voltage and frequency is to be separated from the usual electrical circuit. Suitable for AC and DC applications. Suitable for special electrical circuits according VDE 0100 G 7.76 §31a 2.1.



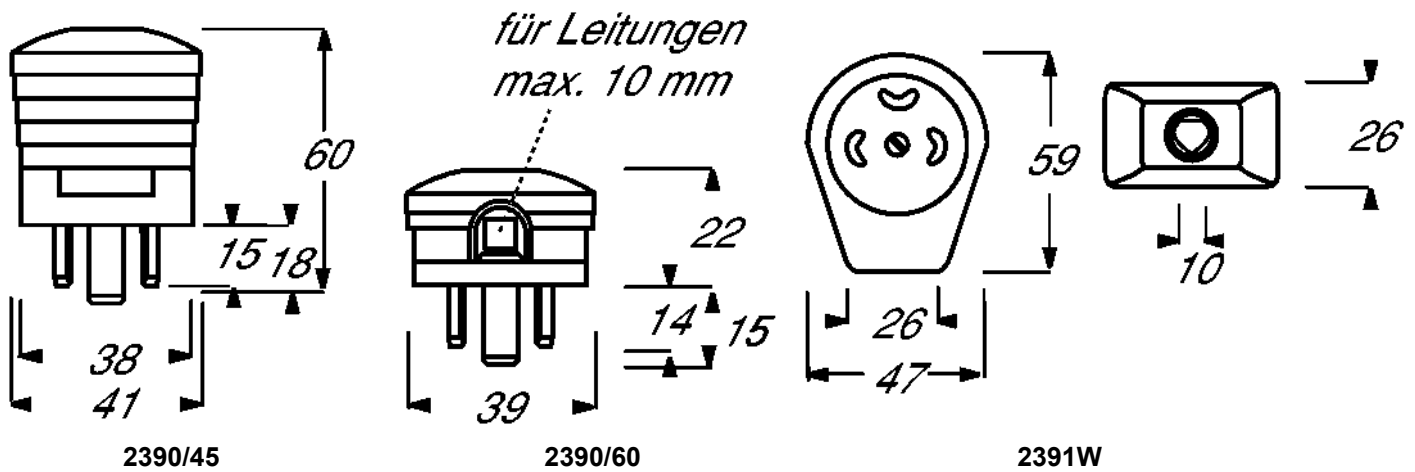
Catalog No.	Description	EDP-No.
2390/60	TERKO Plug, 2P+E, 16A/250V, White, Side Cable Entry	104859

For use in special electrical circuits wherever the line current or voltage and frequency is to be separated from the usual electrical circuit. Suitable for AC and DC applications. Suitable for special electrical circuits according VDE 0100 G 7.76 §31a 2.1.



Catalog No.	Description	EDP-No.
2391W	TERKO Connector, 2P+E, 16A/250V, White, Side Cable Entry	104862

For use in special electrical circuits wherever the line current or voltage and frequency is to be separated from the usual electrical circuit. Suitable for AC and DC applications. Suitable for special electrical circuits according VDE 0100 G 7.76 §31a 2.1.



To learn more about B-I-A please visit us at our
WEB site: www.BiaGmbH.com

