

Catalog-No.	Permanent Magnet DC Motors	Weight	VPE	EDP-No.
4Z145	[A] 12V DC, 1750 RPM, 37W 24V DC, 4200 RPM, 83W	1820g	10/1	111334
4Z144	[B] 12V DC, 1750 RPM, 53W 24V DC, 3900 RPM, 124W	2860g	10/1	111335
4Z143	[B] 12V DC, 1750 RPM, 107W 24V DC, 3900 RPM, 186W	4040g	10/1	111336
4Z529	[B] 12V DC, 1800 RPM, 124W 24V DC, 4200 RPM, 249W	4540g	10/1	111337
1Z835	[C] 12V DC, 1800 RPM, 17W 24V DC, 4300 RPM, 41W	1270g	10/1	111338
4Z142*	[A] 90V DC, 1800 RPM, 28W	1590g	10/1	111339
4Z141*	[B] 90V DC, 1800 RPM, 41W	2860g	10/1	111340
4Z140*	[B] 90V DC, 1800 RPM, 93W	4130g	10/1	111341
4Z528*	[B] 90V DC, 1800 RPM, 124W	4540g	10/1	111342
1Z837*	[C] 90V DC, 2500 RPM, 14W	1270g	10/1	111343
1Z840*	[B] 180V DC, 2350 RPM, 53W	2950g	10/1	111344
1Z842*	[B] 180V DC, 1800 RPM, 93W	4090g	10/1	111345
1Z851*	[B] 180V DC, 1800 RPM, 124W	4540g	10/1	111346

**Typical Applications:**

Low voltage machines, pumps, fans, chemical feeders, and other applications.

**Features:**

- Externally replaceable brushes
- DC type permanent magnet
- Ball bearings
- All-position mounting, face and base
- TENV enclosure
- Ambient temperature 40°C
- Copper windings
- Service factor 1.0
- Insulation class B
- Continuous duty
- Rotation CW/CCW
- Black finish

**Typische Anwendungsgebiete:**

Niederspannungsmaschinen, Pumpen, Ventilatoren, chemische Apparate und andere Anwendungen.

**Merkmale:**

- Bürsten von außen auswechselbar
- DC Type permanent Magnet
- kugellagert
- Universalmontage, Flange und Seite
- TENV Gehäuse
- Umgebungstemperatur 40°C
- Kupferwicklungen
- Servicefaktor 1.0
- Isolationsklasse B
- Dauerbetrieb mit gleicher Belastung
- Umdrehung CW/CCW
- schwarze Oberfläche



**Technical Informations:**

Fig.	HP at 12VDC	HP at 24VDC	Nameplate RPM at		Full-Load Torque In.-Lbs.	Overall Length (C)	L1		L2	Full-Load Amps	Ref. No.	Shpg. Wt. (lbs.)
			12VDC	24VDC								
A	1/20	1/9	1750	4200	1.81	6 7/16"	-	-	5.1	4Z145	4.0	
B	1/14	1/6	1750	3900	2.56	6 13/32"	4.42"	4.89"	6.9	4Z144	6.3	
B	1/7	1/4	1750	3900	5.63	8 13/32"	6.42"	6.89"	14.0	4Z143	8.9	
B	1/6	1/3	1800	4200	6.38	9 13/32"	7.42"	7.89"	16.5	4Z529	10.0	
C	1/44	1/18	1800	4300	0.81	5 5/16"	3.50"	-	2.4	1Z835	2.8	

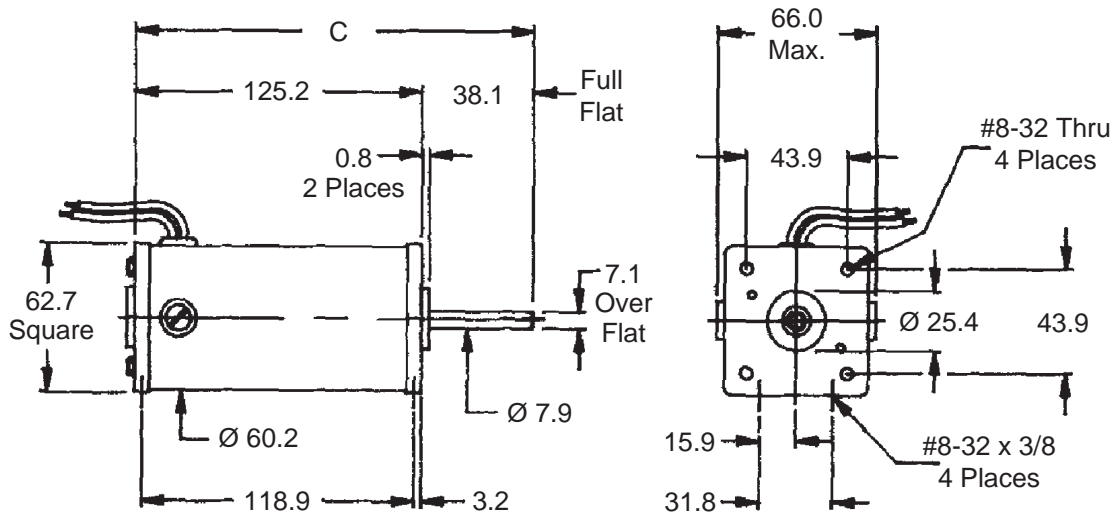
Fig.	HP at 90VDC*	Name-plate RPM	Overall Length (C)	Full-Load Torque In./Lbs.		Full-Load Amps	Full-Load Torque In./Lbs.	Ref. No.	Shpg. Wt. (lbs.)
				L1	L2				
A	1/27	1800	6 7/16"	-	-	0.5	1.30	4Z142	3.5
B	1/18	1800	6 13/16"	4.42"	4.89"	0.75	1.95	4Z141	6.3
B	1/8	1800	8 13/32"	6.42"	6.89"	1.5	4.38	4Z140	9.1
B	1/6	1800	9 1/2"	7.42"	7.89"	1.8	5.63	4Z528	10.0
C	1/53	2500	5 5/16"	-	-	0.26	0.50	1Z837	2.8

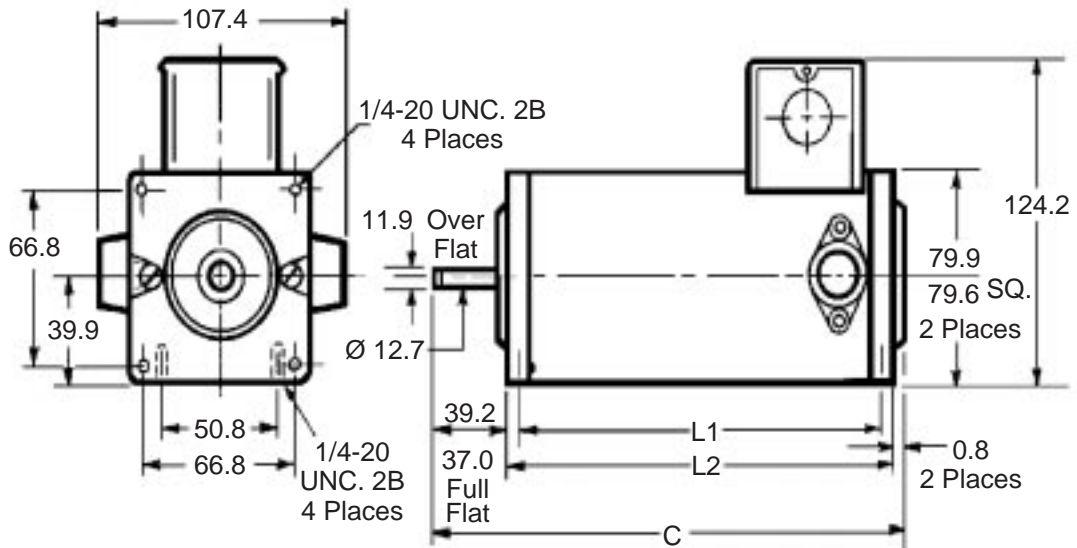
Fig.	HP at 180VDC*	Name-plate RPM	Overall Length (C)	Full-Load Torque In./Lbs.		Full-Load Amps	Full-Load Torque In./Lbs.	Ref. No.	Shpg. Wt. (lbs.)
				L1	L2				
B	1/14	2350	6 13/32"	4.42"	4.89"	0.41	1.95	1Z840	6.5
B	1/8	1800	8 13/32"	6.42"	6.89"	0.68	4.38	1Z842	9.0
B	1/6	1800	9 1/2"	7.42"	7.89"	0.90	5.63	1Z851	10.0

(\* Use with proper control - Informations upon Request - or with other DC rectified power sources matched to voltage (providing Form Factor does not exceed 1.3).

**A**



**B**



**C**

