

USA / Canada 600 Volt Molded Base Type Fuse Blocks for 1 1/2 or 1 3/8 Inch Long Midget Fuses



SPECIFICATIONS

- **Electrical:** Screw terminal, pressure plate terminal, and box lug terminals rated for 30 amperes. Quick Connect (Q.C.) terminals rated for 20 Amps.
- **Dielectric Strength:** 1200V Minimum.
- **Clip / Terminals:** Tin-Plated Copper Alloy.
- **Box Lug:** Copper.
- **Screws and Captive Pressure Plate:** Zinc-Plated Steel.
- **Reinforcing Spring:** Stainless Steel. Contact factory for availability.
- **Base:** Thermoplastic. UL 94V0 flammability rating.
- **Ambient Temperature:** 105°C Maximum.



See document for complete listing.

Catalog No.	Class	Poles	Connector Type	Weight/ea	VPE/Pack	EDP-No.
L60030C-1C	CC	1	Copper Box Lug	38 g	10	115603
L60030C-2C	CC	2	Copper Box Lug	76 g	10	115604
L60030C-3C	CC	3	Copper Box Lug	114 g	10	115605
L60030C-1SQ	CC	1	Screw / Q.C. Terminal	39 g	10	104396
L60030M-1SQ	Midget	1	Screw / Q.C. Terminal	39 g	10	103045

DESCRIPTION

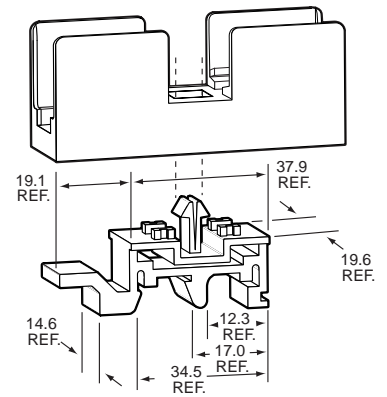
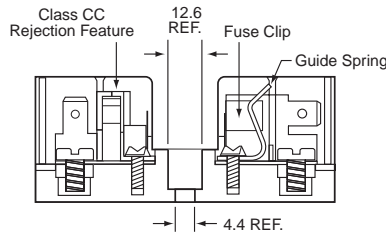
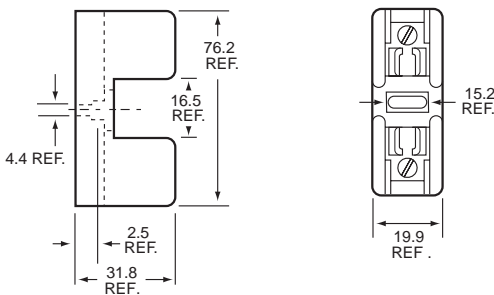
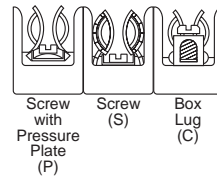
Space-saving, 600 volt, molded base fuse blocks with side barriers for isolation. For use with (ø 10.3 x 38.1)mm (13/32" x 1 1/2") or (ø 10.3 x 34.9)mm (13/32" x 1 3/8") midget fuses. By sliding and locking blocks together, any number of poles can be achieved.

Class CC fuses have a rejection feature on one end cap which mates with the rejection feature of Class CC fuse blocks and fuseholders to prevent the installation of fuses with lower voltage ratings or interrupting ratings.

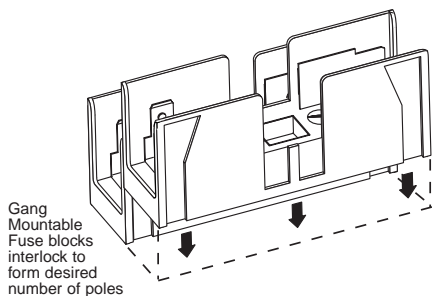
AGENCY APPROVALS

Midget Blocks: Recognized under the Components Program of Underwriters Laboratories. Certified by CSA.

Class CC Blocks: UL Listed. Certified by CSA.



Installation of #FBDIN1 DIN Rail Adapter to fuse block permits assemblies to be snapped to 32mm asymmetrical or 35mm symmetrical ("hat" type) DIN rails.



Gang Mountable Fuse blocks interlock to form desired number of poles

Ordering Information

Catalog Number		Number of Poles	Connector Type	Maximum Wire Size
Midget	Class CC			
L60030M-1C	L60030C-1C	1	Copper Box Lug	# 6 Cu
L60030M-2C	L60030C-2C	2		
L60030M-3C	L60030C-3C	3		
L60030M-1SQ	L60030C-1SQ	1	Screw / Q.C. Terminal	# 10 Cu
L60030M-2SQ	L60030C-2SQ	2		
L60030M-3SQ	L60030C-3SQ	3		
L60030M-1PQ	L60030C-1PQ	1	Pressure Plate / Q.C. Terminal	# 10 Cu
L60030M-2PQ	L60030C-2PQ	2		
L60030M-3PQ	L60030C-3PQ	3		
FBDIN1		DIN-Rail Adapter		