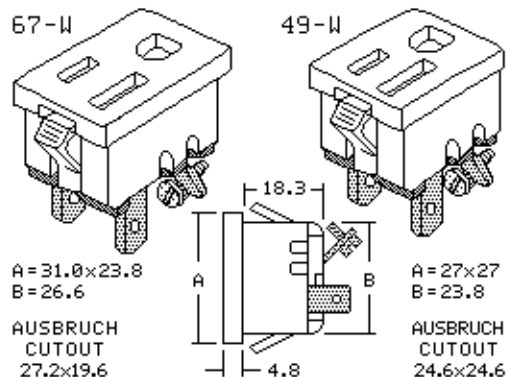
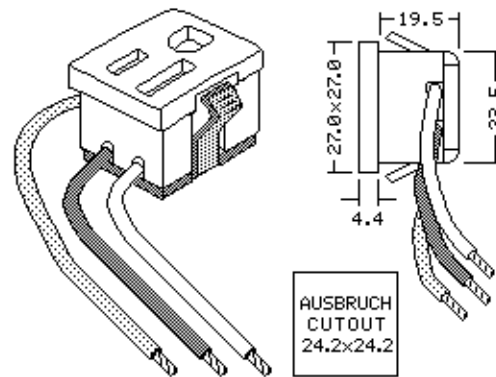


UL CSA

Dimensions
= mm

2-Pole 3-Wire Ground
125V AC-15A, NEMA 5-15R

Einbausteckdose, ein-
schnappbar, Kunststoff

UPE indicates Packing.

Straight Blade Snap-In
Receptacle, Plastic

Cat.No.	Color	A	B	C	D	UPE	Beschreibung / Description
49-BK	Black	27.0x27.0	23.8	18.3	4.8	250	6.3mm Quick Connect Tabs and Grounding Screw Terminal Frontplattenstärke: Panel Thickness: (0.8-1.8)mm
49-W	White	27.0x27.0	23.8	18.3	4.8	250	
67-BK	Black	31.0x23.8	26.6	18.3	4.8	250	6.3mm Quick Connect Tabs and Grounding Screw Terminal Frontplattenstärke: Panel Thickness: (0.8-1.8)mm
67-W	White	31.0x23.8	26.6	18.3	4.8	250	
1374-1	Black	27.0x27.0	23.5	19.5	4.4	100	Wire Leads 152.4mm long, 105°C, Leads: Power AWG 14, Ground AWG 16 Frontplattenstärke: Panel Thickness: (0.8-1.6)mm
1374-1W	White	27.0x27.0	23.5	19.5	4.4	100	