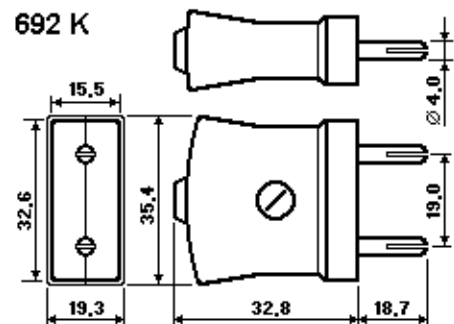


Mains Line Round or Flat Plugs  
without Earthing Contact, 6 Amp.

Round Pin Diameter 4mm

Thermosetting Plastic Type 31/131.5

Standard Color (WH) White,  
(BK) Black or (GY) Gray on Request



Catalog No.	Beschreibung/Description	Wght/ea	UPE/Pack	EDP-No
612-K WH	(KEMA) Round Plug, White	32g	80	108057
670-K WH	(Export only) Round Plug, White	22g	100	108058
692-K WH	(Export only) Flat Plug, White	17g	50	108059