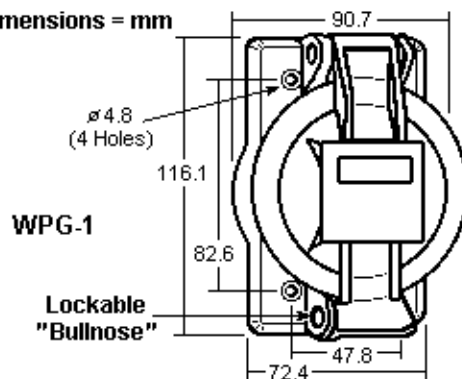


WPG-1

Dimensions = mm



WPG-1

Industrial Weatherproof Covers, Gray,  
for Flanged Inlet/Outlet

UL 514 Standard  
CSA C22.2 42M

- ◆ Unbreakable glass-filled polycarbonate construction to withstand years of job site abuse and harsh environmental exposure. Stainless steel mounting screws also resist corrosion.
- ◆ Lockable "bullnose" for OSHA locktag/tagout compliance.
- ◆ Covers fit all competitive inlets and outlets.
- ◆ Pre-attached gaskets for easy installation and tight seal panel or FS box - with no misaligned or collapsed gaskets.
- ◆ Tamper-proof hinge features permanent, locked-in pins for added security.

Catalog No.	Description	Wght/ea	UPE/Pack	EDP-No
WPG-1	15/20A Straight Blade, 15A Locking, Center Hole Diameter 49.8 mm max.	102g	10	114476
WPG-2	20/30A Locking, #20403 Power Interruptor, Center Hole Diameter 58.9 mm max.	92g	10	114508