



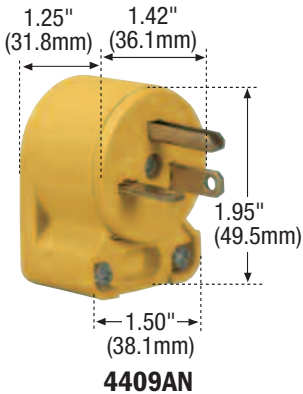
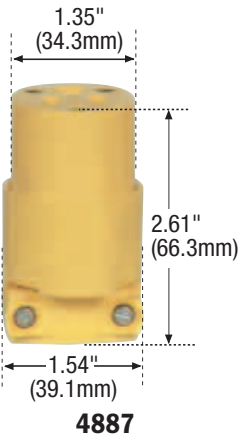
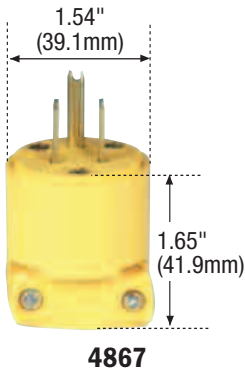
Commercial Specification Grade Plugs and Connectors

2-Pole, 3-Wire Grounding
NEMA 5-15, 15A 125V
NEMA 6-15, 15A 250V
NEMA 5-20, 20A 125V
NEMA 6-20, 20A 250V

Thermoplastic Plugs and Connectors

FEATURES

- Solid brass plug blades are firmly embedded in body.
- Terminal screw clamps are designed to contain wire and prevent binding.
- Terminal screws backed out – ready for wiring.
- Terminals in individual chambers to positively insulate conductors.
- Vinyl angle plugs have eight possible positions for maximum convenience.
- Combination slot/Phillips head mounting and terminal screws ease installation with power screwdrivers (Slot/Robertson screws in Canada where available).



Vinyl Plugs and Connectors

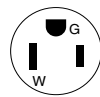
Rating	Rating		Description	Cord Diameter	Catalog No.		
	A	V/AC			NEMA	Color	Plug
15	125	5-15	Straight	0.25"-0.655" (6.35mm-16.64mm)	Yellow	4867	4887
			Angle	0.25"-0.655" (6.35mm-16.64mm)	Yellow	4867AN	
				0.25"-0.655" (6.35mm-16.64mm)	White	4867ANW	
15	250	6-15	Straight	0.25"-0.655" (6.35mm-16.64mm)	Yellow	4866	4227
			Angle	0.25"-0.655" (6.35mm-16.64mm)	Yellow	4866AN	
20	125	5-20	Straight	0.25"-0.655" (6.35mm-16.64mm)	Yellow	4409	4228
			Angle	0.25"-0.655" (6.35mm-16.64mm)	Yellow	4409AN	
20	250	6-20	Straight	0.25"-0.655" (6.35mm-16.64mm)	Yellow	4509	4229
			Angle	0.25"-0.655" (6.35mm-16.64mm)	Yellow	4509AN	

TESTING & CODE COMPLIANCE

- Listed UL 498 (file no. E15012).
- CSA Certified to C22.2 no. 42 (file no. LR2081 (6221-02)).
- NOM Certified.

MATERIAL CHARACTERISTICS

Polypropylene and PVC.
 Environmental:
 Temperature Rating:
 -20°C to 60°C.



5-15P



5-15R



6-15P



6-15R



5-20P



5-20R



6-20P



6-20R