

Southern Europe - Adapter Pins Ø 4 mm to Universal Socket

Adapter Plug „Southern Europe“ from 4 mm Round Pin to Universal Contact, without Protective Shroud

Not for the Export Inside the EU (European Union)

Übergangsstecker „Südeuropa“ von 4 mm Rundstift auf Universalkontakt, ohne Schutzkragen

Nicht für den Export innerhalb der EU (europäischen Union)



104 WH



104 BK

Catalog No.	Color	Description	Weight/ea	VPE/Packed	EDP-No.
104BK	Black	Plug Adapter from 4 mm Pins to Universal Socket	22 g net.	500/50 ea	110464
104WH	White	Plug Adapter from 4 mm Pins to Universal Socket	22 g net.	500/50 ea	110463

NOTE: Only for Export in Non-EU Countries!

SPECIFICATIONS

- Rated Voltage: 125/250V AC max.
- Rated Current: 10 Amp. max.

MATERIAL

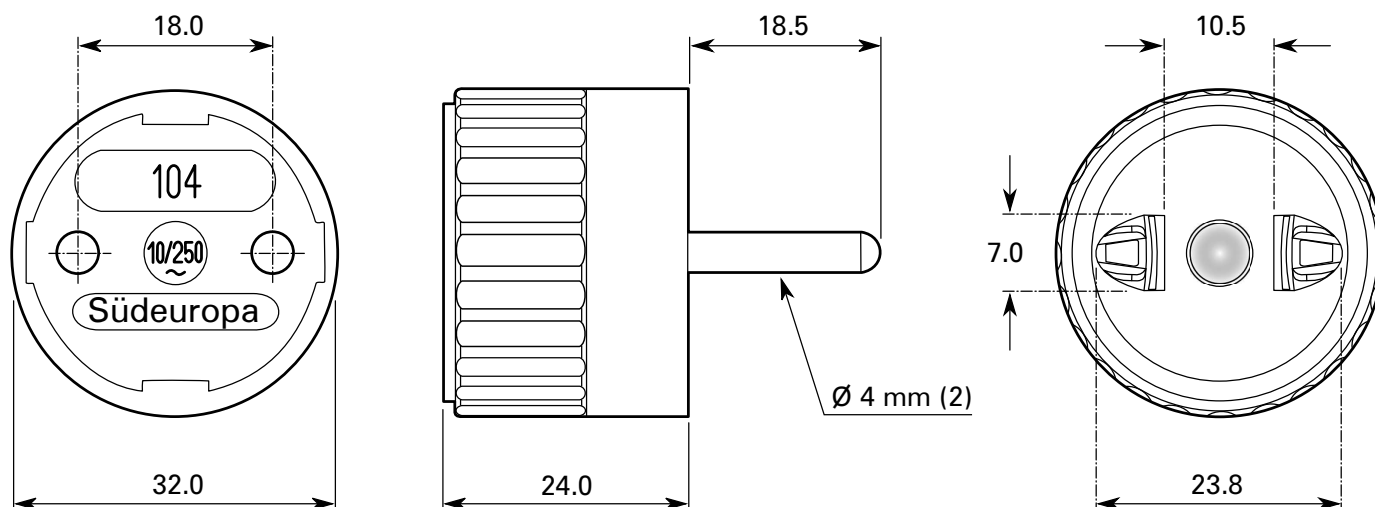
- Terminals: CuZn 37
- Carrying Parts: Polypropylene
- Housing: Urea Moulding Compound Type 131.5 or Phenolic Moulding Compound Type 31

TECHNISCHE DATEN

- Nennspannung: 125/250V AC max.
- Nennstrom: 10 Amp. max.

MATERIAL

- Kontakte: CuZn 37
- Kontaktträger: Polypropylen
- Gehäuse: Harnstoff-Formmasse Typ 131.5 oder Phenolharz-Formmasse Typ 31



Technical Data are Subject to Change without Notice. Dimensions in mm.