

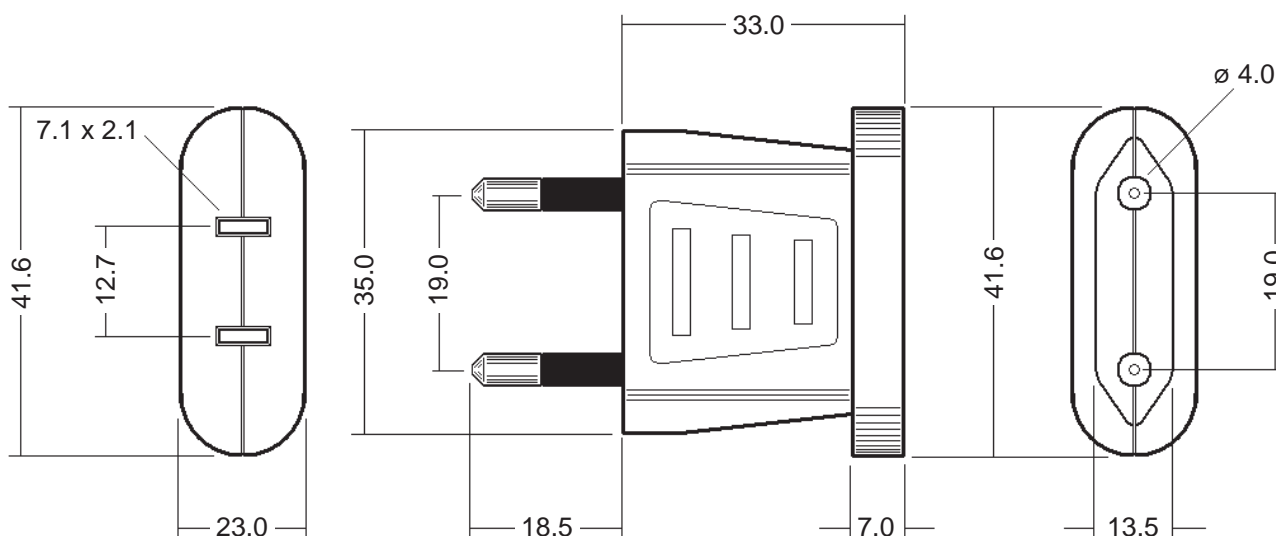
## Europe / USA / Canada / Japan Travel Adaptor, 2-Pins Euro : NEMA 1-15R

Adapter plug, from  $\varnothing$  4 mm round pin  
(EURO-Plug) to American flat pin socket  
NEMA 1-15R socket (used in USA, Canada,  
Japan, South America etc.),  
Material: Thermoplastic

Umwandlungsstecker von  $\varnothing$  4 mm Rundstift (EURO-Stecker) auf amerikanischen Flachstift NEMA 1-15R (verwendet z.B. in USA, Kanada, Japan Südamerika usw.), Thermoplast



Catalog No.	Color	Description	Weight/ea	VPE/Pack	EDP-No.
<b>686N BK</b>	Black	Adapter Plug, 2-Pins EURO : USA	12 g	100	<b>122142</b>
<b>686N WH</b>	White	Adapter Plug, 2-Pins EURO : USA	12 g	100	<b>122143</b>



To learn more about B-I-A please visit us at our  
WEB site: [www.BiaGmbH.com](http://www.BiaGmbH.com)

