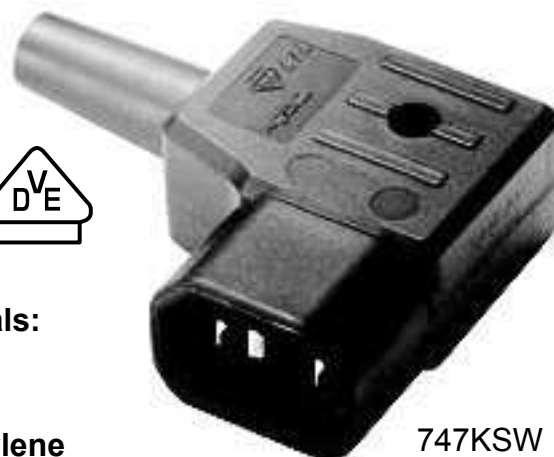


## Europe - Mains Appliance Line Plug, Right Cable Entry, C14

Mains Appliance Line Plug 70°C / 10 A with earthing contact, cable entry right side

*Geräteanschlußstecker 70°C / 10 A mit Schutzkontakt, Kabeleingang rechts*



747KSW

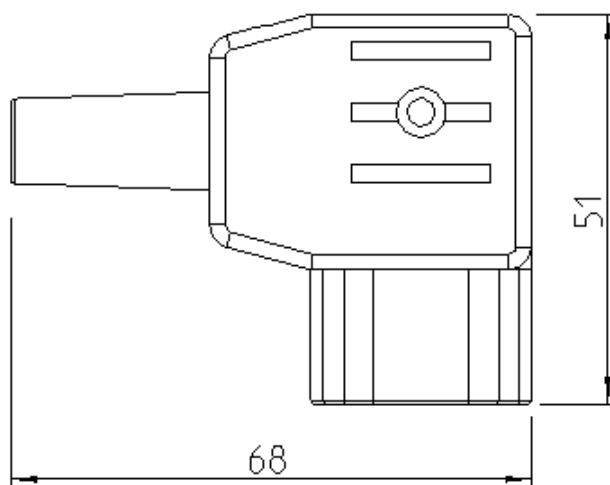
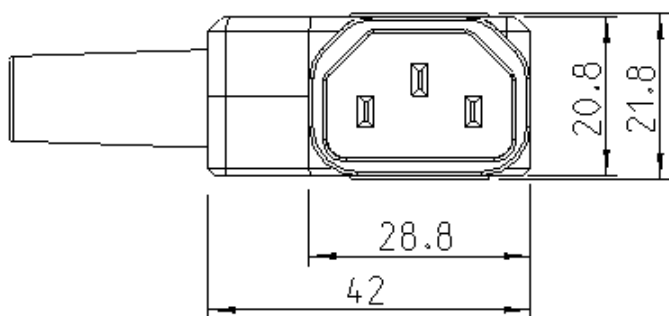
### SPECIFICATIONS

- **Electrical Ratings:** 250V AC, 10A
- **Standards according to:** DIN EN 60320-1 / C 14
- **Material & Type of Terminals:** CuZn 39 (screw terminals)
- **Material of Housing and Carrying Parts:** Polypropylene

| Catalog No.      | Color         | Description   | Weight/ea | VPE/Pack | EDP-No.       |
|------------------|---------------|---|-----------|----------|---------------|
| <b>747KSW</b>    | Black         | Angle Mains Appliance Line Plug, Cable Entry Right Side     | 32 g      | 250 / 25 | <b>123464</b> |
| 747KGR<br>747KWS | Gray<br>White | Standard Color: Black, Gray and White available on Request. |           |          |               |

**Notes:** Rewireable, for supply line H05VV-F 3G1.0 mm<sup>2</sup> and 3G1.5 mm<sup>2</sup>  
Wire Stripping: Neutral & Line 35.0 mm, Ground Wire 65.0 mm

*Wiederanschließbare Ausführung für flexible Leitungen H05VV-F 3G1.0 mm<sup>2</sup> und 3G1.5 mm<sup>2</sup>  
Abisolierung L und N 35,0 mm, PE 65,0 mm*



## Europe - Mains Appliance Line Plug, Left Cable Entry, C14

Mains Appliance Line Plug 70°C / 10 A with earthing contact, cable entry left side

*Geräteanschlußstecker 70°C  
10 A mit Schutzkontakt,  
Kabeleingang links*



748KSW

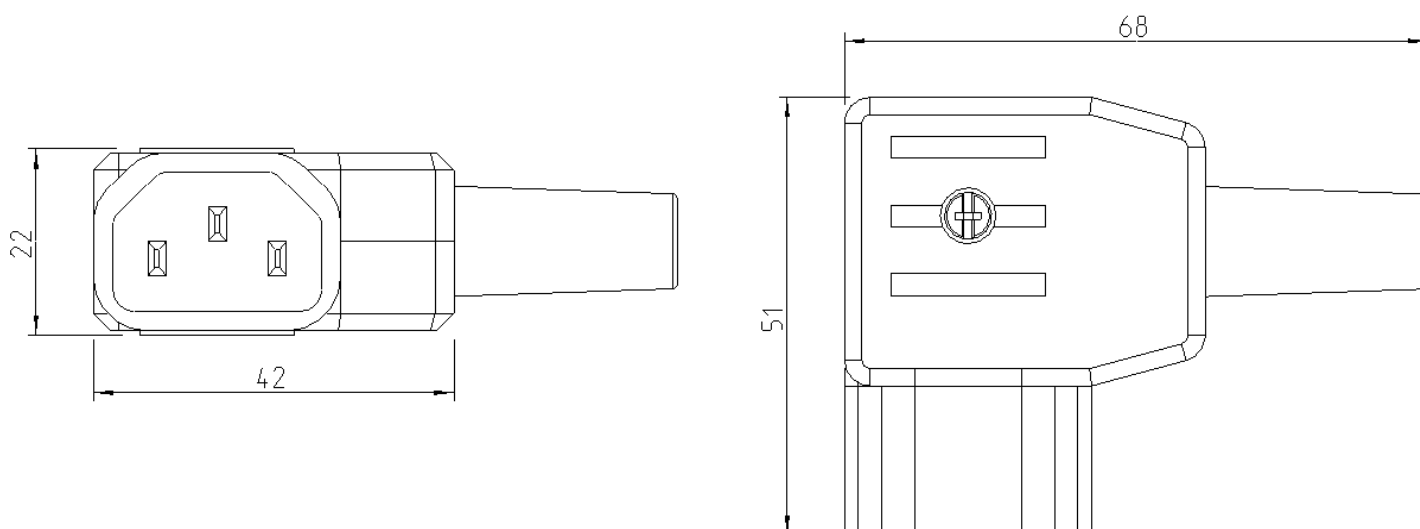
### SPECIFICATIONS

- **Electrical Ratings:** 250V AC, 10A
- **Standards according to:** DIN EN 60320-1 / C 14
- **Material & Type of Terminals:** CuZn 39 (screw terminals)
- **Material of Housing and Carrying Parts:** Polypropylene

| Catalog No.      | Color         | Description   | Weight/ea | VPE/Pack | EDP-No.          |
|------------------|---------------|---|-----------|----------|------------------|
| <b>748KSW</b>    | Black         | Angle Mains Appliance Line Plug, Cable Entry Left Side      | 32 g      | 250 / 25 | <b>114906</b>    |
| 748KGR<br>748KWS | Gray<br>White | Standard Color: Black, Gray and White available on Request. |           |          | 114912<br>114911 |

**Notes:** Rewireable, for supply line H05VV-F 3G1.0 mm<sup>2</sup> and 3G1.5 mm<sup>2</sup>  
Wire Stripping: Neutral & Line 35.0 mm, Ground Wire 65.0 mm

*Wiederanschließbare Ausführung für flexible Leitungen H05VV-F 3G1.0 mm<sup>2</sup> und 3G1.5 mm<sup>2</sup>  
Abisolierung L und N 35,0 mm, PE 65,0 mm*



## Europe - Mains Appliance Line Plug, Straight Cable Entry, C14

Mains Appliance Line Plug 70°C / 10 A with earthing contact, straight cable entry

*Geräteanschlußstecker 70°C  
10 A mit Schutzkontakt,  
Kabeleingang gerade*



749KSW

### SPECIFICATIONS

- **Electrical Ratings:** 250V AC, 10A
- **Standards according to:** DIN EN 60320-1 / C 14
- **Material & Type of Terminals:** CuZn 39 (screw terminals)
- **Material of Housing and Carrying Parts:** Polyamide

| Catalog No.                      | Color                  | Description   | Weight/ea | VPE/Pack | EDP-No.                    |
|----------------------------------|------------------------|---|-----------|----------|----------------------------|
| <b>749KSW</b>                    | Black                  | Angle Mains Appliance Line Plug, Straight Cable Entry       | 28 g      | 500 / 50 | <b>110092</b>              |
| 749KGR<br>749KWS                 | Gray<br>White          | Standard Color: Black, Gray and White available on request. |           |          | 114908<br>114907           |
| 749KSWOT<br>749KGROT<br>749KWSOT | Black<br>Gray<br>White | Available without strain relief on request.                 |           |          | 114905<br>114910<br>114909 |

**Notes:** Rewireable, for supply line H05VV-F 3G1.0 mm<sup>2</sup> and 3G1.5 mm<sup>2</sup>  
Wire Stripping: Neutral & Line 25.0 mm, Ground Wire 40.0 mm

*Wiederanschließbare Ausführung für flexible Leitungen H05VV-F 3G1.0 mm<sup>2</sup> und 3G1.5 mm<sup>2</sup>  
Abisolierung L und N 25,0 mm, PE 40,0 mm*

