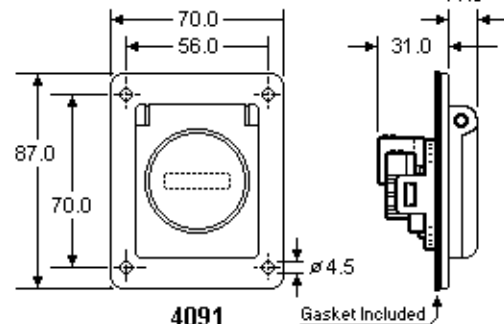


Dimensions = mm

**EMPTY SURFACE MOUNTING BOX - IP44/IP67**

- Supplied with Socket Fastening Screws
- One Threaded (PG 16) Cable Inlet
- One (PG 16) Closing Plug with Seal
- Thermoplastic Material
- RAL 7035 Gray
- IEC 309-1 Series, CE Certified

**PANEL MOUNTING SOCKET OUTLET**

- French Standard (NFC 61-303)
- 2-Pole + Earth Pin, 16A, 250V AC
- With Spring Lid
- Flange (70 x 87)mm
- Supplied with Gasket
- IP44 (IP20 when Cover Open)

Catalog No.	Color	Description	Wght/ea	UPE/Pack	EDP-No
0016 GRY	Gray	Surface Mounting Box used with Flange Devices (70 x 87)mm, Mounting Box Dimensions: (92.0 x 75.0 x 58.0 Height)mm	107g	100/10	108891
4091 BLU	Blue	Panel Mounting Socket French Standard (NFC 61-303)	68g	100/10	116503