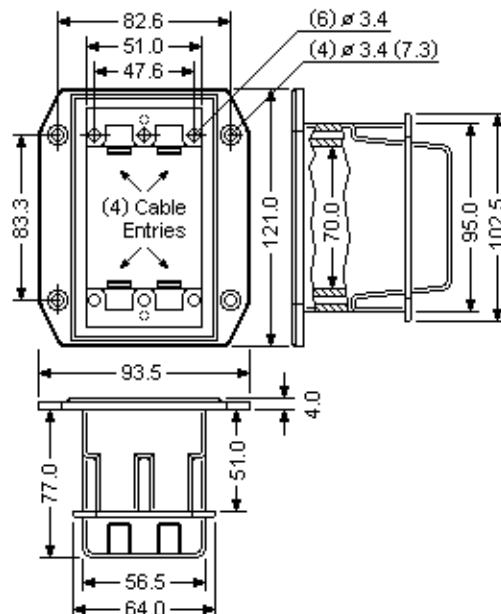


UL Standard 514

NEMA WD-1

FBOX1-GR

Dimensions = mm



FLANGED BOX

FOR USE IN WET OR DAMP LOCATIONS

- Made of non-corrosive, non-staining, thermoplastic.
- Specially designed drip guard (rail) prevents water or moisture from entering box assembly.
- Ridges on front surface of flanged box are engineered to combine with wet location covers to create a positive seal. Sealing compound (caulking) is not required between mounting flange of box and wall surface.

Catalog No.	Color	Description	Wght/ea	UPE/Pack	EDP-No
FBOX1-GR	Gray	Flanged Plastic Box, UL514	126g	10	118242
FBOX1-WH	White	Flanged Plastic Box, UL514	126g	10	118243