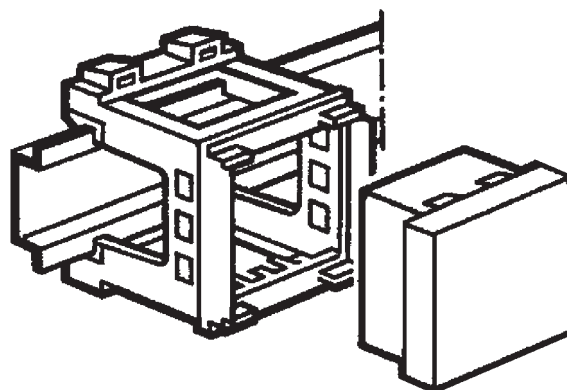


Snap-N-Service

Put a Service Outlet to Your Cabinet...



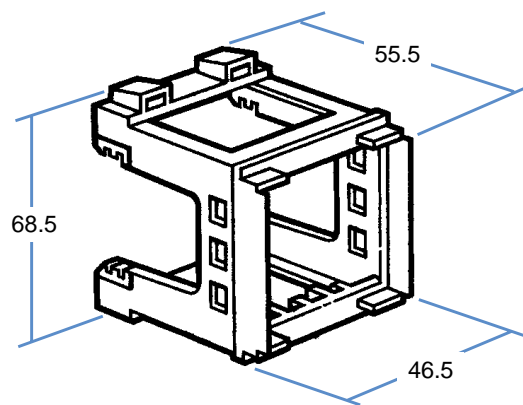
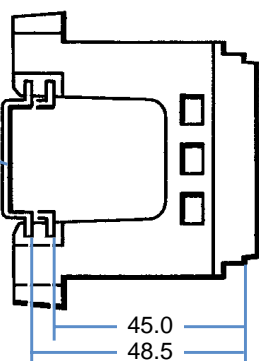
Modular Support Mechanisms

With this special Modul Support Mechanisms, which clip onto 35mm DIN-Rails, you can easily add a wide range of non-modular types of receptacles to your panel board.

| Catalog No. | Description | Weight/ea |
|-------------|--------------------------------|-----------|
| 74872 | Module Support Mechanisms | 17 g |
| 74180 | USA / CANADA Module 2P+E | 39 g |
| 74102 | USA / Europe Universal Socket | 42 g |
| 74101 | USA / Europe 2 Pole Non-Ground | 23 g |
| 74391 | Blanking Plate 1/2 Module | 5 g |

Cat.No. 74872

35mm Symetrical
DIN-Rail



For more informations refer to Document No. **9031**

To learn more about B-I-A please visit us at our
WEB site: www.BiaGmbH.com

