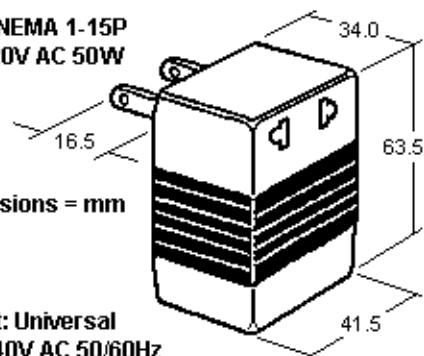


MW50F

Input: NEMA 1-15P  
110/120V AC 50W



Dimensions = mm

Output: Universal  
220/240V AC 50/60Hz

U.S. electricity (110/120V) is different from foreign electricity (220/240V). To use your travel appliances overseas you must use a converter to increase foreign electricity, otherwise your appliance will not operate.

Changes 110V U.S. electricity to 220V foreign electricity for appliances using from 0 to 50 Watts e.g. Answering Machine Device, Tape Recorder, Calculators, Cassettes, Radios, Walkman, Player, Electric Shavers, Camera, Strobes, Recharges AC Adaptor etc.

DO NOT USE 50W Converters to operate travel appliances exceeding 50 Watts !!! e.g. Hair Dryers, Hairsetters, Coffee Cup, Heaters, Irons, Contact Lens Sterilizers, Clothes Steamers etc.

Catalog No.	Description	Wght/ea	UPE/Pack	EDP-No
MW50 F	Travel Voltage Converter, 50 Watts max., converts 110/120V to 220/240V at 50/60Hz, 2 Poles without earthing contact, used in USA/CDN/Japan - converts to Europe etc.	296g	10	115476