

Switzerland - Flush or Panel Mounting Receptacle, 493 Series

Flush - Fitting Mains Socket,
Switzerland Standard, Typ 13

*Einbausteckdose 1-fach,
schweizer Ausführung Typ 13*



493 BK

SPECIFICATIONS

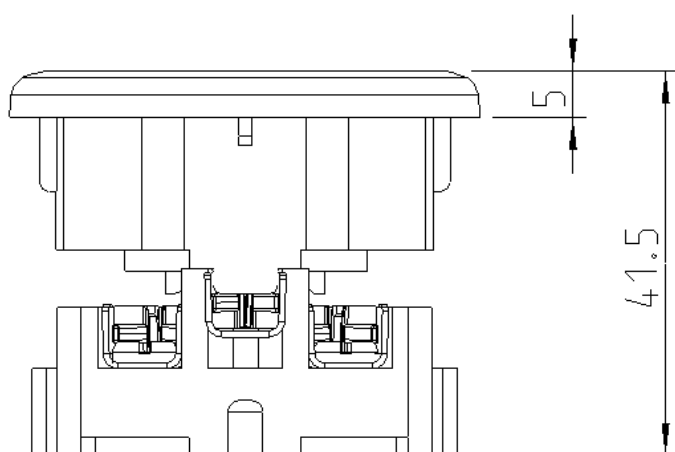
- Electrical Ratings: 250V AC, 10A
- Standards according to: SN SEV 1011, SN SEV 6535
- IP Protection: IP 20
- Material and Type of Terminals: CuZn 37, screw-type
- Material of Housing and Carrying Parts: Polyamide 6

Catalog No.	Color	Description	Weight/ea	VPE/Pack	EDP-No.
493 BK	Black	Flush Mount Receptacle, Typ 13	29 g	30	113188

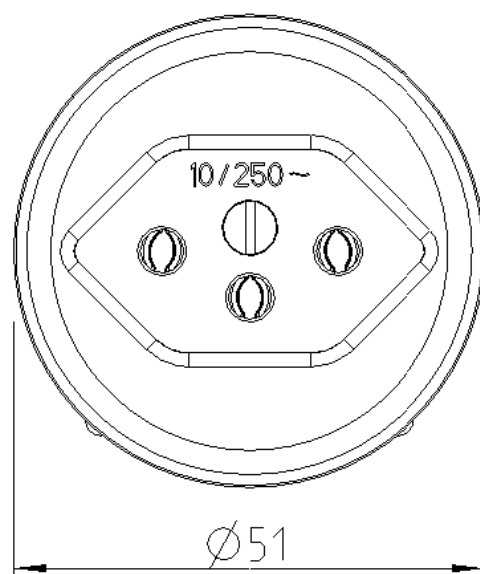
NOTES

- Rewireable, for supply line H05VV-F 3G1.0 mm² and 3G1.5 mm²

Wiederanschließbare Ausführung für flexible Leitungen H05VV-F 3G1.0 mm² und 3G1.5 mm²



Montagedurchbruch
Ø45 mm



Switzerland - Flush or Panel Mounting Receptacle, 494 Series

Flush - Fitting Mains Socket with Earthing Contact, Switzerland Typ 23 / 16 A

Einbausteckdose 1-fach mit Schutzkontakt, schweizer Ausführung Typ 23 / 16 A



494 BK

SPECIFICATIONS

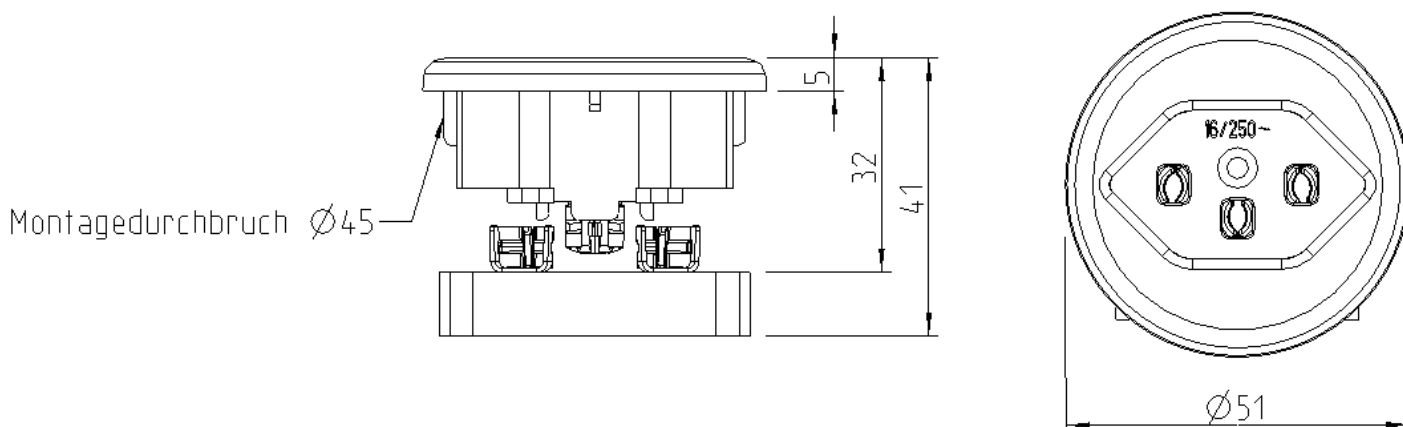
- Electrical Ratings: 250V AC, 16A
- Standards according to: SN SEV 1011, SN SEV 5934-1
- IP Protection: IP 20
- Material and Type of Terminals: CuZn 37, screw-type
- Material of Housing and Carrying Parts: Polyamide 6

Catalog No.	Color	Description	Weight/ea	VPE/Pack	EDP-No.
494 BK	Black	Flush Mount Receptacle, Typ 23	34 g	30	123394
494 WH	White	Flush Mount Receptacle, Typ 23	34 g	30	123395

NOTES

- Rewireable, for supply line H05VV-F 3G1.0 mm² and 3G1.5 mm²

Wiederanschließbare Ausführung für flexible Leitungen H05VV-F 3G1.0 mm² und 3G1.5 mm²



Switzerland - Flush or Panel Mounting Receptacle, 503 Series

Flush - Fitting Mains Socket 3-Way with Earthing Contact, Switzerland Typ 13, with or without Fixing Holes

Einbausteckdose 3-fach mit Schutzkontakt, schweizer Ausführung Typ 13, mit und ohne Befestigungsdomme



503 BK

SPECIFICATIONS

- Electrical Ratings: 250V AC, 10A
- Standards according to: SN SEV 1011, SEV 6535
- IP Protection: IP 20
- Material and Type of Terminals: CuZn 37, screw-type
- Material of Housing and Carrying Parts: Polyamide 6

Catalog No.	Color	Description	Weight/ea	VPE/Pack	EDP-No.
503 BK	Black	Flush Mount Receptacle, 3x Typ 13	31 g	30	123396

NOTES

- Rewireable, for supply line H05VV-F 3G1.0 mm² and 3G1.5 mm²

Wiederanschließbare Ausführung für flexible Leitungen H05VV-F 3G1.0 mm² und 3G1.5 mm²

