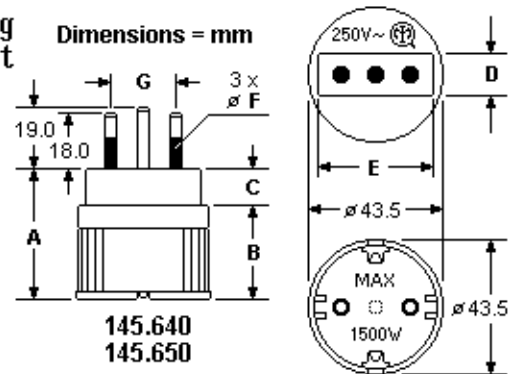


NOTE: Adaptor Plug
does NOT convert
Voltage !



TRAVELPLUG ADAPTOR (2P3W Grounding)

Italy Adaptor

- This plug with three round pins is for use in Italy. This plug is available for 10 Amp. or 16 Amp. applications and uses a German / Europe compatible "SCHUKO" socket with double earthing contact system.

- This adaptor plug must be used only with dual or universal voltage appliances fitted with two pin "EUROPLUG" or with two pin and double earth "SCHUKOPLUG".
- Reference standards: CEI 23-5, VDE 0620
- Sleeved pins
- Engineering plastic casing
- Rated operating voltage 250 Volt AC

Catalog No	Color	Amp	A	B	C	D	E	F \varnothing	G	Wght/ea	UPE/Pack	EDP-No
145.640	White	10A	49.6	34.3	15.3	14.0	32.0	4.0	19.0	35g	500/50	108943
145.640/N	Black	10A	49.6	34.3	15.3	14.0	32.0	4.0	19.0	35g	500/50	108944
145.650	White	16A	45.5	32.5	13.0	16.3	39.8	5.0	26.0	37g	500/50	108946
145.650/N	Black	16A	45.5	32.5	13.0	16.3	39.8	5.0	26.0	37g	500/50	108947