

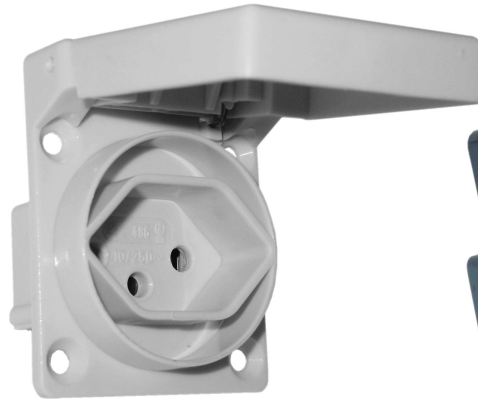
Switzerland - Flush or Panel Mount Sockets, 486 Series

**Flush or Panel Mounting Socket
Outlets with Grounding Contact,
Switzerland Standard Type 13,
with Spring Self-Closing Flap**

Used in Country:
Switzerland

Description:

- Ratings: 10 Amp, 250 Volt AC
- Standard: according to SEV 6535
- RoHS Compliant
- Standard Colors: Black, Grey, White



486GR

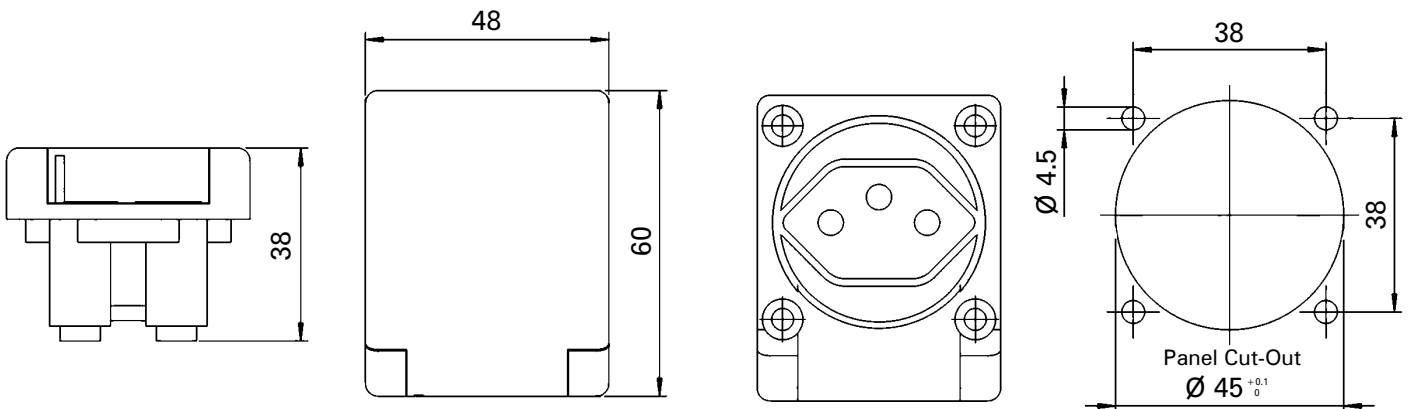


486BK

Catalog No.	Description	Specifications		EDP No.
2 Pole 3 Wire Grounding		Color	Further Specifications	
486BK	Socket Outlet, 10A, 250V AC, 2P + E	Black	Flush or Panel Mounting, SEV Typ 13	114465
486GR	Socket Outlet, 10A, 250V AC, 2P + E	Grey	Flush or Panel Mounting, SEV Typ 13	114468
486WH	Socket Outlet, 10A, 250V AC, 2P + E	White	Flush or Panel Mounting, SEV Typ 13	114466
NOTE: Further Colors and Versions available, depending on quantity. Please contact our sales office.				
Optional Accessories				
096	Sealing Gasket	Black	Used between socket outlet and panel, for Catalog No. 486, 496, 496K, 496R, 496KR, 497, 497K, 497R, and 497KR series.	112945
496-8	Contact Protector, Thermoplastic	Black	For use with Catalog No. 496, 497, 486, and 391 series.	126577

TECHNICAL SPECIFICATIONS:

- Rated Voltage: 250 Volt AC
- Rated Current: 10 Amp.
- Type of Terminals: Screw Terminals
- Material of Terminals: CuZn 37 / Fe
- Carrying Parts: Polyamide 6
- Cover/Housing: Polyamide 6



Technical data and dimensions are subject to change without notice.

Dimensions in mm