

Israel

Angle Mains Line Plug

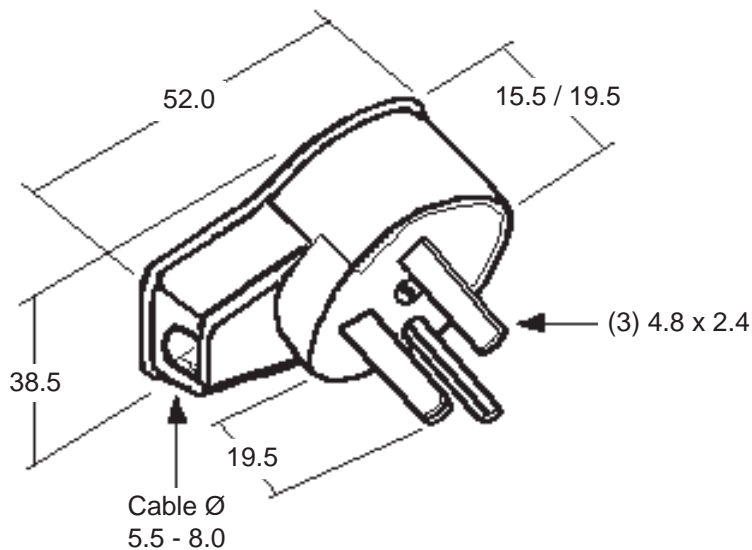
- 90° angle cord grip.
- Meets SI 32 requirements.
- Rated 16 ampere 250 volt AC.
- 2 pole 3 wire grounding.
- Approvals: SII



13591 P1

The Israeli plug is used only in Israel. Israel's standard plug pattern defined in SI 32, is unique to Israel and is incompatible with all other plugs and connectors of other countries.

Catalog No.	Color	Description	Weight/ea	VPE/Pack	EDP-No.
13591 P1	White	Angle Plug, 16A / 250V AC	21 g	100/10	121881



To learn more about B-I-A please visit us at our
WEB site: www.BiaGmbH.com

