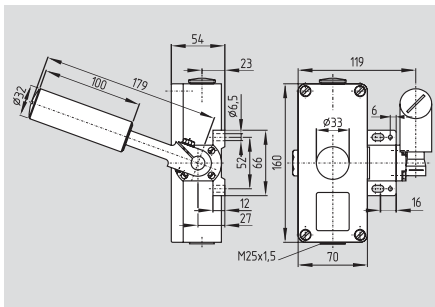




## Belt-alignment switches

### ZS 75 SR



- Metal enclosure
- 2 or 4 contacts
- 2 cable entries M25 x 1.5
- Reset by push button or key possible
- Signalling lamp available on request for various voltages, see [Document 3845 03](#)
- Ex version available

### Technical data

Standards: IEC/EN 60947-5-1  
 Enclosure: aluminium die-cast, enamel finish  
 Cover: aluminium die-cast, enamel finish  
 Protection class: IP 65 push button reset; IP 54 key reset

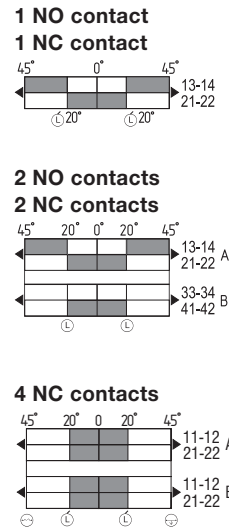
Contact material: silver  
 Contact type: change-over contact with double break or 4 NC contacts

Switching system: ⊖ IEC 60947-5-1 snap action with positive break NC contacts

Termination: screw terminals  
 Cable section: max. 2.5 mm<sup>2</sup> (incl. conductor ferrules)

Cable entry: 2 x M25 x 1.5  
 U<sub>imp</sub>: 6 kV  
 U<sub>i</sub>: 400 V  
 I<sub>the</sub>: 6 A  
 Utilisation category: AC-15  
 I<sub>e</sub>/U<sub>e</sub>: 6 A/400 VAC  
 Max. fuse rating: 6 A gL/gG D-fuse  
 Ambient temperature: -25 °C ... +70 °C  
 Mechanical life: > 1 million operations  
 Indicator lamp: as option

### Contact variations



### Approvals

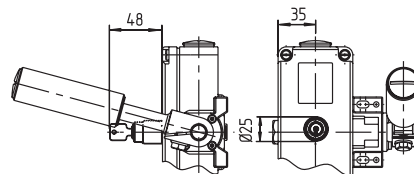


### Ordering details

#### ZS 75 SR ① ②

No.	Replace	Description
①	1Ö/1S	1 NC/1 NO contact
	2Ö/2S	2 NC/2 NO contacts
	4Ö	4 NC contacts
②	VD	Push button reset
	VS	Key reset

### Note



Reset by key