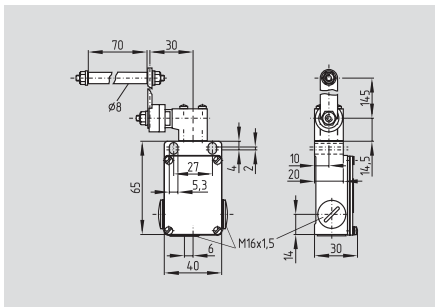
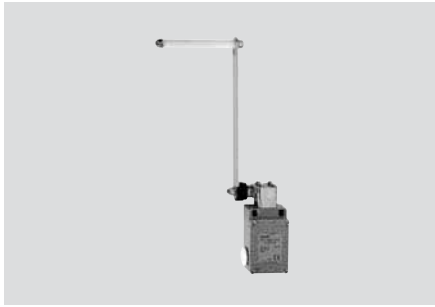


## Slack-wire switches

### ES/EM 41 DB



- Metal enclosure
- Slow action: 2 contacts
- Snap action: 2 contacts
- 3 cable entries M16 x 1.5
- Protection class IP 65
- Thermoplastic cover available
- Various actuating rollers available

### Technical data

Standards: IEC/EN 60947-5-1  
 Enclosure: aluminium die-cast, enamel finish  
 Cover: steel, enamel finish  
 Protection class: IP 65  
 Contact material: silver  
 Contact type: change-over contact with double break galvanically separated contact bridges

Switching system: slow or snap action  
 Termination: M3.5 screw terminals  
 Cable section: max. 2.5 mm<sup>2</sup> (incl. conductor ferrules)

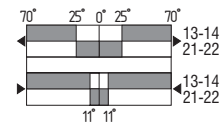
Cable entry: 3 x M16 x 1.5  
 U<sub>imp</sub>: 4 kV  
 U<sub>i</sub>: 400 V  
 I<sub>the</sub>: 6 A  
 Utilisation category: AC-15  
 I<sub>e</sub>/U<sub>e</sub>: 6 A/400 VAC  
 Max. fuse rating: 6 A gL/gG D-fuse  
 Ambient temperature: -20 °C ... +80 °C  
 Mechanical life: > 1 million operations  
 Switching frequency: 1800/h

### Contact variations

#### Snap action

##### 1 NO contact

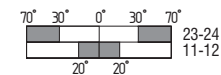
##### 1 NC contact



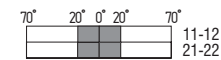
#### Slow action

##### 1 NO contact

##### 1 NC contact



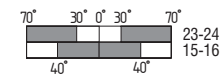
#### 2 NC contacts



#### Slow action with overlapping contacts

##### 1 NO contact

##### 1 NC contact



### Ordering details

#### E ① 41 DB ②

No.	Replace	Description
①	S	Slow action
	M	Snap action
②	1Ö/1S	1 NC/1 NO contact
	2Ö	2 NC contacts
	UE	1 NO/1 NC contact (contact overlapping, only possible with slow action)