

Accessories for emergency pull-wire and pull-wire switches

System components



Eye bolt*

- Per DIN 444
- Eye bolt M8 x 70 including nut length, referring to eye centre: 70 mm thread length: 25 mm thread: M8 x 1.5
- Eye bolt BM10 x 40 including nut (without figure); length, referring to eye centre: 40 mm; thread length: 25 mm thread: M10 x 1.5
- Ordering unit: 1 piece

System components



Wire thimble*

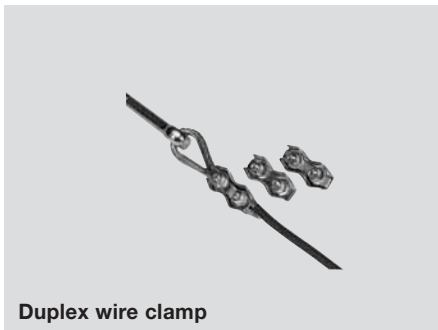
- Per DIN 6899
- For pull-wire with steel core Ø 3 mm, part number wire thimble 3B
- Ordering unit: 1 piece

System components



Pull-wire*

- Steel core Ø 3 mm
- With red PVC sheath
- Total diameter 5 mm
- Ordering unit: per metre



Duplex wire clamp

- Duplex wire clamp
- For pull-wire with steel core Ø 3 mm
- Ordering unit: 1 piece



Tension spring

- Only suitable for two-sided operation
- To maintain reaction force
- Length in unstretched state 130 mm (RZ-156l)
- Ordering unit: 1 piece



Pull-wire set complete

- 5 m pull-wire Ø 3 mm with 2 mm PVC sheath
- 2 wire clamps DIN 741
- 1 wire thimble DIN 6899
- 1 eye bolt DIN 444
- 1 Duplex wire clamp

Ordering details

Eye bolt M8x70 with nut	04.00.7112
Eye bolt M8x70 Niro	01.03.0210
Eye bolt BM10x40 with nut	01.03.0208
Duplex wire clamp	01.10.0004

Ordering details

Wire thimble	01.10.0001
Wire thimble stainless steel	on request
Tension spring RZ-156l	01.07.0070

Ordering details

Pull-wire Ø 5 mm per metre	01.09.0011
Pull-wire stainless steel Ø 5 mm per metre	01.10.0059
Pull-wire set complete, 5 m (other lengths on request)	04.61.7101

* also available in stainless steel

Accessories for emergency pull-wire and pull-wire switches

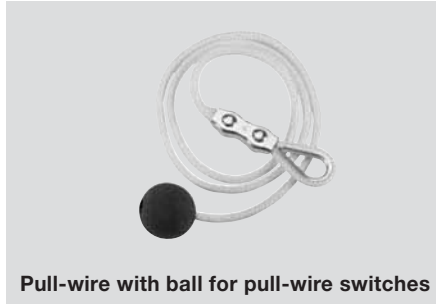
System components



Wire clamp*

- For pull-wire with steel core Ø 3 mm
- Ordering unit: 1 piece

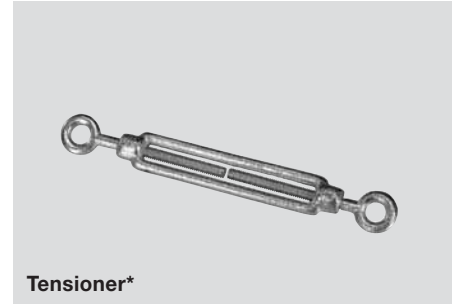
System components



Pull-wire with ball for pull-wire switches

- Yellow pull-wire (polypropylene)
- With ball and Duplex wire clamp
- 1, 2, 3 or 4 m long
- Ordering unit: 1 piece

System components



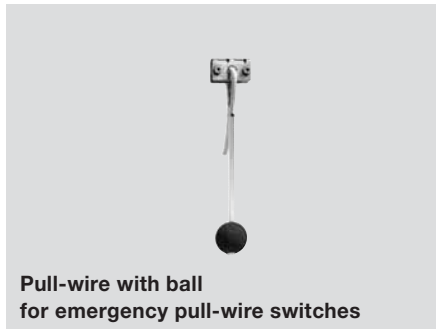
Tensioner*

- For precise adjustment of pull-wire pre-tension
- Per DIN 1480
- Tensioner M6: adjustable from 145 mm to 225 mm
- Tensioner M8: (stainless steel version) adjustable from 160 mm to 255 mm
- Ordering unit: 1 piece



Egg-shaped wire clamp

- For pull-wire with steel core Ø 3 mm
- Ordering unit: 1 piece



Pull-wire with ball for emergency pull-wire switches

- Yellow pull-wire (polypropylene)
- With ball and mounting clamp
- 1, 2, 3 or 4 m long
- Ordering unit: 1 piece

Ordering details

Wire clamp 3 mm	01.10.0003
Wire clamp 3 mm stainless steel	01.10.0061
Egg-shaped wire clamp (Sz. 4)	01.10.0063

* also available in stainless steel

Ordering details

Pull-wire with ball for pull-wire switches 1 m	04.73.7106
Pull-wire with ball for pull-wire switches 2 m	04.73.7107
Pull-wire with ball for pull-wire switches 3 m	04.73.7108
Pull-wire with ball for pull-wire switches 4 m	04.73.7109
Pull-wire with ball for emergency pull-wire switches 1 m	04.73.7101
Pull-wire with ball for emergency pull-wire switches 2 m	04.73.7103
Pull-wire with ball for emergency pull-wire switches 3 m	04.73.7104
Pull-wire with ball for emergency pull-wire switches 4 m	04.73.7102

Ordering details

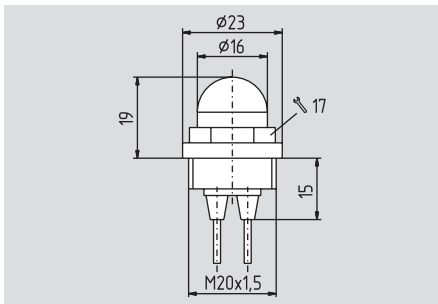
Tensioner M6	01.10.0010
Tensioner M8 stainless steel	01.10.0062

Accessories for emergency pull-wire and pull-wire switches

System components



Signalling lamp Glow lamp

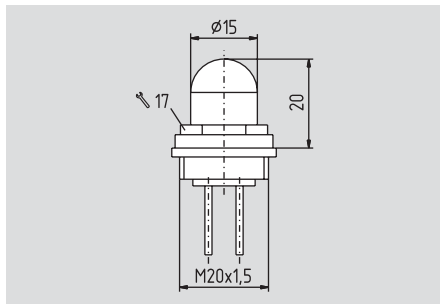


- Lamp cap red
- M 20 x 1.5
- 24 VDC
- 230 VAC
- Ordering unit: 1 piece

System components



Signalling lamp LED

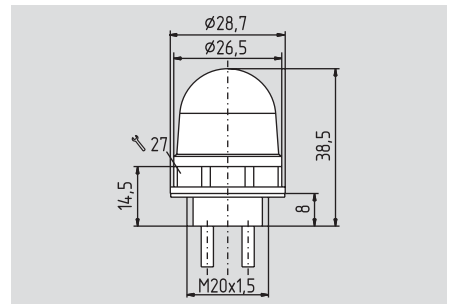


- Lamp cap white, with red LED
- M 20 x 1.5
- 24 VDC
- Ordering unit: 1 piece

System components



Signalling lamp Multi-LED



- Lamp cap white or red
- M 20 x 1.5
- 24 VDC
- 115 VAC
- 230 VAC
- Ordering unit: 1 piece

Ordering details

Signalling lamp Glow lamp 24 VDC **01.41.5101**
 Signalling lamp Glow lamp 230 VAC **01.41.5100**

Ordering details

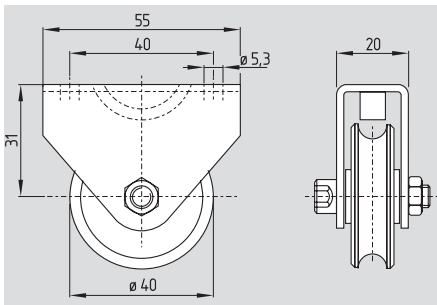
Signalling lamp LED 24 VDC **01.41.5095**

Ordering details

Multi-LED 24 VDC **on request**
 Multi-LED 115 VAC **on request**
 Multi-LED 230 VAC **on request**

Accessories for emergency pull-wire and pull-wire switches

System components



- To guide the pull-wire where the path is not a straight line
- For pull-wire with red PVC sheath \varnothing 5 mm (steel core \varnothing 3 mm)
- Ordering unit: 1 piece

Note











According to EN 418, pulleys may only be mounted such that the complete length of the pull-wire can be observed.

Ordering details

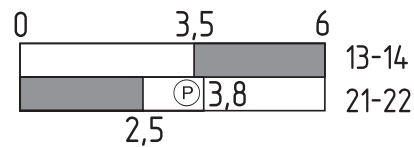
Pulley



04.73.9102

Explanation of symbols

-  positive break NC contact
-  positive break travel/angle
-  latching point
-  wire breakage detection
-  wire pull detection
-  spanner size across flats
-  ceiling mounting
-  wall mounting
-  CSA/UL approval, Canada
-  TÜV prototype-tested
-  BG prototype-tested
-  conformity to standards, see declaration of conformity
- I_e rated operating current
- I_{the} thermal test current
- U_e rated operating voltage
- U_i rated insulation voltage
- U_{imp} rated impulse withstand voltage

Explanation of switching travel diagrams



-  Contact open
-  Contact closed
- X1-X2: NC contact
- X3-X4: NO contact
- X5-X6: contact overlapping