

Catalog No. 200-H2

Application and Performance Specifications

- **Description:** Electromagnetic ballast for (1) fluorescent lamp as indicated below:
- Line Voltage: 120 vac, + 5%, - 10%, 60Hz
- Preheat Start
- Low Power Factor

Typical Performance Data								
Lamp		Input Current (Amps)	Input Power (Watts)	Power Factor	Ballast Factor	Ballast Efficacy Factor	T.H.D. %	Crest Factor
Type	#							
F20T12	1	0.3	20	< .60	.83	4.15	< 10	< 1.7
F19T8	1	0.26	18	< .60	.80	4.33	< 10	< 1.7
F18T8	1	0.28	19	< .60	.80	4.29	< 10	< 1.7
F15T8	1	0.32	20	< .60	1.05	5.13	< 10	< 1.7
F15T12	1	0.35	21	< .60	1.08	5.19	< 10	< 1.7
F14T8	1	0.36	19	< .60	.99	5.15	< 10	< 1.7
F14T12	1	0.37	20	< .60	.98	4.85	< 10	< 1.7

Performance:

- Designed in accordance with ANSI C82.1
- Compatible with PLC and IR systems
- Reactor type circuit

Safety:

- No PCB's
- UL listed (Indoor and Type 1 Outdoor)
- CSA Certified

Application:

- Minimum Starting Temperature: 50° F, 10° C
- Maximum Ballast Case Temperature not to exceed 90° C
- Sound Rated: A
- Remote Mounting: 6.1m with minimum 18 AWG
 (refer to TechNote # 7b for other wire sizes/lengths)

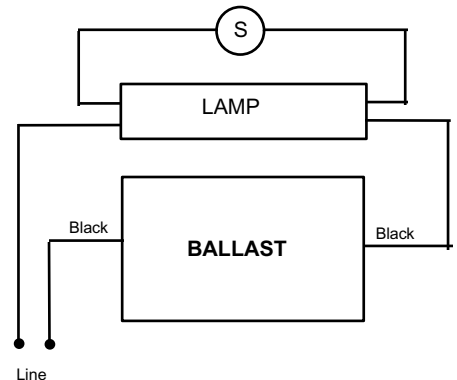
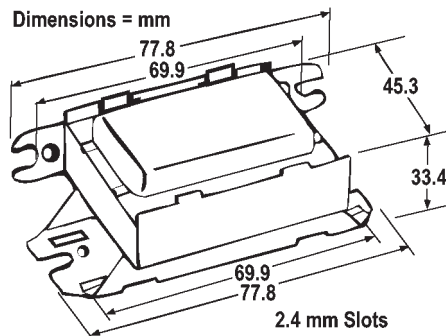
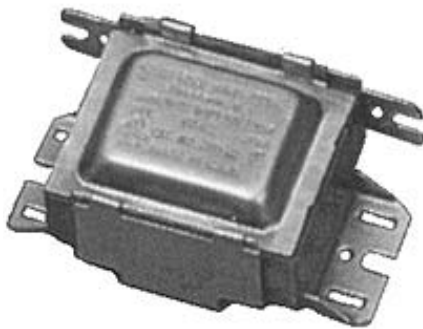
Mechanical:

- Length: 77.8
- Width: 45.3
- Height: 33.4
- Lead Length (± 25.4):
 Black 203.2
 Black 381.0
- Weight (net): 322g

Overall

Mounting

Manufactured in North America



Ballast must be grounded. Install in accordance with National Electric Code (NEC).