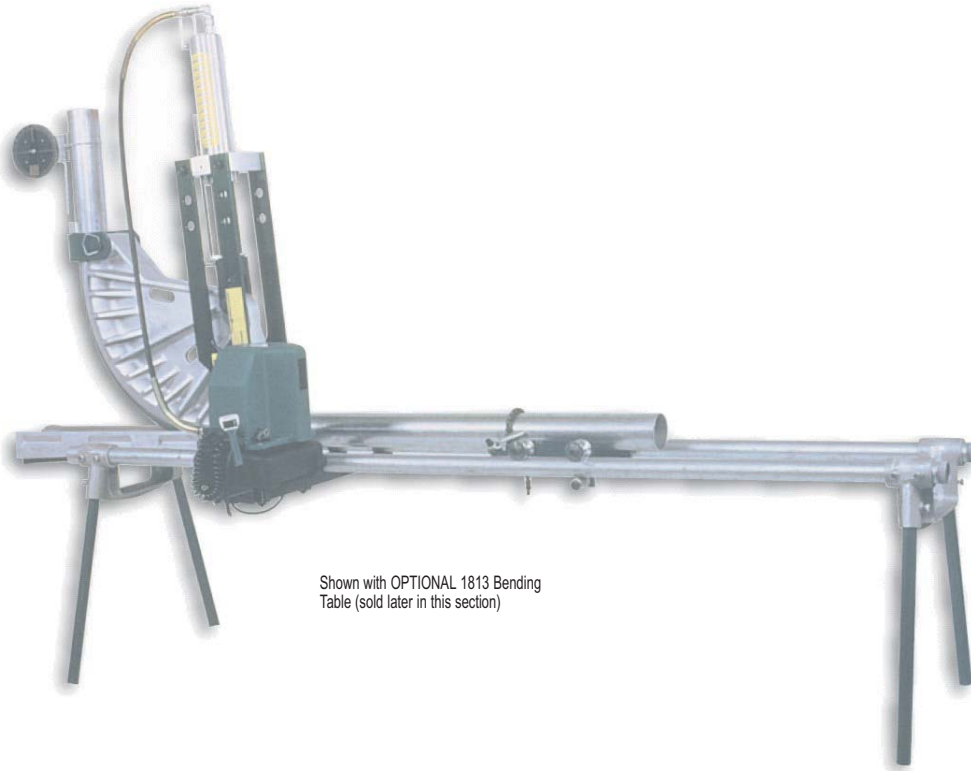


Cam Track® Conduit Benders for 2-1/2" to 4" EMT, IMC and Rigid



Shown with OPTIONAL 1813 Bending Table (sold later in this section)

CAT. NO.	UPC NO.	DESCRIPTION
881CT	31287	Cam Track® Conduit Bender for One Shot 90° Bends in 2-1/2", 3", 3-1/2" and 4" EMT, IMC and Rigid conduit, without hydraulic pump
881CT-E980	34208	Cam Track® Conduit Bender for One Shot 90° Bends in 2-1/2", 3", 3-1/2" and 4" EMT, IMC and Rigid conduit, with 980 Electric Hydraulic Pump
881CTD	38466	Cam Track® Conduit Bender for One Shot 90° Bends in 2-1/2", 3" and 4" EMT, IMC and Rigid conduit, without hydraulic pump
881CTD-E980	38467	Cam Track® Conduit Bender for One Shot 90° Bends in 2-1/2", 3" and 4" EMT, IMC and Rigid conduit, with 980 Electric Hydraulic Pump
881	27778	Conduit Bender for One Shot 90° Bends in 2-1/2" and 3", Two Shot 90° Bends in 3-1/2" and 4" EMT, IMC and Rigid conduit, without hydraulic pump
881-E980	34205	Hydraulic Conduit Bender for One Shot 90° Bends in 2-1/2" and 3", Two Shot 90° Bends in 3-1/2" and 4" EMT, IMC and Rigid conduit, with 980 Electric Hydraulic Pump
881 BASIC	35711	Conduit Bender without shoe groups or hydraulic pump
27554	27554	2-1/2" – One Shot 90° EMT, IMC, Rigid Shoe Group
27555	27555	3" – One Shot 90° EMT, IMC, Rigid Shoe Group
31281	31281	3-1/2" – One Shot 90° EMT, IMC, Rigid Shoe Group
27556	27556	3-1/2" – 45° EMT, IMC, Rigid Shoe Group (requires 2 bends to make a 90°)
31274	31274	4" – One Shot 90° EMT, IMC, Rigid Shoe Group
27557	27557	4" – 45° EMT, IMC, Rigid Shoe Group (requires 2 bends to make a 90°)
1813	28901	Bending Table for 881 Series Bender (see page 81)
881A	27553	Converts 884 or 885 to an 881

- One bender to bend EMT, IMC and Rigid Conduit.
- Fast and easy set-up on the jobsite.
- True one shot 90° bends with CT models for quick accurate bends.
- Steel reinforced follow bars for long life.
- Bend a 90° elbow in 4" Rigid conduit in 95 seconds.
- Optional 1813 Bending Table and accessories for easier operation.

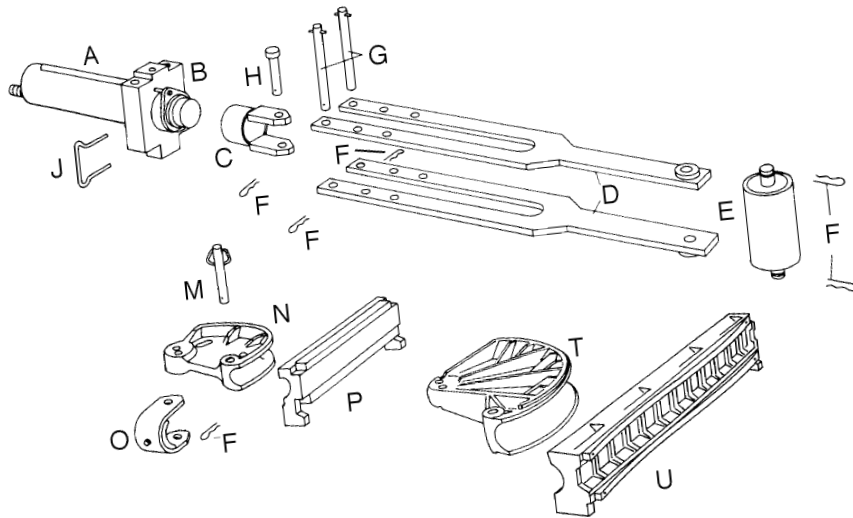
SPECIFICATIONS

Capacity	Weight
2-1/2" - 4" EMT, IMC and Rigid	881CT-E980: 999 lbs. (454 kg)
Power Source	881-E980: 930 lbs. (422 kg)
980: 120 VAC Electric Powered Hydraulic Pump	881: 856 lbs. (388 kg)
980-22PS: 220 VAC 50/60 Cycle Electric Powered Hydraulic Pump	881 BASIC: 358 lbs. (163 kg)
	27555: 137 lbs. (62 kg)
	27556: 130 lbs. (59 kg)
	27557: 134 lbs. (61 kg)
	31274: 183 lbs. (83 kg)

CAM TRACK® BENDER CENTERLINE BENDING RADII FOR EMT, IMC AND RIGID CONDUIT

SIZE	881	881 CT, 881 CTD, 881 BASIC		
	CENTERLINE RADIUS	CENTERLINE RADIUS	SHOE GROUP	DEGREE OF BEND
2-1/2"	13-1/2" (342.9 mm)	13-1/2" (342.9 mm)	27554	90
3"	16" (406.4 mm)	16" (406.4 mm)	27555	90
3-1/2"	18-5/8" (473.1 mm)	18-5/8" (473.1 mm)	31281	90
4"	21" (533.4 mm)	20-7/8" (530.2 mm)	31274	90
3-1/2"		18-5/8" (473.1 mm)#	27556	45
4"		21" (533.4 mm)#	27557	45
		# 881 Basic Only		

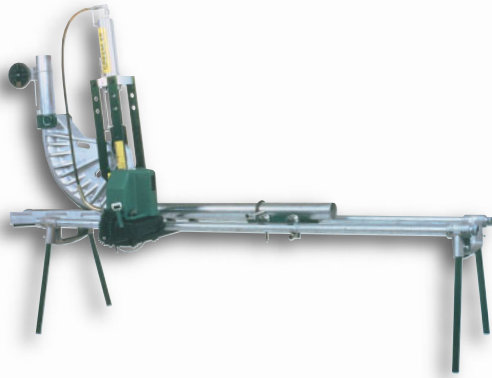
Cam Track® Benders and Shoe Groups



KEY	CAT. NO.	UPC NO.	DESCRIPTION	BENDERS				SHOE GROUPS						
				881	881A	881BASIC	881CT & 881CTD	27554	27555	31281	27556	31274	27557	
A	27416	27416	Hydraulic Ram with 4018GB female quick coupler. The ram includes Keys B, G, and two clips from Key F.	1	†	1	1							
B	27417	27417	Cylinder Block	1	1	1	1							
C	30309	30309	Yoke	1	1	1	1							
D	26309	26309	Connecting Bar Unit	2	2	2	2							
E	27364	27364	Roller Unit-The roller unit includes two clips from Key F	1	1	1	1							
F	50302	50302	Hitch Pin Clips	6	6	6	6							
G	27381	27381	Cylinder Block Pin Unit	2	2	2	2							
H	26306	26306	Yoke Pin	1	1	1	1							
J	26349	26349	Spring Clip (secures Yoke Unit to Ram)	1	1	1	1							
	11289	11289	3/8" x 6' (9.5 x 1829 mm) Hydraulic Hose with two 4033GB male quick couplers	1		1	1							
M	26624	26624	Saddle Pin Unit - includes 1 clip from Key F	1	1	1	1							
N	26297	26297	2-1/2" Shoe 90°	1	1		1	1						
P	26366	26366	2-1/2" Follow Bar 90°	1	1		1	1						
O	26580	26580	2-1/2" Saddle	1	1		1	1						
N	26300	26300	3" Shoe 90°	1	1		1		1					
P	35400	35400	3" Follow Bar 90°	1	1		1		1					
O	26584	26584	3" Saddle	1	1		1		1					
N	26302	26302	3-1/2" Shoe 45°	1	1						1			
P	26389	26389	3-1/2" Follow Bar 45°	1	1						1			
O	26588	26588	3-1/2" Saddle	1	1		1*			1	1			
T	31882	31882	3-1/2" Shoe 90°				1*			1				
U	31881	31881	3-1/2" Follow Bar 90°				1*			1				
N	26305	26305	4" Shoe 45°	1	1									1
P	31292	31292	4" Follow Bar 45°	1	1									1
O	26594	26594	4" Saddle	1	1		1						1	1
T	31884	31884	4" Shoe 90°				1							1
U	31883	31883	4" Follow Bar 90°				1							1
	2460	23363	Steel Storage Box (not shown)	1	1	1	1							
	695	30239	Caster Set (not shown)	1		1	1							

† Use Hydraulic Ram from your 884 or 885 Bender. *Not included in 881 CTD.

Bending Table (only) for 881 Benders

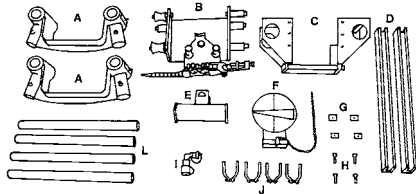


CAT. NO.	UPC NO.	DESCRIPTION
1813	28901	Bending Table for 881 Bender

NOTE: To complete set up as shown two 10-foot (3.04 m) lengths of 2" Rigid conduit and Bender are required (purchased separately).

SPECIFICATIONS

Capacity	881 Benders	Weight	186 lbs. (85 kg)
-----------------	-------------	---------------	------------------



- Converts the 881 Bender into a comfortable, bench-high machine . . . reduces operator fatigue . . . makes loading faster, easier.
- Offset and one-shot bends in all four types of conduit are made quickly and easily with consistent accuracy.
- Pipe vise holds conduit securely for accurate bends. Prevents conduit from twisting or turning during bend.
- Includes 1805 Bending Degree Protractor and metal storage box.

PARTS

KEY	CAT. NO.	UPC NO.	DESCRIPTION	1813/ 28901
A	21541	21541	Leg Support Unit	2
B	28900	28900	Carriage Unit w/vise	1
C	28885	28885	Bender Mounting Unit	1
D	29004	29004	Pump Table Support	2
E	29022	29022	Ram Positioner	1
F	1805	21318	Bending Degree Protractor	1
G	53824	53824	Pump Bracket	4
H	51185	51185	Pump Mounting Screw	4
I	29014	29014	90° Coupling Unit	1
J	53014	53014	Steel Conduit Clamp	4
L	21346	21346	Legs	4
	1531	23274	Steel Storage Box (not shown)	1
	51593	51593	Hex Nut	4
	50975	50975	Cap Screw	4
	51674	51674	Washer	4

Bending Handbook and Slide Rule Bending Calculators



- 60 pages of bending information on stub ups, offsets, saddles and concentric bends.
- Pocket size 3-1/2" x 6-3/4".
- Bending charts for listed benders.
- Easy to use for fast, accurate bending calculations.

CAT. NO.	UPC NO.	DESCRIPTION
38405	38405	Bending Book
38406	38406	Slide Rule Calculator for 777, 880, 883, 884 and 885 Benders
38407	38407	Slide Rule Calculator for segment bends
38408	38408	Slide Rule Calculator for 881 and 882 Benders

To learn more about B-I-A please visit us at our
WEB site: www.BiaGmbH.com

