

SURE-LOCK™ THE POWER TO STAY CONNECTED

Sure-Lock™ Detachable I.E.C. Connector

The patented Sure-Lock™ Cords prevent unwanted disconnections. Sure-Lock™ is ideal for use with medical life-support equipment, computer systems, and all equipment that relies on uninterrupted power.

- Snap lock design for easy connection or removal
- Eliminates intermittency problems at the connector-coupler interface
- Totally eliminates flash on the female contacts
- Made of tough, pre-molded, high impact Zytel nylon materials
- Meets agency requirements for 10A / 250V



See [Document No. 7404](#) for more Informations on Sure-Lock Power Cords.



Applications

- Medical equipment
- Communication equipment
- Audio / Video electronics
- Test equipment
- Computer Related Products

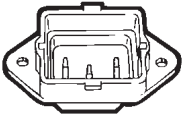





B-0777-000-00

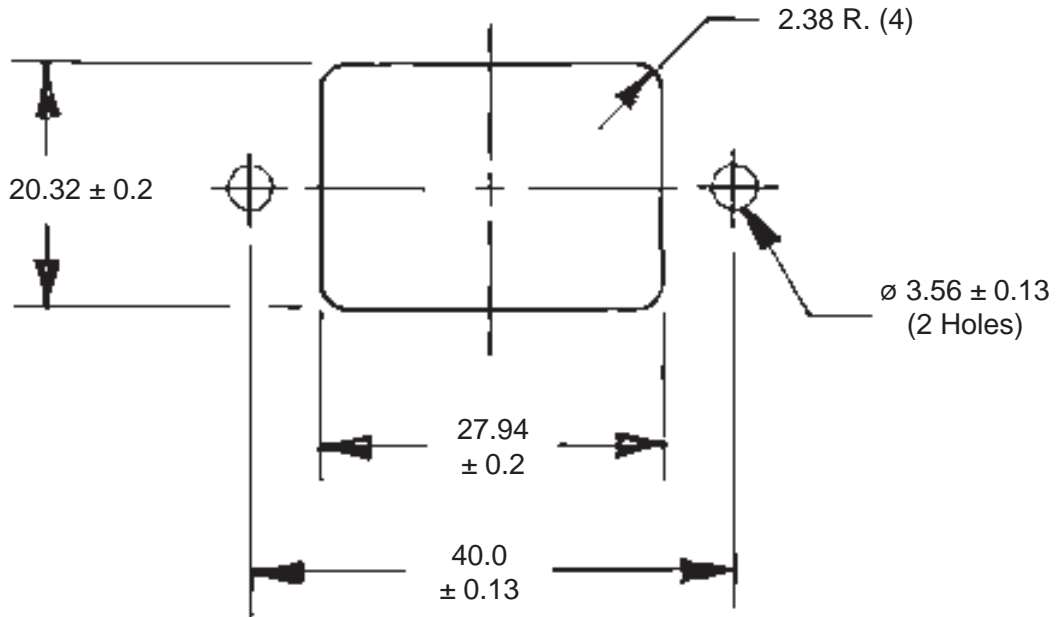


B-0778-000-00

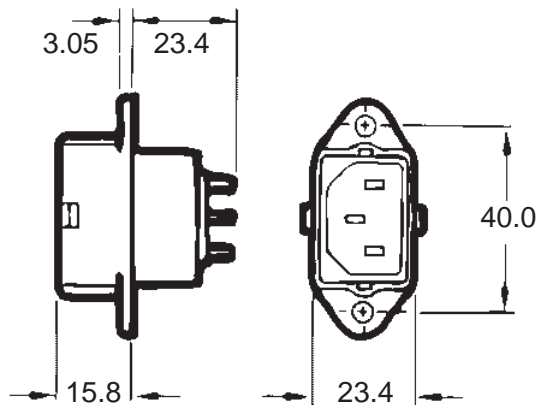
Plug #207-2-093

	Catalog No.	Color	Description	Wght/ea	VPE/Pack	EDP-No.
	B-0777-000-00	Black	Sure-Lock Coupler 10A / 250V – 15A / 125V	18 g	50	119598
	B-0778-000-00	Black	Sure-Lock Outside Mount	8 g	250	120477
	B-0779-000-00	Black	Sure-Lock Inside Mount	8 g	250	120478
	B-0780-000-00	Black	Sure-Lock Right Angle Mount	9 g	250	120479

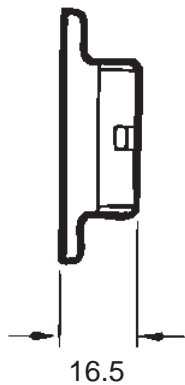
B-0777 Mounting Hole



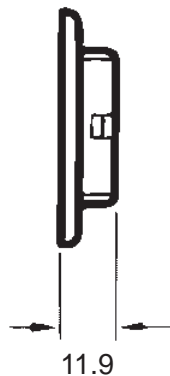
B-0777



B-0778



**B-0779
B-0780**



**B-0778
B-0779
B-0780**

