

Lampholders

This line offers a complete selection of outlet box, incandescent, fluorescent and specialty lampholders, in various ratings and materials. The following pages offer a variety of types and styles.

Overview	02
INCANDESCENT LAMPHOLDERS	
Outlet Box, Keyless & Pull Chain	03, 04
Metal Shell & Interiors	05
Phenolic Cap & Shell	05
Multi-Lampholder Clusters	06
Porcelain Par Connectors	06
Bayonet Socket-Single Contact	06
Porcelain Mogul Base	07
Socket Extensions	08
Appliance Heating Receptacle	08
Porcelain & Phenolic	08
Porcelain Snap-In	09
Porcelain Keyless—	
Commercial Units	09
Porcelain Keyless Fixture	
Single Circuit-Medium Base	09
Porcelain Keyless Medium Base-Side	
Angle Mounted	10
Phenolic Keyless Fixture—	
Medium Base	10
Lampholders for Recessed Single	
Contact Lamps	10
Candle Sockets	10 – 12

FLUORESCENT LAMPHOLDERS	
Medium Bi-Pin	13 – 15
High Output	13, 14
Slimline	13, 14
Miniature	14
4-Pin Long Twin Tube	
with 2G11 Base	16
Compact Fluorescent Lampholders (CFL's)	17 – 20



Residential Grade Lampholders



A Variety of Incandescent and Fluorescent Styles in a Variety of Ratings and Materials

Outlet Box Lampholder



This one-piece pull chain incandescent lampholder, top wired, utilizes twist-lock mounting for convenient incandescent installation.

Cat. No. 8827-CW4

Metal Shell



Medium based, this incandescent electrolier lampholder is available in a variety of attractive finishes.

Cat. No. 9346-PG

Multi-Lampholder Cluster



Available in two- or three-lights, it has a treated aluminum screw shell.

Cat. No. 4034-F5A

Porcelain Mogul Base Lampholder



These lampholders come with leads, are keyless and single circuit.

Cat. No. 8806

Candle Sockets



Stylishly designed, they are available in phenolic, fiber disc and porcelain bodies.

Cat. No. 4155

Lampholder for High Output Lamps



Possessing silver plated contacts, these fluorescent lampholders are of the recessed, double contact, double pedestal type.

Cat. No. 464

Medium & Miniature Bi-Pin



These fluorescent lampholders, surface mounted, are offered with leads.

Cat. No. 395-W

Compact Fluorescent Lampholder



Developed for G23 and G23-2 lamp bases, they snap-in horizontally or screw-down vertically.

Cat. No. 26719-100

Incandescent Lampholders

Outlet Box Lampholders

One-Piece Keyless Top Wired 660 WATT 600V

DESCRIPTION/ TERMINALS	WHITE UREA	O.D.	FITS BOX SIZE
2 Terminal Screws	8829-CW1	4½"	3¼" or 4"
6" Pigtail Leads	8829-CW2	4½"	3¼" or 4"
4 Terminal Screws	8829-CW4	4½"	3¼" or 4"

One-Piece Pull Chain Top Wired 660 WATT 250V

DESCRIPTION/ TERMINALS	WHITE UREA	O.D.	FITS BOX SIZE
2 Terminal Screws	8827-CW1	4½"	3¼" or 4"
6" Pigtail Leads	8827-CW2	4½"	3¼" or 4"
2 Terminal Screws with Captive Clamps	8827-CW4	4½"	3¼" or 4"

One-Piece Keyless Top Wired 660 WATT 250V

DESCRIPTION/ TERMINALS	PORCELAIN	O.D.	FITS BOX SIZE
2 Screws★	9874	3¾"	3¼"
2 Screws, no cage lip	9875	4½"	3¼" or 4"
6" Pigtail Leads	9875-2	4½"	3¼" or 4"
4 Screws	49875	4½"	3¼" or 4"
4 Quickwire Push-In★	9883	4½"	3¼" or 4"

One-Piece Pull Chain Top Wired 660 WATT 250V

DESCRIPTION/ TERMINALS	PORCELAIN	O.D.	FITS BOX SIZE
2 Screws	29816-C	4½"	3¼" or 4"
6" Pigtail Leads	29816-C2	4½"	3¼" or 4"
2 Screws w/Captive Clamps for 4-Wire Terminals	49816-C	4½"	3¼" or 4"
Interior Mechanism for 2-Piece Outlet Box Lampholders★	29816-CM*		

*When existing stock is depleted, this item will be DISCONTINUED.
All devices are UL Listed. Also CSA Certified except where indicated by★



8829-CW4



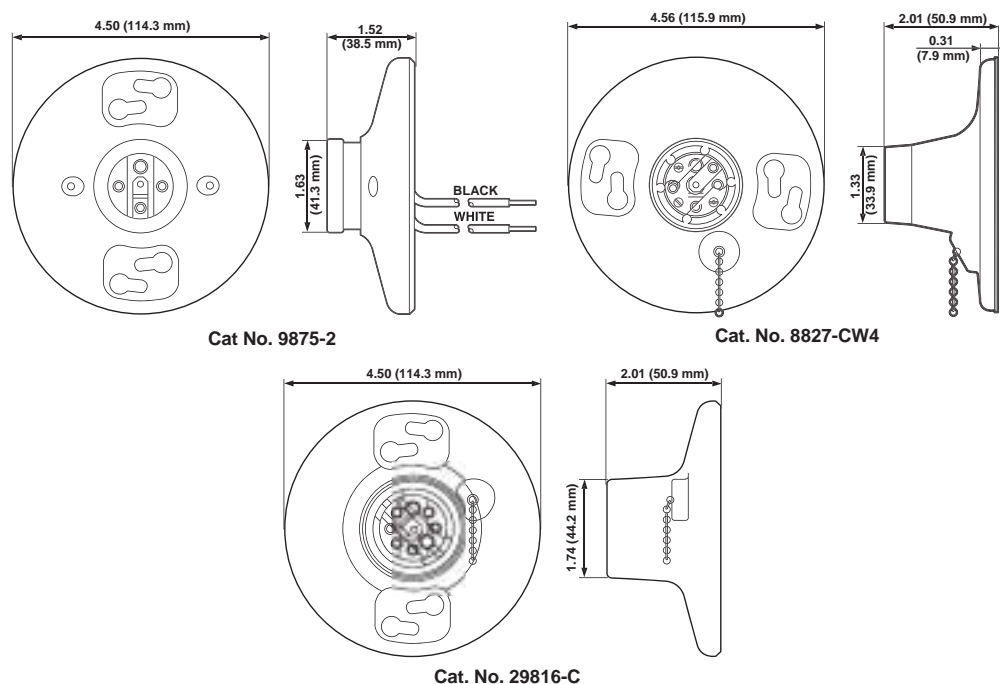
29816-C

SPECIFICATIONS & FEATURES

- Twist-lock mounting
- Pull chain models have bell at end of chain on 3 foot cord
- Medium base

TESTING & CODE COMPLIANCE

- UL Listed (File #E-3810)
- CSA Certified (File #LR-1863)




Incandescent Lampholders




9716-C

Outlet Box Lampholders

660 WATT 125V Lampholder Outlet 15 AMP-125V
One-Piece Pull Chain Side Wired

DESCRIPTION/ TERMINALS	PORCELAIN	O.D.	FITS BOX SIZE	NEMA CONFIG.
2 Screws★	9716-C	4 1/2"	3 1/4" or 4"	1-15R 

660 WATT 125V Lampholder Outlet 15 AMP-125V
One-Piece Pull Chain Top Wired

DESCRIPTION/ TERMINALS	PORCELAIN	O.D.	FITS BOX SIZE	NEMA CONFIG.
2 Screws	9726-C	4 1/2"	3 1/4" or 4"	5-15R 



9726-C

Ball and Chain Accessories

DESCRIPTION	BRASS FINISH	NICKEL FINISH
No. 6 Chain; 1/8" Dia. Balls	18302-1	18302-1N
Connector for No. 6 Chain	9820	9820-N
Chain, 3 feet long, End Bell and Connector; use as extension or replacement; 1/25" Dia. Balls	6	6-N



DESCRIPTION	BROWN	WHITE
Insulating Link; Thermoplastic 1 3/4" Total Length	9839	9839-I



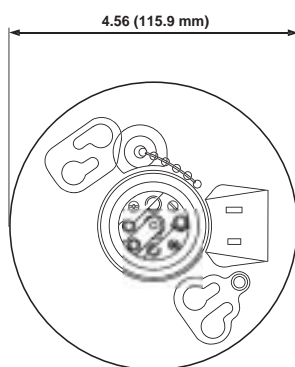
SPECIFICATIONS & FEATURES

- 2-Pole, 2-Wire Outlet; 2-Pole, 3-Wire Outlet
- Twist-lock mounting
- Pull chain models have bell at end of chain on 3 foot cord

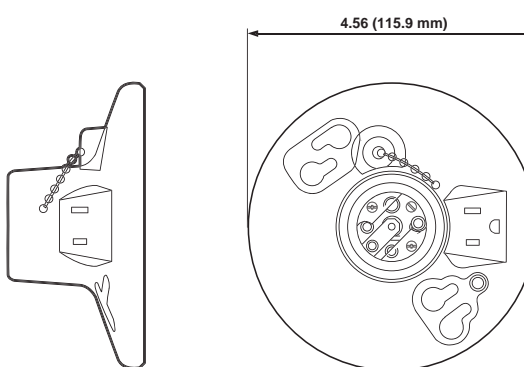
TESTING & CODE COMPLIANCE

- UL Listed (File #E-3810; E-7516)
- CSA Certified (File #LR-1863)

All devices are UL Listed. Also CSA Certified except where indicated by★



Cat. No. 9716-C



Cat. No. 9726-C

Incandescent Lampholders

Metal Shell Lampholders

Medium Base*

DESCRIPTION	CAT. NO.	RATING
Key—Electrolier; Single Circuit; 1/8 IPS Tapped Bushing w/Set Screw	9346	250W 250V
Removable Turn Knob—Electrolier; Single Circuit; 1/8 IPS Tapped Bushing w/Set Screw	10083-16	250W 250V
Removable Turn Knob—Electrolier; 2-Circuit; 3 Terminal; 1/8 IPS Tapped Bushing less Set Screw	7070	250W 250V
Removable Turn Knob—Electrolier; 2-Circuit; 1/8 IPS Tapped Bushing	7090	250W 250V
Pull Chain—Electrolier; Single Circuit; 1/8 IPS Tapped Bushing w/Set Screws	19980	660W 250V
Push Through—Electrolier; Single Circuit; 1/8 IPS Tapped Bushing w/Set Screw	7080	660W 250V
Keyless—Electrolier; Single Circuit; 1/8 IPS Tapped Bushing w/Set Screw	8004	660W 250V
Keyless—Short Electrolier; Single Circuit; 1/8 IPS Tapped Bushing w/Set Screw	9347	660W 250V



Metal Shell Lampholders

Interiors — Medium Base, Phenolic Body, Aluminum Screw Shell

LAMPHOLDER	CAT. NO. INTERIOR
19980	19980-M
10083-16	10083-M†
7070	7070-M†
7090	7090-M†
9346	9346-M†
6098	7080-M†
8004	8004-M†

Brown Phenolic Cap and Shell Lampholders

Two-Piece, Medium Base Electrolier Interiors

DESCRIPTION	CAT. NO.	RATING	INTERIORS
Pull Cord (nylon); 2-Circuit, 1/8 IPS Threaded Cap w/Set Screw	97092	250W 250V	7092-2M†
Push-Through; 1/8 IPS Threaded Cap w/Set Screw	95110	660W 250V	7080-M†
Keyless; 1/8 IPS Threaded Cap w/Set Screw	95080	660W 250V	8004-M†

*UL Recognized component.
All devices are UL Listed and CSA Certified.

SPECIFICATIONS & FEATURES

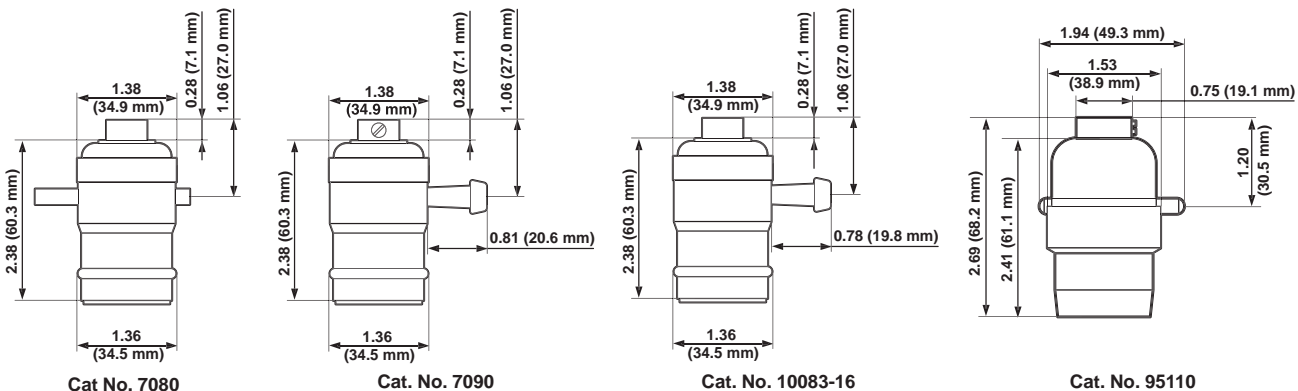
- Phenolic interior with aluminum screwshell
- 2-Circuit lampholders operate dual-filament lamps in sequence of Low-Medium-High-Off
- Cat. No. 7070 (2-Circuit, 3-Terminal) is wired in series with keyless lampholder

TESTING & CODE COMPLIANCE

- UL Listed (File #E-3810)
- CSA Certified (File #LR-1863)

*COLOR

A suffix must be added to each basic catalog number to indicate the finish desired. For Polished Gilt/Brass finish, add -PG; for Unfinished Aluminum, add -AL; for Polished Aluminum, add -NI (finishes on aluminum). For bright dip/Brass, add -BR (finish on brass). CONSULT OUR SALES OFFICE FOR AVAILABILITY OF FINISHES.



Incandescent Lampholders



4034-F5A



341-D4U

Medium Base Multi-Lampholder Clusters

Treated Aluminum Screw Shell

DESCRIPTION	CAT. NO.	RATING	T	TA	B	BA	OAH T+B
2-Light Twin 1/8 IPS Male Top Bracket Only	4020-A3A	660W 250V	15/16	5/16	—	—	—
2-Light Twin 1/8 IPS Male (top & bottom)	4015-D4F	660W 250V	111/16	5/16	111/16	7/16	33/8
2-Light Offset 1/8 IPS Male (top & bottom)	4032-E5F	660W 250V	13/4	5/16	13/4	7/16	311/16
3-Light 1/8 IPS Male (top & bottom)	341-D4U	660W 250V	13/4	1/2	13/4	7/16	31/2
2-Light Offset 1/8 IPS Male (top); Pullchain Switch (bottom) with 1/2" usable shank★	4034-F5A	660W 250V 1A 125V T	13/4	5/16	115/16	1/2	33/4 ⁺
2-Light Twin 1/8 IPS Male (top); Pullchain Switch (bottom) 3/8" usable shank★	4017-D2F	660W 250V 1A 125V T	11/16	5/16	111/16	3/8	213/16 ⁺

⁺Includes nut.

Leads are No. 18 AWG 105°C plastic; 9" long, stripped 3/4"; untinned and pulled through top bracket.

Porcelain Par Connectors

DESCRIPTION	CAT. NO.	RATING
Medium Base for PAR #46 and #38 lamps. Leads are No. 14 AWG 200°C SEW-2 Silicone Rubber Insulated; 18" Long, Stripped 3/4". Others available on inquiry	368-1	660W 125V
Mogul Base for PAR #56 and #64 lamps. Leads are No. 14 150°C SEWF-2; 18" Long, Stripped 3/4". Others available upon request	357-8	1000W 125V

SPECIFICATIONS & FEATURES

- Pull chain models have bell at end of chain on 3 foot cord
- Medium and Candelabra bases
- Par connectors have white, unglazed porcelain body

TESTING & CODE COMPLIANCE

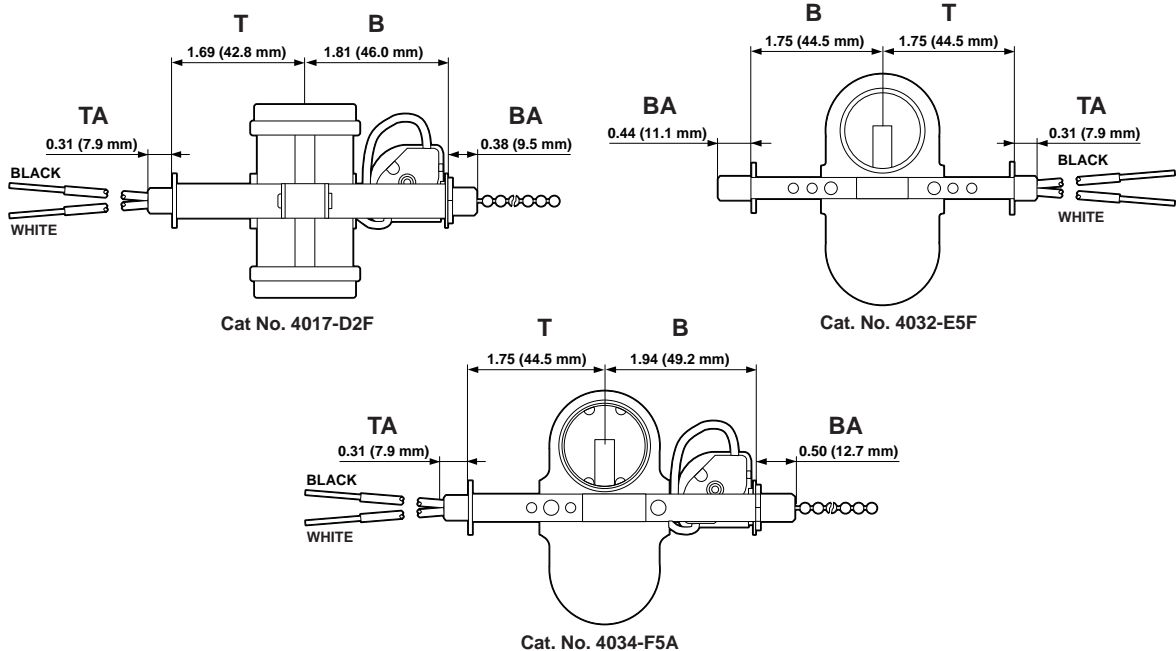
- UL Listed (File #E-13405)
- CSA Certified (File #LR-5863)

Bayonet Socket — Single Contact

Candelabra Base

DESCRIPTION	CAT. NO.	RATING
Flat Bracket. Leads are No. 18 AWG, 105°C Plastic; 6" Long, Stripped 3/4" (one black, one white)★	905	Low Voltage

All devices are UL Listed except Cat. No. 905. Also CSA Certified except where indicated by★



Incandescent Lampholders

Porcelain Mogul Base Lampholders

With Leads*

DESCRIPTION	CAT. NO.	RATING	OUTSIDE DIAMETER	OVERALL HEIGHT
Keyless, Single Circuit. For high pressure sodium lamps up to 1000 watts. 8-32 Mounting Screws on 1 $\frac{3}{8}$ " Centers	8746	1500W 600V 5KV Pulse-rated	2 $\frac{1}{8}$	3 $\frac{1}{64}$
Keyless, Single Circuit. Positon-oriented. For Super Metalarc HID lamps. 8-32 Mounting Screws on 1 $\frac{3}{8}$ " Centers	8750	1500W 600V	2 $\frac{5}{32}$	2 $\frac{39}{64}$
Keyless, Single Circuit. For high-pressure sodium lamps up to 400 watts. 8-32 Mounting Screws on 1 $\frac{3}{8}$ " Centers	8756	1500W 600V 4KV Pulse-rated	2 $\frac{5}{32}$	2 $\frac{39}{64}$
Low Pressure Sodium. For use with all single-end bayonet base low pressure sodium lamps★	8806	660W 1000V	1 $\frac{3}{8}$	1 $\frac{5}{8}$

*Leads types, lengths and ratings vary with the end use applications. Standard leads as well as variations available on inquiry.

Screw Terminals

DESCRIPTION	CAT. NO.	RATING	OUTSIDE DIAMETER	OVERALL HEIGHT
Keyless; 2-Piece; Single-Pole★	8765	1500W 600V	2 $\frac{1}{4}$	2 $\frac{23}{64}$
Keyless; Single Circuit with 8-32 Lock Nuts on 1 $\frac{3}{8}$ " Centers. Die-cast caps available upon request	8694	1500W 600V	2 $\frac{5}{32}$	2 $\frac{11}{16}$

All devices are UL Listed. Also CSA Certified except where indicated by★



8756



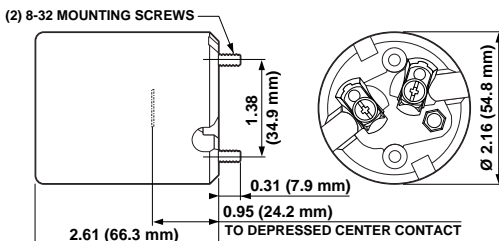
8806

SPECIFICATIONS & FEATURES

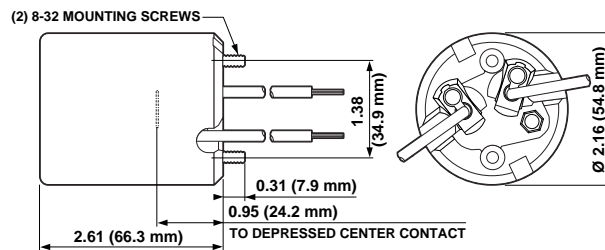
- Cat. No. 8746 – Porcelain body gray glazed with ceramic arc shield; Cat. No. 8750 – Porcelain body yellow glazed
- All other moguls listed have white glazed porcelain body
- Copper-alloy nickel-plated screw shell

TESTING & CODE COMPLIANCE

- UL Listed (File #E-13402)
- CSA Certified (File #LR-1863)



Cat No. 8694



Cat. No. 8756

Incandescent Lampholders



Socket Extensions — Single Circuit

Medium-Medium

DESCRIPTION	CAT. NO.	RATING
2-Piece Porcelain; Mounting Hole 1 3/8" Dia. Extension 1 1/4"*	2004	660W 250V
1-Piece Porcelain; Slotted Mounting Hole 1 3/8" Dia. Extension 1 1/4"*	2005	660W 250V
1-Piece Phenolic. Extension 1 3/16"***	2006	660W 250V

*To be used with porcelain sockets only

**To be used with phenolic sockets only

Mogul-Mogul

DESCRIPTION	CAT. NO.	RATING
1-Piece Porcelain. Extension 2 3/8"	8647	1500W 600V

Socket Adapter

Mogul-To-Porcelain Medium

DESCRIPTION	CAT. NO.	RATING
1-piece. Meets Fed. Spec. W-L-142a	8681	660W 250V
Same as above, except 4 KV Pulse-Rated	8681-400	660W 250V 4 KV Pulse-Rated

Appliance Heating Receptacle

Porcelain Two-Piece

DESCRIPTION	CAT. NO.	RATING
2-piece Heating Receptacle. Gasket Furnished	8110	660W 250V

SPECIFICATIONS & FEATURES

- Medium-to-Medium Extenders available in phenolic and porcelain
- Pony Cleat Receptacles have open wiring terminals
- Two-piece surface-type lampholders have concealed wiring terminals with wireways for top and continuous wiring

TESTING & CODE COMPLIANCE

- UL Listed (File #E-3810; E-13396)
- CSA Certified (File #LR-1863)

Porcelain and Phenolic Lampholders

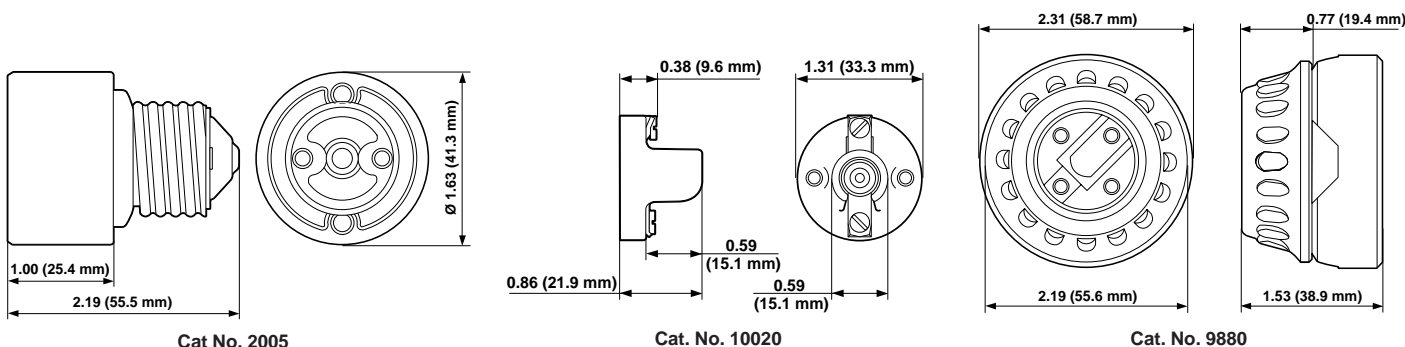
Pony Cleat Type

DESCRIPTION	CAT. NO.	RATING	OD	OH	C
Candelabra Base; Plastic. Not UL Listed★	10028	75W 125V	17/16	7/8	1 1/8
Miniature Base, Plastic. Not UL Listed★	10020	75W 125V	15/16	7/8	31/32
Medium Base, Phenolic	9063	660W 250V	17/8	1 1/2	1 15/16
Medium Base, Porcelain	19062	660W 250V	17/8	1 1/2	1 15/16

Surface Type

DESCRIPTION	CAT. NO.	RATING	OD	OH	C
Medium Base; Porcelain; Low 2-Piece	9880	660W 250V	2 5/16	1 1/2	1 3/8
Medium Base; Porcelain; High 2-Piece★	9882	660W 250V	2 5/16	1 7/8	1 3/8

All devices are UL Listed. Also CSA Certified except where indicated by★



Incandescent Lampholders

Porcelain Snap-In Lampholders — Medium Base

Screw Terminals

DESCRIPTION	CAT. NO.	RATING	OD	OH
1-Piece, Front Mounted. 1/4" Shoulder. Panel Thickness: .025 – .062"	8880	660W 250V	1 11/16	1 1/2
1-Piece, Front Mounted. Shallow Back. Panel Thickness: .030 – .062"	8875	660W 250V	1 11/16	1 11/16

Porcelain Keyless Lampholders Commercial Units — Medium Base

Single Circuit Screw Terminals

DESCRIPTION	CAT. NO.	RATING	OD	OH
Straight Body with Cap. Screw Terminals.	10045	660W 250V	1 1/2	2 1/8
Beaded Body for 1 1/2" Clamp Style Shadeholder with Cap. Screw Terminals.	10065	660W 250V	Body 1 1/2 Bead 1 5/8	2 1/8
Adjustable Glass Retaining Ring with Cap and Ring Nut. Screw Terminals.	20070	660W 250V	2 1/4 ringnut	—
Straight Body with Leads. No. 18 AWG 105°C Plastic; 9" Long, Stripped 3/4" with Two 6/32 Mounting Screws	10085	660W 250V	1 1/2	1 11/16

Porcelain Keyless Fixture Single Circuit — Medium Base

Screw Terminals

DESCRIPTION	CAT. NO.	RATING	OD	OH
1-Piece, Front Mounted for Fixture or Sign Use. Tapped 8-32 Bushings, Mounting Centers 1 13/16".	9885	660W 600V	1 5/8	1 7/16
2-Piece, Ring Type	9350	660W 250V	1 3/4	1 3/8
1-Piece with Removable Strap★	8871	660W 250V	1 11/16	1 9/16
Fixture Pan Lampholder with 1/8" IPS Hickey	3152-8	660W 250V	1 3/8	1 7/16

Leads

DESCRIPTION	CAT. NO.	RATING	OD	OH
2-Piece Ring Type with Leads: No. 18 AWG, 105°C Plastic; 9" Long, Stripped 3/4"	8101	660W 250V	1 3/4	1 3/8
Angle Pan with Leads: No. 18 AWG Type AF 150°C Plastic; 9" Long, Stripped 3/4"	18315	660W 250V	—	—
Removable Bracket with Leads	8052-1	660W 250V	1 3/8	1 7/16

Two-Piece Pull Chain

DESCRIPTION	CAT. NO.	RATING	OD	OH
Ring Type; Screw Terminals; Gasket Furnished★	9814	250W 250V	1 13/16	1 13/16

All devices are UL Listed. Also CSA Certified except where indicated by★



8880



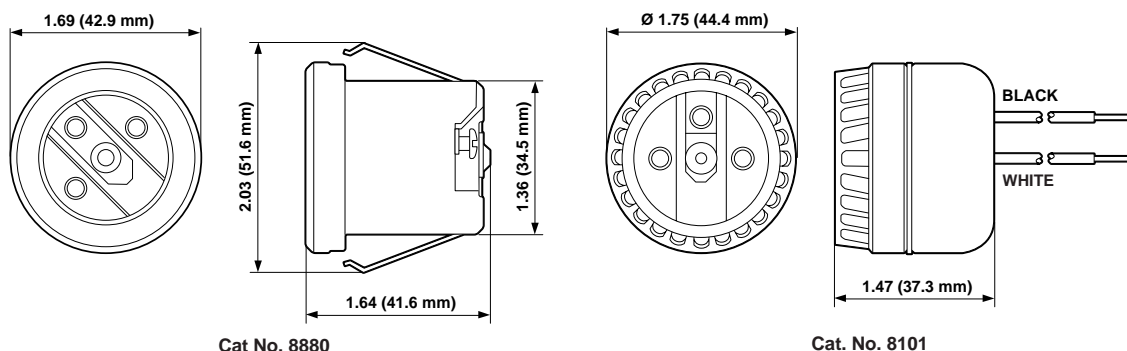
8101

SPECIFICATIONS & FEATURES

- Suitable for a wide variety of fixtures, signs and displays
- Unglazed base and ring on two-piece lampholders
- Gasket supplied with two-piece ring type rated at 90°C dry maximum

TESTING & CODE COMPLIANCE

- UL Listed (File #E-3810)
- CSA Certified (File #LR-1863)



Cat No. 8880

Cat. No. 8101

Incandescent Lampholders



3352-1



554

SPECIFICATIONS & FEATURES

- Cat. No. 3352 lampholder bodies have wireways
- Side-Mounted lampholders are white glazed porcelain with copper-alloy screwshell
- Recessed Single-Contact lampholders have porcelain body with nickel-plated steel housing

TESTING & CODE COMPLIANCE

- UL Listed (File #E-3810)
- CSA Certified (File #LR-1863)

Phenolic Keyless Fixture — Medium Base

Screw Terminals

DESCRIPTION	CAT. NO.	RATING
Permanent Bracket. Terminal Screws Backed Out and Staked	3352-1	660W 250V
Same as 3352-1, with Shorter Bracket	3352-F	660W 250V
Removable Hickey. Terminal Screws Backed Out and Staked	3352-8	660W 250V

Hickeys and brackets are available in various types and sizes. Consult our sales office for more information.

Porcelain Keyless, Side-Mounted — Medium Base

Screw Terminals

DESCRIPTION	CAT. NO.	RATING
Single Lampholder w/Side Outlet Bushing— $\frac{1}{8}$ IPS	10091	660W 250V
Twin Lampholder w/Bushed Flange— $\frac{1}{8}$ IPS	4010	660W 250V
Twin Lampholder w/Single Outlet Bushing— $\frac{1}{8}$ IPS	4005	660W 250V
Same as 4005 with $\frac{3}{8}$ IPS Bushing	4006	660W 250V

All bushings are tapped and have set screw

Lampholders for Recessed Single Contact Lamps

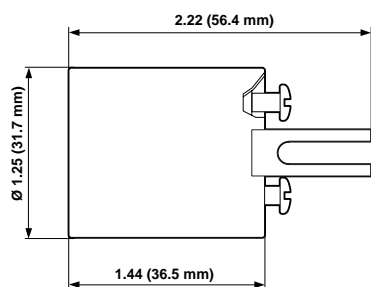
DESCRIPTION	CAT. NO.	RATING
Front Flange Mount. Standard Leads are No. 18 AWG, Type SEW-2, 200°C, 18" Long, Stripped $\frac{3}{4}$ "	554	3000W 600V
Rear Flange Mount. Same Leads and Specs as No. 554	555	3000W 600V

Candle Sockets, Bottom Turn Knob — Medium Base

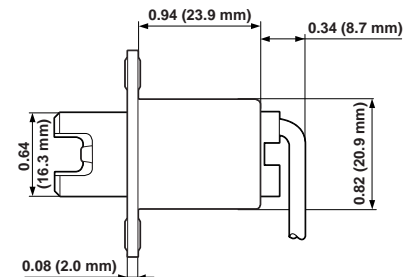
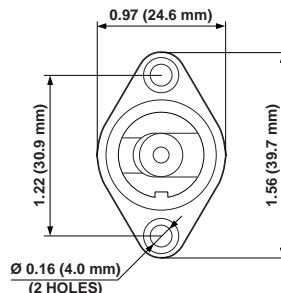
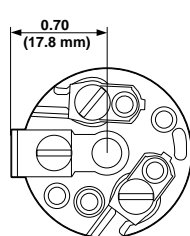
Screw Terminals

DESCRIPTION	CAT. NO.	RATING
Three-light, two-piece phenolic husk. Lighting sequence: LO-MED-HI-OFF★	4063	250W 250V

All devices are UL Listed. Also CSA Certified except where indicated by★



Cat No. 3352-1



Cat. No. 554

Incandescent Lampholders

Candle Sockets, Bottom Turn Knob — Medium Base

Screw Terminals

DESCRIPTION	CAT. NO.	RATING
1-Piece Phenolic Body; 2 Leg Bracket; Single Light; Removable Interior; Knurl Nut and Lock Nut	4155	660W 250V
2-Piece Phenolic Husk & Removable Interior Husk; Single Light; Knurl Nut	4158	660W 250V

Candle Sockets, Keyless* — Medium Base

Fiber-Disc Body, Screw Terminals

DESCRIPTION	CAT. NO.	RATING
Solid Hickey, 2" Overall Height	8684	660W 250V
Adjustable Hickey. Overall Height: 4 – 5¾"	9800	660W 250

*Insulating paper liner pushes down against hickey projections.

NOTE: These items are designed for use with standard socket candle tubes (1¹⁵/₁₆" dia.) and require a minimum of 1³/₁₆" dia. flat bottom of candle cup for clearance.

Candle Sockets, Phenolic — Medium Base

With Removable Turn Knob, Screw Terminals

DESCRIPTION	CAT. NO.	RATING
Removable Knob (Short Type), Adjustable Hickey. Overall Height: 4 – 5½"	9805*	250W 250V
Removable Knob, Removable 1-Leg Hickey. Overall Height: 2 ⁷ / ₁₆ "	9805-A*	250W 250V

NOTE: These items are designed for use with standard socket candle tubes (1¹⁵/₁₆" dia.) and require a minimum of 1³/₁₆" dia. flat at bottom of candle for clearance.

Candelabra Base, Keyless*

DESCRIPTION	CAT. NO.	RATING
Screw Terminals; Solid Hickey. Overall Height: 2"	10025	75W 125V
Screw Terminals; Solid Hickey. Overall Height: 1½"	10027	75W 125V
Screw Terminals; Adjustable Hickey: 3¼ – 4¾"	10026	75W 125V
Double Snap-In Spring Clips. Height of socket from panel is 1". Leads are No. 18 AWG 105°C plastic, 24" long, stripped ½"	10014-800	75W 125V

*7/8" candle tube. All hicckeys tapped 1/8 IPS.

All devices are UL Listed and CSA Certified.

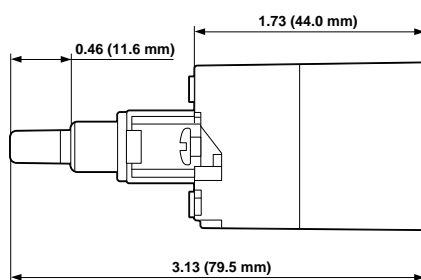


SPECIFICATIONS & FEATURES

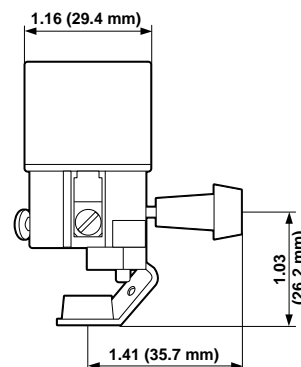
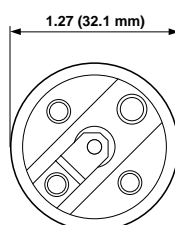
- Candle sockets for single-light applications
- Fiber Disc Body for use with standard candle tubes
- Spring-tempered steel clip holds Cat. No. 10014-800 socket rigidly in place

TESTING & CODE COMPLIANCE

- UL Listed (File #E-3810; E-13400)
- CSA Certified (File #LR-1863)



Cat No. 4155



Cat. No. 9805-A

Incandescent Lampholders



20025



55

Candle Sockets — Porcelain

Candelabra Base Screw Terminals

DESCRIPTION	CAT. NO.	RATING
Solid Hickey.* Overall Height: 2³/₃₂" ★	20025	75W 125V

*Other hickey sizes available

Keyless Heavy Duty Phenolic Single Circuit Lampholders

Two-Piece Pin Type

DESCRIPTION	CAT. NO.	RATING
Candelabra Base, Detachable Zinc-Plated Wire Hook. Accepts No. 20 – No. 18 Stranded Insulated Wire	267**	75W 125V
Medium Base, Detachable Zinc-Plated Wire Hook. Accepts No. 14 – No. 12 Stranded Insulated Wire	167**	660W 250V

Note: Linings assembled.

**For temporary lighting — not waterproof.

Pigtail Type Medium Base with Leads

DESCRIPTION	CAT. NO.	RATING
Vinyl, Phenolic Interior & Screw Shell, Brass Shell Contact. Leads are No. 14 AWG, 6" Long, Stripped 3/4", Molded into Boots	55**	660W 250V
Phenolic with Brass Screw Shell. Leads Soldered and Hot Waxed in Deep Well are No. 14 AWG 6" Long	157**	660W 250V
Same as 157 above, with Left-Hand Screw Shell	157-X**	660W 250V
Rubber, Aluminum Screwshell. Leads are No. 16 AWG, 6" Long, Soldered to Terminals and Sealed in Rubber Boot★	124-D	660W 250V

**For temporary lighting—not waterproof.

All devices are UL Listed except Cat.No. 124-D. Also CSA Certified except where indicated by★

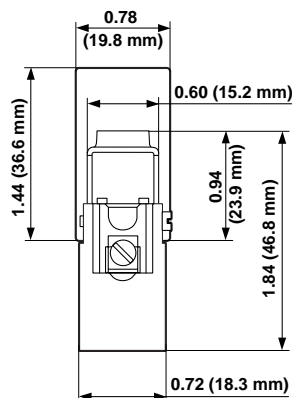
Note: The listed products may be used at construction sites provided that bulb cages are used and suitable splices are made. The listing for the products meets the OSHA requirement and is made for open wiring without a separate outlet box.

SPECIFICATIONS & FEATURES

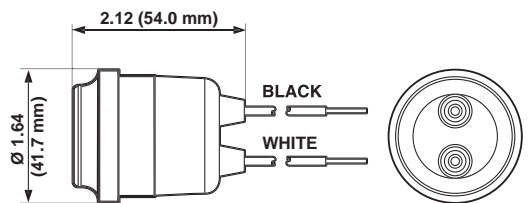
- Candle socket has white unglazed porcelain body with aluminum screw shell
- Choice of Pin-Type or Pigtail Type for temporary lighting applications
- Two-Piece Pin Type automatically pierces wire leads

TESTING & CODE COMPLIANCE

- UL Listed (File #E-13400) 267**
- UL Listed (File #E-3810) 55**, 157**, 157-X** and 167**
- CSA Certified (File #LR-1863)



Cat No. 20025



Cat. No. 55

Fluorescent Lampholders

For High Output Lamps — Recessed Double Contact, Pedestal Type

DESCRIPTION	CAT. NO. PLUNGER	CAT. NO. FIXED	RATING
Screw Mount, Straight-in wiring Through Wireways or Screw Terminals*	464	465	660W 600V
Slide-on, Shallow Base, Quickwire Terminals*	13550	13551	660W 600V
Slide-on, Shallow Base for Power Groove and Jacketed Lamps, Quickwire Terminals*	13556	13557	660W 600V

For Slimline, Single Pin Lamps

DESCRIPTION	CAT. NO. PLUNGER	CAT. NO. FIXED	RATING
Butt-On Surface Mounting, 12" Leads	452	453	660W 1000V 660W 600V
Pedestal Base, Slide-On	466	467	660W 1000V 660W 600V
Shallow Base, Slide-On or Lock-On Mounting, Quickwire Terminals*	2536	2537	660W 1000V 660W 600V

For Medium Bi-Pin Lamps

DESCRIPTION	CAT. NO. WHITE	RATING
Thin Body, Quickwire Terminals Accommodate Rapid-Start Circuits	431-W	660W 600V
Pedestal type, Straight-in Wiring Through Wireways or Screw Terminals	390-1W	660W 600V
Same as above, with Starter Base	391-1W	660W 600V



464



2536

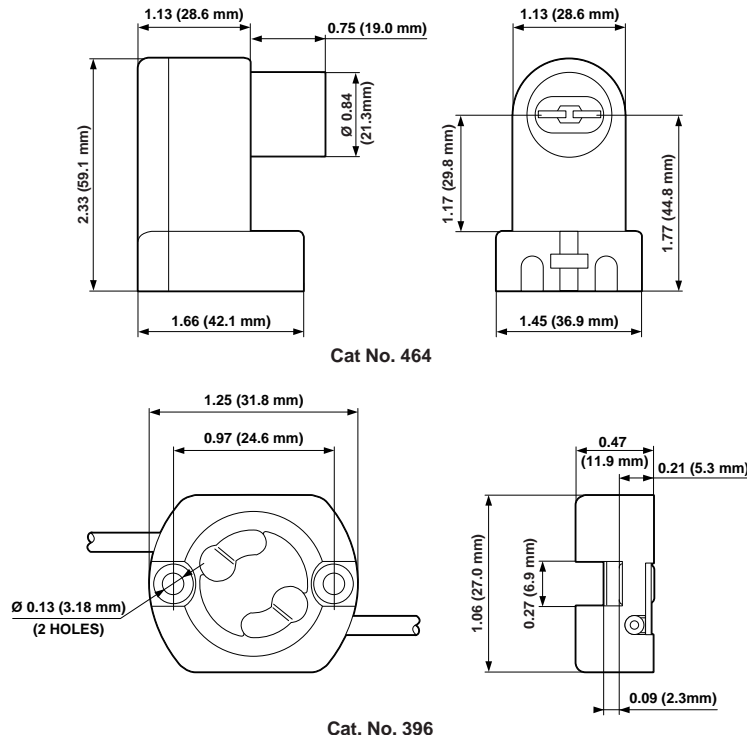
Starter Bases

For Medium Bi-Pin Lamps

DESCRIPTION	CAT. NO.	RATING
Starter Base; Screw Terminals, Black	380	660W 250V
Starter Base; with Leads, Black	396	660W 250V

All devices are UL Listed and CSA Certified.

*Suitable for outdoor applications when properly enclosed



Cat No. 464

Cat. No. 396

SPECIFICATIONS & FEATURES

- Silver-plated copper alloy contacts
- Quickwire terminals accept No. 18 AWG twisted and tinned, solder-dipped or solid leads
- Lampholders are white, starter bases are black

TESTING & CODE COMPLIANCE

- UL Listed (File #E-5833)
- CSA Certified (File #LR-1863; LR-5863; LR-2200)
- NOM Certified (#057)

Fluorescent Lampholders



395-W



13518

*For Medium & Miniature Bi-Pin Lamps — Surface Mount with Leads**

DESCRIPTION	CAT. NO. WHITE	RATING
Rapid-Start Medium Bi-Pin, 9" leads	395-W	660W 600V
Rapid-Start Medium Bi-Pin, Disconnect (paired with Cat. No. 395-W), 9" leads	389-W	660W 600V
Miniature Bi-Pin for T5 Lamp, 6" leads	420-W	75W 250V

*Leads are No. 18 AWG, 105°C plastic insulated wire

For Slimline, Medium Bi-Pin, High Output Lamps — Snap-In with Quickwire

DESCRIPTION	CAT. NO. PLUNGER	CAT. NO. FIXED	RATING
Slimline	516	517	660W 1000V 660W 600V
Medium Bi-Pin	518†	519†	660W 600V 660W 600V
Medium Bi-Pin, Stainless Steel Coverplate & Clip	13518	13519	660W 600V 660W 600V
Medium Bi-Pin, Same as above, with Internal Shunt for Use with Electronic Ballasts	23518	23519	660W 600V 660W 600V
High Output 800mA and 1500mA	523	524	660W 600V 660W 600V

†When existing stock is depleted this item will be DISCONTINUED.

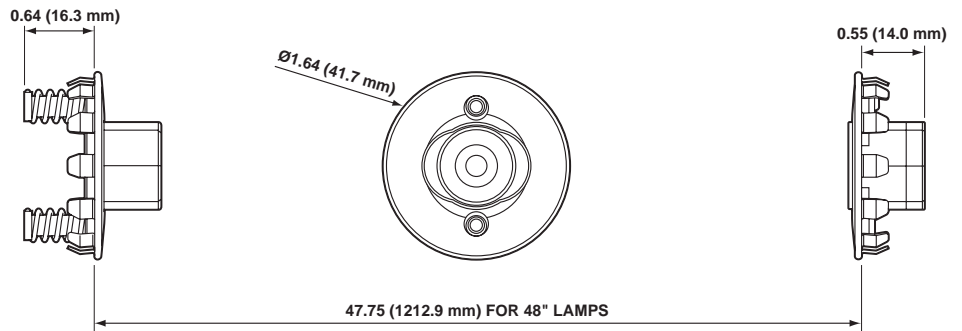
All devices are UL Listed and CSA Certified.

SPECIFICATIONS & FEATURES

- Versatile snap-in mounting reduces fixture assembly time
- Quickwire terminals accept either No. 18 AWG (stranded, twisted or tinned), No. 18 AWG solid or No. 16 AWG solid.
- Internal Shunt versions stamped "S" on back for easy identification

TESTING & CODE COMPLIANCE

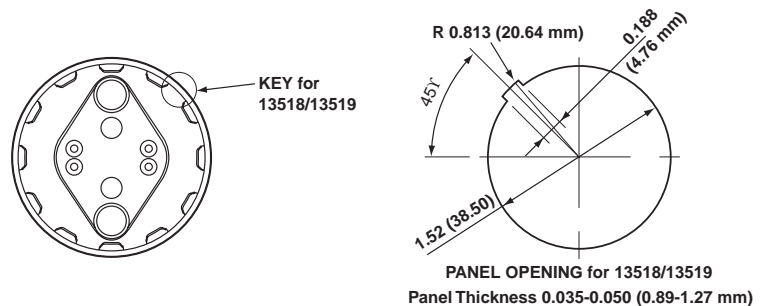
- UL Listed (File #E-5833)
- CSA Certified (File #LR-5863; LR-1863)
- NOM Certified (#057)



Cat. No. 13518
Plunger style

Cat. No. 13519
Stationary style

Cat No. 13500 Spacing



Fluorescent Lampholders

For Medium Bi-Pin Lamps — Turn-Type

DESCRIPTION	CAT. NO.	RATING
Low Profile, Slide-On, with Captive Nut	13353-N	660W 600V
Tall Profile, Slide-On, with Captive Nut	13357-N	660W 600V
Tall Profile without Side Grooves, Slide-On, with Captive Nut	13359-N	660W 600V
Low Profile Disconnect, Slide-On	13351-D	660W 600V
Tall Profile Disconnect, Slide-On	13354-D	660W 600V
Low-Profile; Shunted, Slide-On	23351	660W 600V

For Medium Bi-Pin Lamps — Straight-In

DESCRIPTION	CAT. NO.	RATING
Low Profile, Slide-On	13150-UR5	660W 600V
Self-Locking; Slide-In, with Captive Nut. For use with T-8 Lamps	13451-N	660W 600V

For Medium Bi-Pin Lamps — Snap-In/Slide-On Design and Lamp-Lock

DESCRIPTION	CAT. NO.	RATING
Snap-In or Slide-On Mounting Featuring Lamp-Lock, with Panel Locator Post. For T-8 and T-12 Lamps	13653-WP	660W 600V
Same as Above, Less Locator Post	13653-NP	660W 600V
Same as 13653-WP, Except with Internal Shunt Connection for Electronic Ballasts	23653-WP	660W 600V
Same as Above, Less Locator Post	23653-NP	660W 600V
Snap-In or Slide-On Mounting Featuring Lamp-Lock, Optional Panel Locator Post. Dedicated for Energy-Efficient T-8 Lamps Only	13652-WP	660W 600V
Same as 13652, Except with Internal Shunt Connection for Electronic Ballasts	23652-WP	660W 600V

All devices are UL Listed and CSA Certified.



13653-WP



13357-N

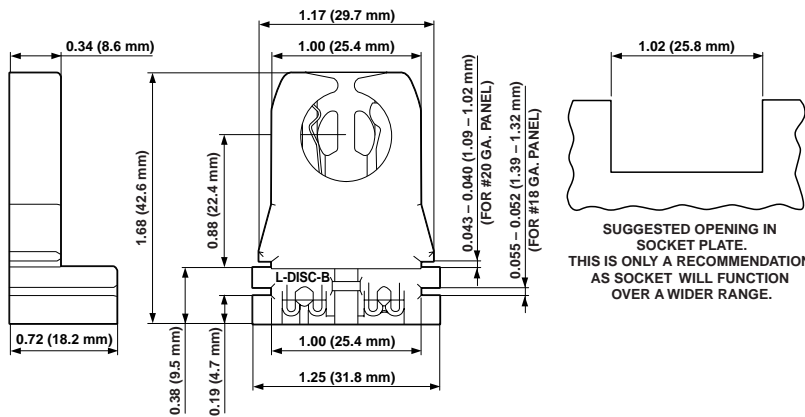
SPECIFICATIONS & FEATURES

Lamp-Lock

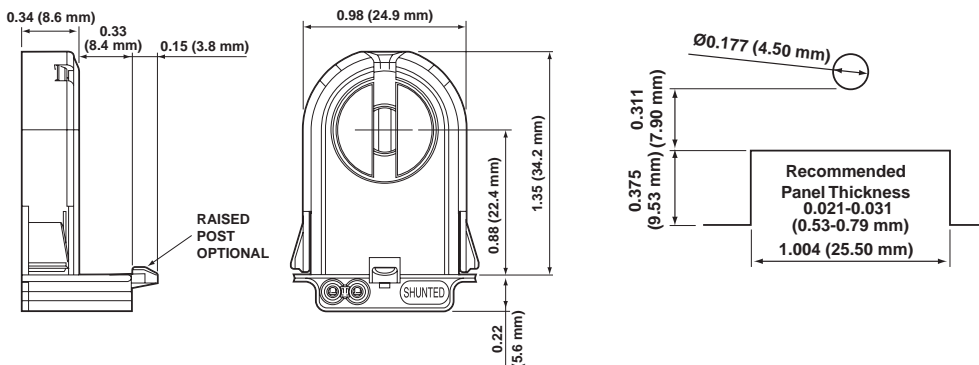
- Four-position lamp-lock socket rotates 90°, forward and back, for quick relamping
- Lamp-Lock models have slim, low profile silhouette that fits 22 to 25 gauge panels
- Chemical-resistant white thermoplastic body

TESTING & CODE COMPLIANCE

- UL Listed (File #E-5833)
- CSA Certified (File #LR-1863; LR-5863; LR-2200)
- NOM Certified (#057)



Cat No. 13351-D



Cat No. 23653-WP

Long Twin Tube with 2G11 Base



13453



13454

4-Pin Long Twin-Tube with 2G11 Base — Slide-In Mounting

DESCRIPTION	CAT. NO.	RATING
Slide-In for 18-20 Ga. Panels, Quickwire Terminals	13452	660W 600V
Plastic Lamp Support clip, Slide-On	23452-A	—
Plastic Lamp Support clip, Screw Mount	23452-B	—

4-Pin Long Twin-Tube with 2G11 Base — Bottom or Back Mounting

DESCRIPTION	CAT. NO.	RATING
Vertical Snap-In Mounting, Side Push-In Wiring	13453	660W 600V
Same as above, with Internal Shunt Connection for Electronic Ballasts	23453	660W 600V
Horizontal Snap-In Mounting, Bottom Push-In Wiring	13454	660W 600V
Same as above, with Internal Shunt Connection for Electronic Ballasts	23454	660W 600V
Horizontal Screw-Mount, Bottom Push-In Wiring	13455	660W 600V
Same as above, with Internal Shunt Connection for Electronic Ballasts	23455	660W 600V
Horizontal Snap-In Lamp Support Clip. UV-Stable, Clear Polycarbonate	23452-H	—
Vertical Snap-In Lamp Support Clip. UV-Stable, Clear Polycarbonate	23452-V	—

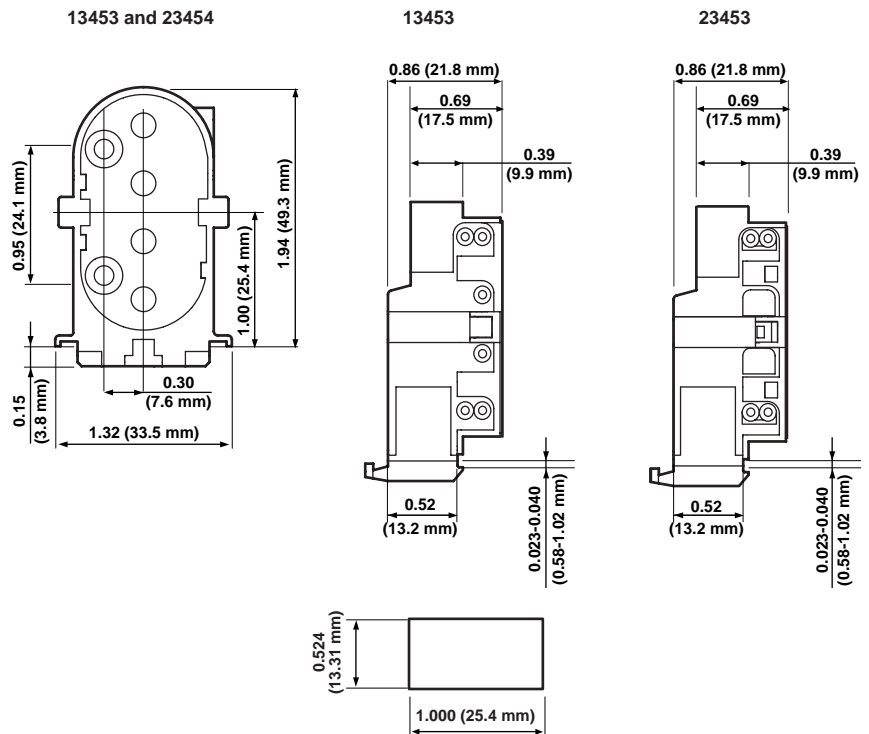
All devices are UL Listed and CSA Certified.

SPECIFICATIONS & FEATURES

- Vertical Snap-In model allows wires to be routed on either top or bottom of panel
- Two wiring ports per contact speed harness wiring
- Internal Shunt models eliminate need for extra jumper wire in fixtures designed for electronic ballasts
- Low-profile design for smaller, more compact fixtures
- Superior metal-spring lamp retainer clips

TESTING & CODE COMPLIANCE

- UL Listed (File #E-5833)
- CSA Certified (File #LR-1863)
- NOM Certified (File #057)



SUGGESTED PANEL CUTOUT
 PANEL-THICKNESS
 .023-.039 (0.58-0.99 mm) MAX.
 INCLUDING PAINT

Cat Nos. 13453 and 23454

Compact Fluorescent Lampholders (CFL's)

10mm Compact Fluorescent Lampholders

For G23 and G23-2 Lamp Bases
Rating: 75 WATT 600V

MOUNTING	CAT. NO.	COLOR	LAMP BASE	PHILIPS	OSRAM SYLVANIA	GE LIGHTING
Horizontal Snap-In	26719-100	White	G23, G23-2			
Horizontal Screw-Down	26719-200	White	G23, G23-2	PL-S, 5W, 7W, 9W	DULUX S 5W, 7W, 9W DULUX D 9W	BIAX, 5W, 7W, 9W
Vertical Top Snap-In	26719-300*	White	G23			
4-Hole Vertical Screw-Down	26719-400	White	G23, G23-2			DOUBLE BIAX 9W
Vertical Bottom Snap-In	26719-500	White	G23, G23-2			

*Not compatible with 9-watt DTT lamps

For GX23 and GX23-2 Lamp Bases
Rating: 75 WATT 600V

MOUNTING	CAT. NO.	COLOR	LAMP BASE	PHILIPS	OSRAM SYLVANIA	GE LIGHTING
Horizontal Snap-In	26720-100	White w/Black	GX23, GX23-2			
Horizontal Screw-Down	26720-200	White w/Black	GX23, GX23-2	PL-S 13W PL-C 13W	DULUX S 13W DULUX D 13W	BIAX 13W DOUBLE BIAX 13W
Vertical Top Snap-In	26720-300*	White w/Black	GX23			
4-Hole Vertical Screw-Down	26720-400	White w/Black	GX23, GX23-2			
Vertical Bottom Snap-In	26720-500	White w/Black	GX23, GX23-2			
For 18-20 Ga. Panels	26720-520					

*Not compatible with 13-watt DTT lamps
All devices are UL Listed and CSA Certified.



26719-400



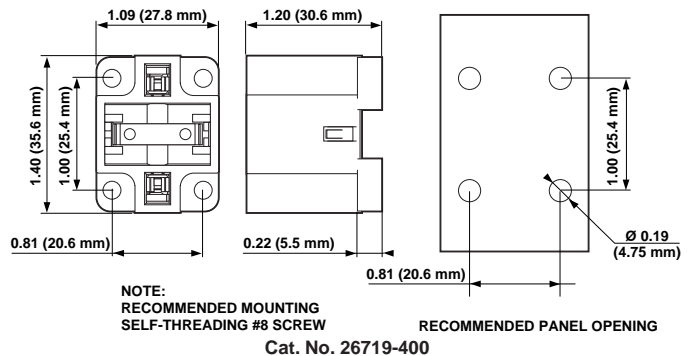
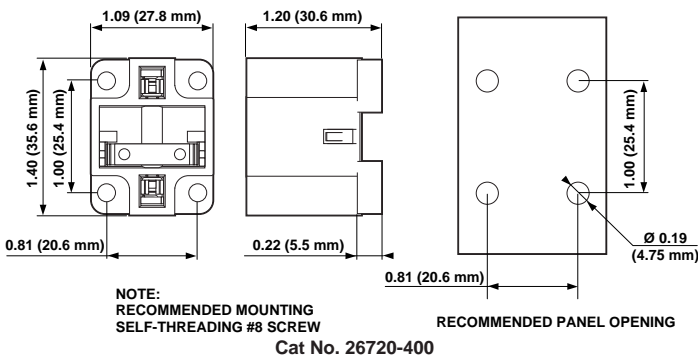
26720-400

SPECIFICATIONS & FEATURES

- "Smart" CFL Lampholders are color-coded for easy wattage identification
- Bottom snap-in versions for easier panel assembly
- Snap-In versions designed for 16 Ga. panels, except where noted
- Metal-spring lamp-retainer clip provides positive lamp retention and is more durable than plastic clips
- Two wiring ports per contact speed harness wiring
- Four screw holes for greater mounting flexibility
- Wire-routing options for top or bottom side of mounting panel for easier assembly
- White thermoplastic body

TESTING & CODE COMPLIANCE

- UL Listed (File #E-5833)
- UL Listed for indoor and outdoor applications when properly enclosed
- CSA Certified (File #LR-1863)



Compact Fluorescent Lampholders (CFL's)



26725-202



26725-401

SPECIFICATIONS & FEATURES

- "Smart" CFL Lampholder are color-coded for easy wattage identification
- Bottom snap-in versions for easier panel assembly
- Snap-In versions designed for 16 Ga. panels, except where noted
- All 4-pin lampholders have internal rejection feature that prevents insertion of 2-pin lamps
- Metal-spring lamp-retainer clip provides positive lamp retention and is more durable than plastic clips
- Two wiring ports per contact speed harness wiring
- Four screw holes for greater mounting flexibility
- Wire-routing options for top or bottom side of mounting panel for easier assembly
- White thermoplastic body

TESTING & CODE COMPLIANCE

- UL Listed (File #E-5833)
- UL Listed for indoor and outdoor applications when properly enclosed
- CSA Certified (File #LR-1863)

10mm Compact Fluorescent Lampholders

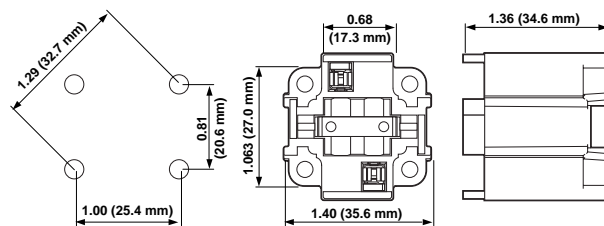
For G24d Lamp Bases 2-Pin — Rating: 75 WATT 600V

MOUNTING	CAT. NO.	COLOR	LAMP BASE	PHILIPS	OSRAM SYLVANIA	GE LIGHTING
Bottom Snap-In For 18-20 Ga. Panels	26725-201 26725-221	White w/Black	G24d-1	PL-C 10W, 13W	DULUX D 10W, 13W	DOUBLE BIAx 10W, 13W
Bottom Snap-In For 18-20 Ga. Panels	26725-202 26725-222	Green	G24d-2	PL-C 18-W	DULUX D 18W	DOUBLE BIAx 18W
Bottom Snap-In For 18-20 Ga. Panels	26725-203 26725-223	Orange	G24d-3	PL-C 26W	DULUX D 26W	DOUBLE BIAx 26W
4-Hole Bottom Screw-Down	26725-211	White w/Black	G24d-1	PL-C 10W, 13W	DULUX D 10W, 13W	DOUBLE BIAx
4-Hole Bottom Screw-Down	26725-212	Green	G24d-2	PL-C 18W	DULUX D 18W	DOUBLE BIAx 18W
4-Hole Bottom Screw-Down	26725-213	Orange	G24d-3	PL-C 26W	DULUX D 26W DULUX T 26W	DOUBLE BIAx 26W

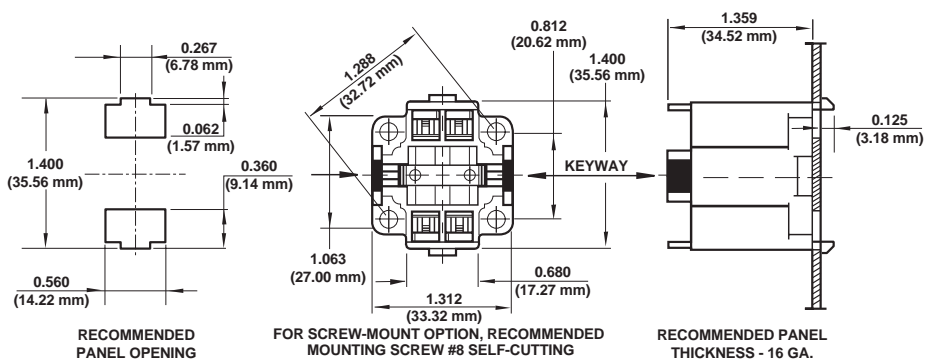
For G24q and GX24q Lamp Bases 4-Pin — Rating: 75 WATT 600V
Suitable for Dimming or Electronic Ballasts

MOUNTING	CAT. NO.	COLOR	LAMP BASE	PHILIPS	OSRAM SYLVANIA	GE LIGHTING
Bottom Snap-In For 18-20 Ga. Panels	26725-401 26725-421	White w/Black	G24q-1	PL-C 10W, 13W	DULUX D/E 10W, 13W	DOUBLE BIAx 10W, 13W
Bottom Snap-In For 18-20 Ga. Panels	26725-402 26725-422	Green	G24q-2	PL-C 18W	DULUX D/E 18W	DOUBLE BIAx 18W
Bottom Snap-In For 18-20 Ga. Panels	26725-403 26725-423	Orange	G24q-3, GX24q-3	PL-C 26W PL-T 26W, 32W	DULUX D/E DULUX T/E 26W	DOUBLE BIAx
Bottom Snap-In For 18-20 Ga. Panels	26725-404 26725-424	Yellow	GX24q-4	PL-T 42W	DULUX T/E 42W	PERFORMANCE BIAx 42W
Bottom Snap-In for Universal ballast only, 18-20 Ga. Panels	26725-429	White	G24q-3 GX24q-4	PL-T 26W, 32W, 42W	DULUX T/E 26W, 32W, 42W	TRIPLE BIAx 26W, 32W, 42W
4-Hole Bottom Screw-Down	26725-411	White w/Black	G24q-1	PL-C 10W, 13W	DULUX D/E 10W, 13W	DOUBLE BIAx 10W, 13W
4-Hole Bottom Screw-Down	26725-412	Green	G24q-2	PL-C 18W	DULUX D/E 18W	DOUBLE BIAx 18W
4-Hole Bottom Screw-Down	26725-413	Orange	G24q-3, GX24q-3	PL-C 26W PL-T 26W, 32W	DULUX D/E DULUX T/E 26W, 32W	DOUBLE BIAx 26W
4-Hole Bottom Screw-Down	26725-414	Yellow	GX24q-4	PL-T 42W	DULUX T/E 42W	PERFORMANCE BIAx 42W
4-Hole bottom Screw-Down for Universal ballast only	26725-419	White	G24q-3 GX24q-4	PL-T 26W, 32W, 42W	DULUX T/E 26W, 32W, 42W	TRIPLE BIAx 26W, 32W, 42W

Note: Lamp names are trademarked by manufacturers



Cat No. 26725-213



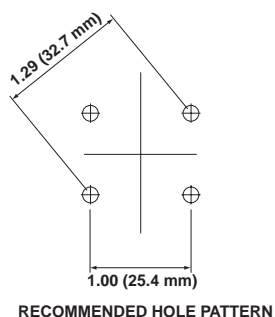
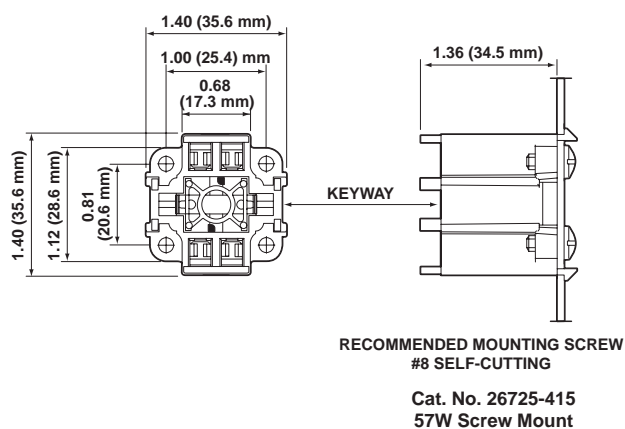
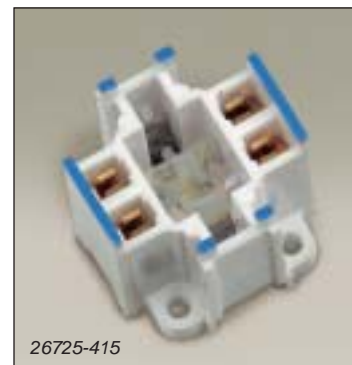
Cat. No. 26725-401

Compact Fluorescent Lampholders (CFL's)

10mm Compact Fluorescent Lampholders for High-Wattage Lamps

For GX24q Lamp Bases, 4-Pin — Rating: 75 WATT 600V
Suitable for Dimming or Electronic Ballasts

MOUNTING	CAT. NO.	COLOR	LAMP BASE	OSRAM SYLVANIA	GE LIGHTING
Bottom Snap-In for 16 Ga. Panels	26725-405	Blue	GX24q-5	DULUX T/E 57W	BIAX Q/E 57W
4-Hole Bottom Screw-Down	26725-415	Blue	GX24q-5	DULUX T/E 57W	BIAX Q/E 57W
2-Hole Bottom Screw-Down, Round Body	26725-4A5	Blue	GX24q-5	DULUX T/E 57W	BIAX Q/E 57W
Bottom Snap-In for 18–20 Ga. Panels	26725-425	Blue	GX24q-5	DULUX T/E 57W	BIAX Q/E 57W
Bottom Snap-In for 16 Ga. Panels	26725-406	Red	GX24q-6	—	BIAX Q/E 70W
4-Hole Bottom Screw-Down	26725-416	Red	GX24q-6	—	BIAX Q/E 70W
2-Hole Bottom Screw-Down, Round Body	26725-4A6	Red	GX24q-6	—	BIAX Q/E 70W
Bottom Snap-In for 18–20 Ga. Panels	26725-426	Red	GX24q-6	—	BIAX Q/E 70W



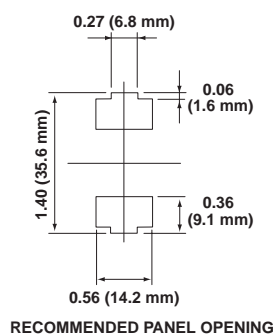
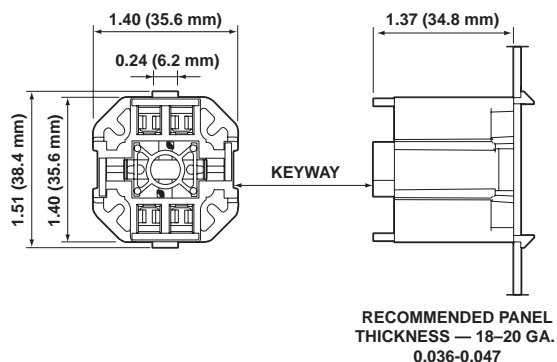
RECOMMENDED HOLE PATTERN

SPECIFICATIONS & FEATURES

- “Smart” CFL Lampholders are color-coded for easy wattage identification
- Bottom Snap-In versions for easier panel assembly available for 16 Ga. and 18–20 Ga. panels
- All 4-pin lampholders have internal rejection feature that prevents insertion of 2-pin lamps
- Metal-spring lamp-retainer clip provides positive lamp retention
- Two wiring ports per contact speed harness wiring
- Wire-routing options for top or bottom side of mounting panel for easier assembly
- Bodies are white thermoplastic (with color-coding as indicated)
- Quick-connect push-in wiring terminals accept No. 18 AWG solid or twisted-and-overtinned leads, stripped 3/8 inch

TESTING & CODE COMPLIANCE

- UL Listed (File #E-5833)
- UL Listed for indoor and outdoor applications when properly enclosed
- CSA Certified (File #LR-1863)
- NOM Certified (#057)



RECOMMENDED PANEL OPENING

Compact Fluorescent Lampholders (CFL's)



26725-2A1



26725-4A4

10mm Compact Fluorescent Lampholders with Round Bodies

For G24d Lamp Bases, 2-Pin — Rating: 75 WATT 600V
Bottom Screw-Down Mounting

CAT. NO.	COLOR	LAMP BASE	PHILIPS	OSRAM SYLVANIA	GE LIGHTING
26725-2A1	Black	G24d-1	PL-C 10W, 13W	DULUX D 10W, 13W	DOUBLE BIAX 10W, 13W
26725-2A2	Green	G24d-2	PL-C, 18W	DULUX D, 18W DULUX T, 18W	DOUBLE BIAX 18W
26725-2A3	Orange	G24d-3	PL-C, 26W	DULUX D, 26W DULUX T, 26W	DOUBLE BIAX 26W

For G24q and GX24q Lamp Bases, 4-Pin — Rating: 75 WATT 600V
Bottom Screw-Down Mounting — Suitable for Dimming or Electronic Ballasts

CAT. NO.	COLOR	LAMP BASE	PHILIPS	OSRAM SYLVANIA	GE LIGHTING
26725-4A1	Black	G24q-1	PL-C 10W, 13W	DULUX-D 10W, 13W	DOUBLE BIAX 10W, 13W TRIPLE BIAX 13W
26725-4A2	Green Green	G24q-2 GX24q-2	PL-C, 18W PL-C, 18W	DULUX D, 18W DULUX T/E, 18W	DOUBLE BIAX, 18W TRIPLE BIAX, 18W
26725-4A3	Orange Orange	G24q-3 GX24q-3	PL-C, 26W PL-T 26W, 32W	DULUX D, 26W DULUX T/E 26W, 32W	DOUBLE BIAX, 26W TRIPLE BIAX 26W, 32W
26725-4A4	Yellow	GX24q-4	PL-T, 42W	DULUX T/E, 42W	PERFORMANCE BIAX 42W
26725-4A5	Blue	GX24q-5	—	DULUX T/E, 57W	BIAX Q/E, 57W
26725-4A6	Red	GX24q-6	—	—	BIAX Q/E, 70W
26725-4A9 Universal*	No color code White body only	G24q-3 GX24q-4	PL-T 26W, 32W 42W	DULUX T/E 26W, 32W, 42W	TRIPLE BIAX 26W, 32W, 42W

*For use with universal ballast only

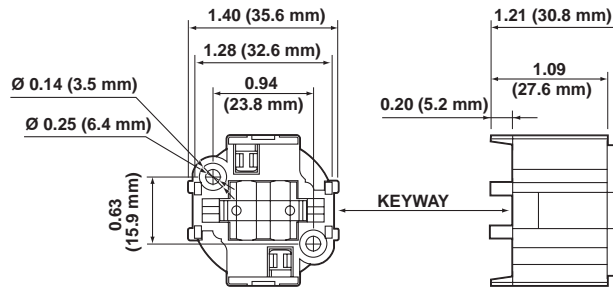
Note: Lamp names are trademarked by manufacturers

SPECIFICATIONS & FEATURES

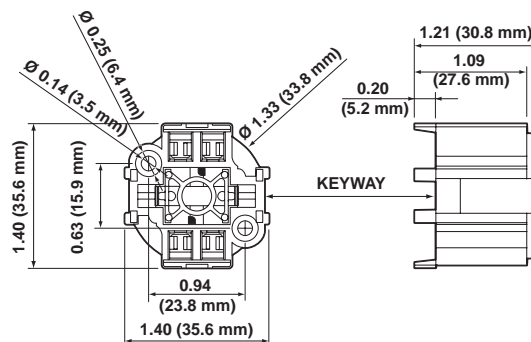
- "Smart" CFL Lampholders are color-coded for easy wattage identification
- All 4-pin lampholders have internal rejection feature that prevents insertion of 2-pin lamps
- Metal-spring lamp-retainer clip provides positive lamp retention and is more durable than plastic clips
- Two wiring ports per contact speed harness wiring
- Wire-routing options for top or bottom side of mounting panel for easier assembly
- Bodies are white thermoplastic (with color-coding as indicated)
- Quick-connect push-in wiring terminals accept No. 18 AWG solid or twisted-and-overtinned leads, stripped 3/8 inch

TESTING & CODE COMPLIANCE

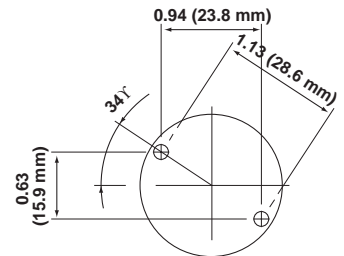
- UL Listed (File #E-5833)
- UL Listed for indoor and outdoor applications when properly enclosed
- CSA Certified (File #LR-1863)
- NOM Certified (#057)



Cat No. 26725-2A1



Cat No. 26725-4A5



Recommended Panel Opening for
Cat No. 26725-2A1 and Cat No. 26725-4A5