



### Applications:

- General, decorative and architectural lighting in offices, schools, hotels, libraries and high-end residential environments
- Pendant lighting in offices, schools and libraries
- Retail cove, soffit, showcase and display lighting

### Definition:

This versatile new lampholder makes it a snap to incorporate miniature bi-pin T-5 lamps into your latest fixture designs. Slender T-5 lamps with a 5/8" (16mm) diameter provide a unique opportunity to create smaller, more cost-effective fixtures. This lampholder provides a user-friendly combination of benefits, including snap-in or slide-on mounting options, and a 4-position, positive-stop lamp-lock socket that makes it simple for end-users to relamp in service. The thermoplastic lampholder comes in tall- or low-profile versions with an optional panel locator pin. Available shunted (Cat. No. 23654) and non-shunted (Cat. No. 13654). The lampholder is an exciting new addition to the lampholder line of high-quality, innovative fluorescent lighting products.

## Miniature Bi-Pin Fluorescent Lamp-holder Features Snap-In/Slide-On Design and Lamp-Lock Socket

Designed for Energy-Efficient, High-Performance T-5 Lamps

### Features and Benefits:

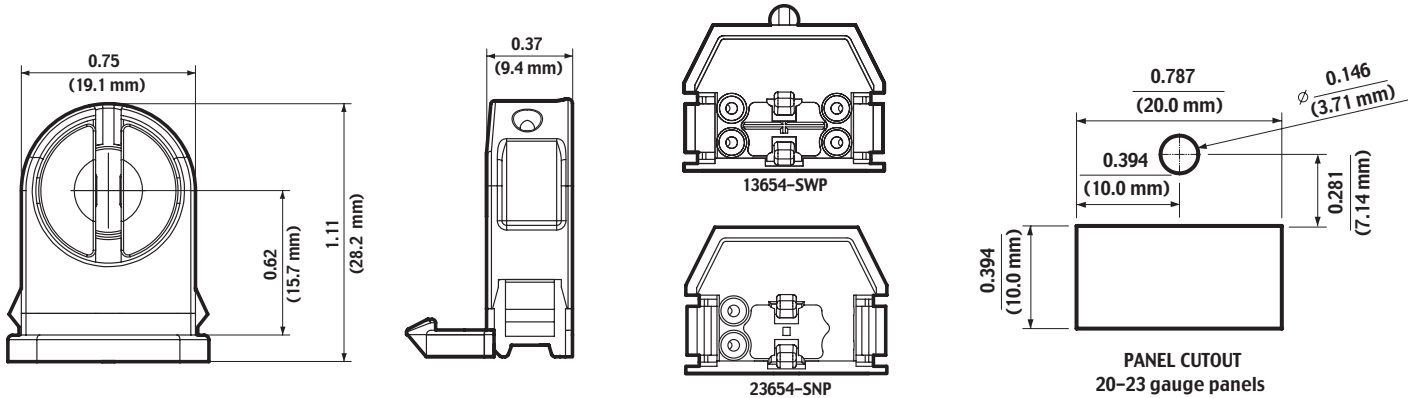
- Versatile snap-in or slide-on mounting reduces fixture assembly time
- Available with tall- or low-profile silhouette, both fit 20 to 23 gauge panels
- Four-position lamp-lock socket rotates 90°, forward and back, for quick relamping
- Anti-vibration lamp-lock design ensures secure lamp fit
- Bottom push-in wiring
- Cat. No. 23654 provides internal shunt connection for use with electronic ballasts. Back of lampholder is stamped „S“ for shunted
- Optional panel locator pin
- Chemical-resistant white thermoplastic body
- Test ports

To learn more about B-I-A please visit us at our  
WEB site: [www.BiaGmbH.com](http://www.BiaGmbH.com)

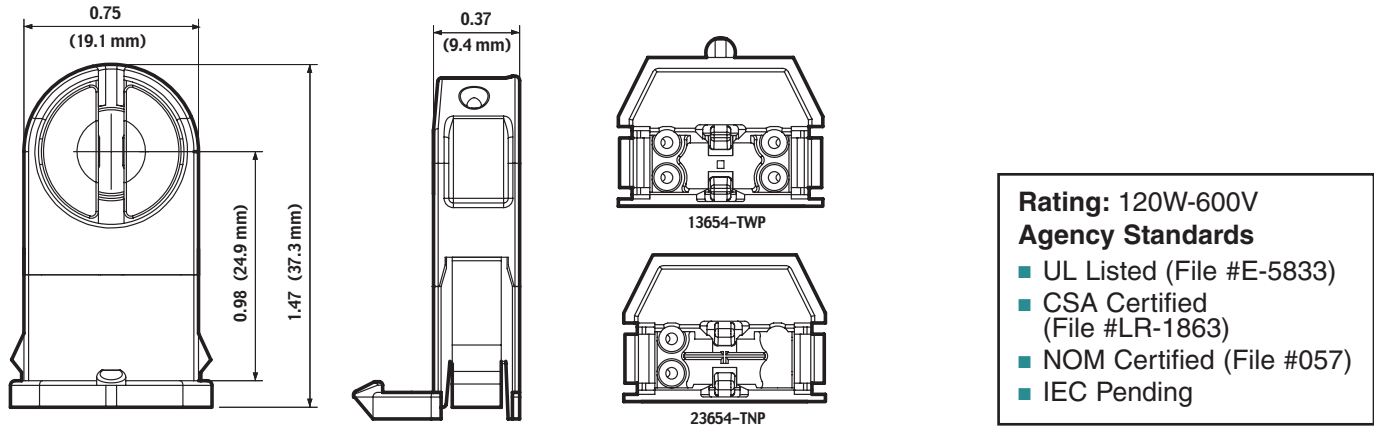


## Dimensional Drawings

### Cat. Nos. 13654-SWP, 23654-SWP



### Cat. Nos. 13654-TWP, 23654-TWP



## Ordering Information

Cat. No.	Description
13654-SWP	Low Profile Miniature Bi-Pin Snap-In or Slide-On Fluorescent Lampholder for T-5 lamps, with lamp-lock and locator pin.
13654-SNP	Same as above, except without locator pin.
13654-TWP	Tall Profile Miniature Bi-Pin Snap-In or Slide-On Fluorescent Lampholder for T-5 lamps, with lamp-lock and locator pin.
13654-TNP	Same as above, except without locator pin.
23654-SWP	Low Profile Miniature Bi-Pin Snap-In or Slide-On Fluorescent Lampholder for T-5 lamps, with lamp-lock and locator pin. Internal shunt connection for use with electronic ballasts. Back of lampholder is stamped "S" to identify shunt and help prevent improper applications.
23654-SNP	Same as above, except without locator pin.
23654-TWP	Tall Profile Miniature Bi-Pin Snap-In or Slide-On Fluorescent Lampholder for T-5 lamps, with lamp-lock and locator pin. Internal shunt connection for use with electronic ballasts. Back of lampholder is stamped "S" to identify shunt and help prevent improper applications.
23654-TNP	Same as above, except without locator pin.