



KLLU series UL Listed, time-delay, Class L fuses are **quality** fuses in every sense of the word. They were developed to provide a somewhat lower priced alternate to the POWR-PRO® KLPC series fuses. KLLU series fuses meet or exceed all UL requirements for Class L fuses. For superior protection and performance, specification-grade POWR-PRO® KLPC series fuses are the recommended fuse. Complete information on KLPC fuses may be found in the POWR-PRO® section of this catalog.

APPLICATIONS

Service switches
 Switchboard mains and feeders
 Bolted pressure contact switches
 Motor control center mains
 Large motor branch circuits

UL Listed series-rated protection for molded case circuit breaker panelboards and loadcenters. See panelboard manufacturers' literature for recommended fuse rating.

SAFETY

- 200,000 A.I.R. — Provides reliable interruption of all overcurrents up to 200,000 amperes.
- When used for motor branch circuit protection, KLLU fuses may be sized close to the motor full-load current, providing excellent protection to branch circuit conductors, motor control equipment and motors.

SPECIFICATIONS

Voltage ratings: AC: 600 Volts

DC: Contact factory

Interrupting ratings: 200,000 amperes rms symmetrical

Ampere range: 601 – 4000 amperes

Approvals: UL Listed Class L fuses per UL 248
 (formerly UL 198C)
 (File No. E81895)

CSA certified HRC-L (File No. LR29862)

AMPERE RATINGS

601	750	1000	1400	1800	3000
650	800	1200	1500	2000	3500
700	900	1350	1600	2500	4000

Example part number (series & amperage): KLLU 1000

LONGER EQUIPMENT LIFE

- Current Limiting — Reduces short circuit damage to systems and equipment.
- Reduced downtime.
- Ten second minimum time delay at 500 percent of rating eliminates needless downtime caused by heavy starting currents of large motors and other inductive loads.
- Selective coordination — KLLU fuses coordinate well with other Class L fuses and with all current-limiting Littelfuse fuses rated 600 amps or less. This means less time spent trying to locate short circuits or overloaded equipment, because only the fuse immediately on the line side of the affected circuit opens.

EASY TO USE

- 200,000 A.I.R. rating minimizes need for short circuit calculations . . . meets present and future system requirements.
- KLLU fuse time-current characteristics closely match typical time-current curves of circuit breakers. Although fuse/circuit breaker systems can seldom be 100% coordinated, KLLU series fuses permit use of a wider range of breaker setting than fast-acting Class L fuses. Excellent protection for a single breaker or a group of breakers.

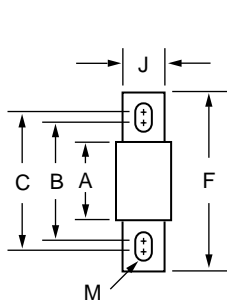


FIG. 1

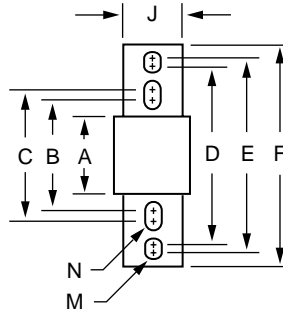


FIG. 2

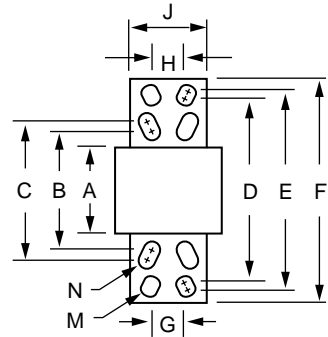


FIG. 3

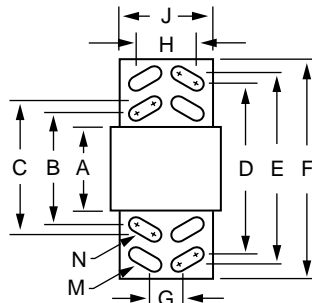
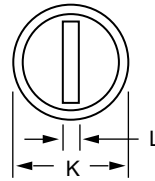


FIG. 4



AMPERES	FIG. NO.	DIMENSIONS IN INCHES (mm in parentheses)												
		A	B	C	D	E	F	G	H	J	K	L	M	N
601 – 800	1	3-3/4 (95.3)	5-3/4 (146.1)	6-3/4 (171.5)	—	—	8-5/8 (219.1)	—	—	2 (50.8)	2-1/2 (63.5)	3/8 (9.5)	5/8 x 1-1/8 (15.9) x (28.6)	—
801 – 1200	2	3-3/4 (95.3)	5-3/4 (146.1)	6-3/4 (171.5)	9-1/4 (235.0)	9-1/2 (241.3)	10-3/4 (273.1)	—	—	2 (50.8)	2-1/2 (63.5)	3/8 (9.5)	5/8 x 3/4 (15.9) X (19.1)	5/8 x 1- 1/8 (15.9) X (28.6)
1201 – 1600	2	3-3/4 (95.3)	5-3/4 (146.1)	6-3/4 (171.5)	9-1/4 (235.0)	9-1/2 (241.3)	10-3/4 (273.1)	—	—	2-3/8 (60.3)	3 (76.2)	7/16 (11.1)	5/8 X 3/4 (15.9) X (19.1)	5/8 X 1- 1/8 (15.9) X (28.6)
1601 – 2000	2	3-3/4 (95.3)	5-3/4 (146.1)	6-3/4 (171.5)	9-1/4 (235.0)	9-1/2 (241.3)	10-3/4 (273.1)	—	—	2-3/4 (69.9)	3-1/2 (88.9)	1/2 (12.7)	5/8 x 3/4 (15.9) x (19.1)	5/8 x 1- 1/8 (15.9) x (28.6)
2001 – 2500	3	4 (101.6)	5-3/4 (146.1)	6-3/4 (171.5)	9-1/4 (235.0)	9-1/2 (241.3)	10- 3/4 (273.1)	1-5/8 (41.3)	1-3/4 (44.5)	3-1/2 (88.9)	5 (127.0)	3/4 (19.1)	5/8 X 3/4 (15.9) x (19.1)	5/8 X 1- 1/8 (15.9) x (28.6)
2501 – 3000	3	4 (101.6)	5-3/4 (146.1)	6-3/4 (171.5)	9-1/4 (235.0)	9-1/2 (241.3)	10- 3/4 (273.1)	1-5/8 (41.3)	1-3/4 (44.5)	4 (101.6)	5 (127.0)	3/4 (19.1)	5/8 x 3/4 (15.9) x (19.1)	5/8 x 1- 1/8 (15.9) x (28.6)
3001 – 4000	4	4 (101.6)	5-3/4 (146.1)	6-3/4 (171.5)	9-1/4 (235.0)	9-1/2 (241.3)	10- 3/4 (273.1)	1-3/4 (44.5)	3-1/4 (82.6)	4-3/4 (120.7)	5-3/4 (146.1)	3/4 (19.1)	5/8 x 1-3/8 (15.9) x (34.9)	5/8 x 1-3/8 (15.9) x (34.9)

