

FLNR/FLSR Class RK5 Fuses

250/600 VAC • Dual-Element, Time-Delay • 1/10 – 600 Amperes



Littelfuse FLNR/FLSR series fuses have been the superior UL Class RK5 dual-element time-delay fuses, and are the most widely used class of fuses. FLNR/FLSR series fuses provide excellent protection for all types of circuits especially those containing motors. However, users and specifiers should consider the significant benefits offered by Indicator fuses. Complete information on these fuses may be found earlier in this section.

Applications

- Service entrance switches
- Switchboard main and feeder switches
- Motor control center mains and motor branch circuits
- Individual fused combination motor controllers
- Distribution panelboards
- Industrial control panels
- Protection of fully rated panelboards and loadcenters
- All general purpose circuits

Safety

- 200,000 A.I.R. — Reliable interruption of all overcurrents up to 200,000 amperes.
- Faster acting short-circuit protection than any non-current-limiting mechanical protective device.

Reliability

- Accurate and reliable — Automated, precision manufactured and assembled parts ensure accurate, consistent response to overloads and short-circuits.

Longer Equipment Life

- Reduced damage to equipment caused by heating and magnetic forces of short-circuits.
- Equipment runs cooler with low-resistance dual-element fuses.

Specifications

Voltage Ratings:	AC: 250 Volts (FLNR)
	600 Volts (FLSR)
DC:	125 Volts (FLNR)
	300 Volts (FLSR)
Interrupting Ratings:	AC: 200,000 amperes rms symmetrical
	DC: 20,000 amperes
Ampere Range:	1/10 – 600 amperes
Approvals:	Standard 248-12, Class RK5
	UL Listed (File No: E81895)
	CSA Certified (File No: LR29862)
	MSHA 300 Volt Listing (FLSR)
	QPL: Federal Specification WF-1814

Ampere Ratings

1/10	6/10	1 8/10	4	8	30	80	225
1/6	8/10	2	4 1/2	9	35	90	250
1 5/100	1	2 1/4	5	10	40	100	300
2/10	1 1/8	2 1/2	5 5/10	12	45	110	350
1/4	1 1/4	2 8/10	6	15	50	125	400
3/10**	1 4/10	3	6 1/4	17 1/2	60	150	450
4/10	1 1/2	3 2/10	7	20	70	175	500
1/2	1 9/10	3 1/2	7 1/2	25	75	200	600

**FLNR only,

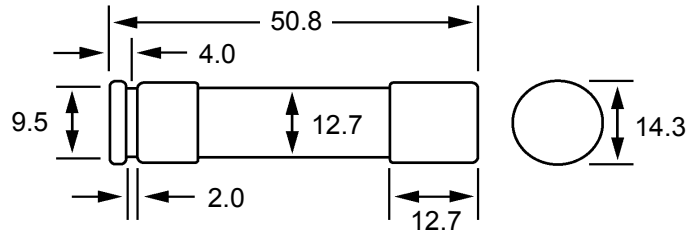
Example part number (series & amperage): FLSR100

Fuses, Time-Delay, 250Vac, Class RK5, 0.1 Amp – 30 Amp

Ampere Ratings

0.1	0.125	0.15	0.2	0.25
0.3	0.4	0.5	0.6	0.8
1	1.125	1.25	1.4	1.5
1.6	1.8	2	2.25	2.5
2.8	3	3.2	3.5	4
4.5	5	5.6	6	6.25
7	7.5	8	9	10
12	15	17.5	20	25
30				

Dimensions = mm



Example part number

(series & amperage): **FLNR20**

General Specifications FLNR/FLSR

Voltage Ratings:	AC: 250 Volts (FLNR) 600 Volts (FLSR)
	DC: 125 Volts (FLNR) 300 Volts (FLSR)
Interrupting Ratings:	AC: 200,000 amperes rms symmetrical
	DC: 20,000 amperes
Ampere Range:	0.1 – 600 amperes
Approvals:	Standard 248-12, Class RK5
	UL Listed (File No: E81895)
	CSA Certified (File No: LR29862)
	MSHA 300 Volt Listing (FLSR)
	QPL: Federal Specification WF-1814

Recommended Fuse Blocks FLNR

0.1A – 30A	R30A series (Class R) F30A series (Class H+K) RF30A series (Reinforced)
35A – 60A	R60A series (Class R) F60A series (Class H+K) RF60A series (Reinforced)
70A – 100A	R100A series (Class R) RF100A series (Class H+K)
110A – 200A	R200A series (Class R) F200A series (Class H+K)
225A – 400A	R400A series (Class R) RF400A series (Class H+K)
450A – 600A	R600A series (Class R) F600A series (Class H+K)

Refer to Fuse Blocks and Fuse Holders section of this catalog for additional information.

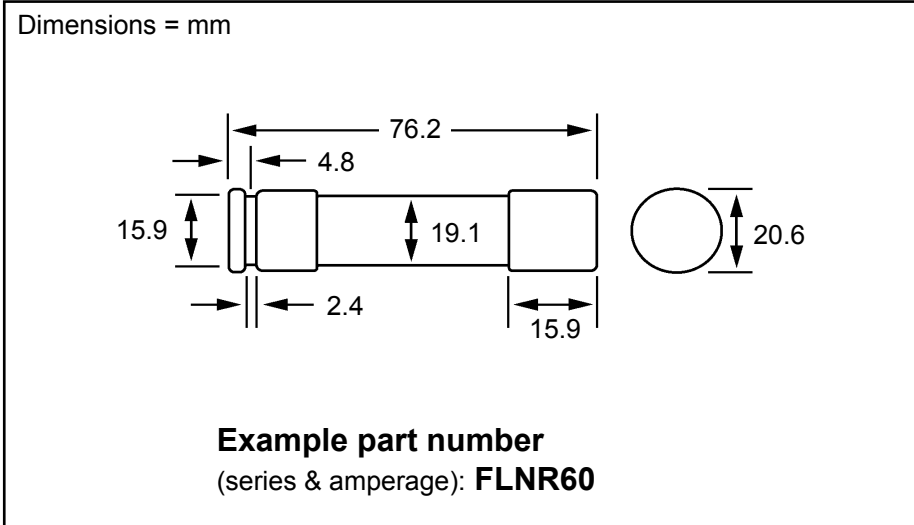
To learn more about B-I-A please visit us at our
WEB site: www.BiaGmbH.com



Fuses, Time-Delay, 250Vac, Class RK5, 35 Amp – 60 Amp

Ampere Ratings

35	40	45	50	60
----	----	----	----	----



General Specifications FLNR/FLSR

Voltage Ratings:	AC: 250 Volts (FLNR) 600 Volts (FLSR)
	DC: 125 Volts (FLNR) 300 Volts (FLSR)
Interrupting Ratings:	AC: 200,000 amperes rms symmetrical
	DC: 20,000 amperes
Ampere Range:	0.1 – 600 amperes
Approvals:	Standard 248-12, Class RK5
	UL Listed (File No: E81895)
	CSA Certified (File No: LR29862)
	MSHA 300 Volt Listing (FLSR)
	QPL: Federal Specification WF-1814

Recommended Fuse Blocks FLNR

0.1A – 30A	R30A series (Class R) F30A series (Class H+K) RF30A series (Reinforced)
35A – 60A	R60A series (Class R) F60A series (Class H+K) RF60A series (Reinforced)
70A – 100A	R100A series (Class R) RF100A series (Class H+K)
110A – 200A	R200A series (Class R) F200A series (Class H+K)
225A – 400A	R400A series (Class R) RF400A series (Class H+K)
450A – 600A	R600A series (Class R) F600A series (Class H+K)

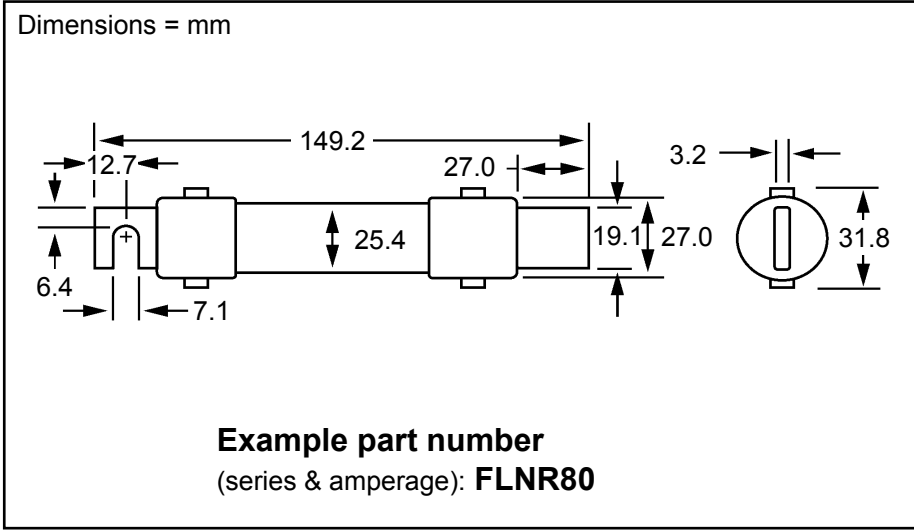
Refer to Fuse Blocks and Fuse Holders section of this catalog for additional information.

To learn more about B-I-A please visit us at our
WEB site: www.BiaGmbH.com

Fuses, Time-Delay, 250Vac, Class RK5, 70 Amp – 100 Amp

Ampere Ratings

70	80	90	100
----	----	----	-----



General Specifications FLNR/FLSR

Voltage Ratings:	AC: 250 Volts (FLNR) 600 Volts (FLSR)
	DC: 125 Volts (FLNR) 300 Volts (FLSR)
Interrupting Ratings:	AC: 200,000 amperes rms symmetrical
	DC: 20,000 amperes
Ampere Range:	0.1 – 600 amperes
Approvals:	Standard 248-12, Class RK5
	UL Listed (File No: E81895)
	CSA Certified (File No: LR29862)
	MSHA 300 Volt Listing (FLSR)
	QPL: Federal Specification WF-1814

Recommended Fuse Blocks FLNR

0.1A – 30A	R30A series (Class R) F30A series (Class H+K) RF30A series (Reinforced)
35A – 60A	R60A series (Class R) F60A series (Class H+K) RF60A series (Reinforced)
70A – 100A	R100A series (Class R) RF100A series (Class H+K)
110A – 200A	R200A series (Class R) F200A series (Class H+K)
225A – 400A	R400A series (Class R) RF400A series (Class H+K)
450A – 600A	R600A series (Class R) F600A series (Class H+K)

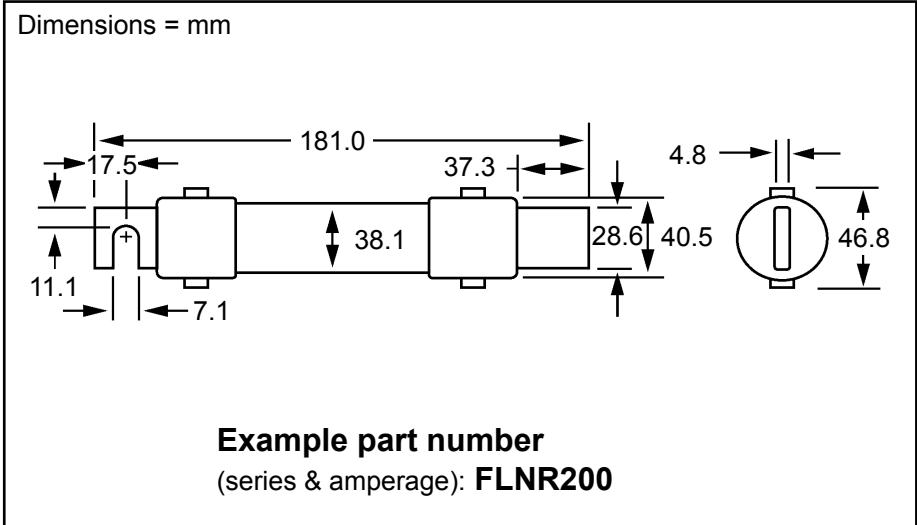
Refer to Fuse Blocks and Fuse Holders section of this catalog for additional information.

To learn more about B-I-A please visit us at our
WEB site: www.BiaGmbH.com

Fuses, Time-Delay, 250Vac, Class RK5, 110 Amp – 200 Amp

Ampere Ratings

110	125	150	175	200
-----	-----	-----	-----	-----



General Specifications FLNR/FLSR

Voltage Ratings:	AC: 250 Volts (FLNR) 600 Volts (FLSR)
	DC: 125 Volts (FLNR) 300 Volts (FLSR)
Interrupting Ratings:	AC: 200,000 amperes rms symmetrical
	DC: 20,000 amperes
Ampere Range:	0.1 – 600 amperes
Approvals:	Standard 248-12, Class RK5
	UL Listed (File No: E81895)
	CSA Certified (File No: LR29862)
	MSHA 300 Volt Listing (FLSR)
	QPL: Federal Specification WF-1814

Recommended Fuse Blocks FLNR

0.1A – 30A	R30A series (Class R) F30A series (Class H+K) RF30A series (Reinforced)
35A – 60A	R60A series (Class R) F60A series (Class H+K) RF60A series (Reinforced)
70A – 100A	R100A series (Class R) RF100A series (Class H+K)
110A – 200A	R200A series (Class R) F200A series (Class H+K)
225A – 400A	R400A series (Class R) RF400A series (Class H+K)
450A – 600A	R600A series (Class R) F600A series (Class H+K)

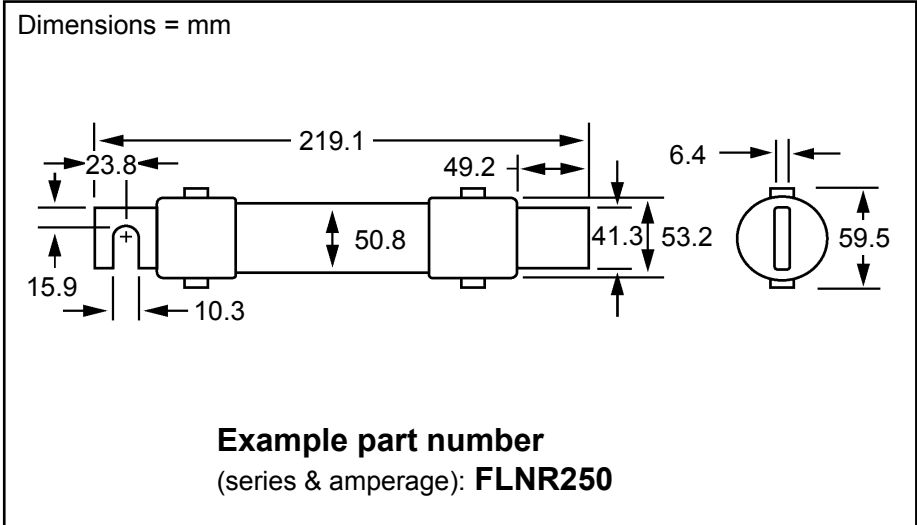
Refer to Fuse Blocks and Fuse Holders section of this catalog for additional information.

To learn more about B-I-A please visit us at our
WEB site: www.BiaGmbH.com

Fuses, Time-Delay, 250Vac, Class RK5, 225 Amp – 400 Amp

Ampere Ratings

225	250	300	350	400
-----	-----	-----	-----	-----



General Specifications FLNR/FLSR

Voltage Ratings:	AC: 250 Volts (FLNR) 600 Volts (FLSR) DC: 125 Volts (FLNR) 300 Volts (FLSR)
Interrupting Ratings:	AC: 200,000 amperes rms symmetrical DC: 20,000 amperes
Ampere Range:	0.1 – 600 amperes
Approvals:	Standard 248-12, Class RK5 UL Listed (File No: E81895) CSA Certified (File No: LR29862) MSHA 300 Volt Listing (FLSR) QPL: Federal Specification WF-1814

Recommended Fuse Blocks FLNR

0.1A – 30A	R30A series (Class R) F30A series (Class H+K) RF30A series (Reinforced)
35A – 60A	R60A series (Class R) F60A series (Class H+K) RF60A series (Reinforced)
70A – 100A	R100A series (Class R) RF100A series (Class H+K)
110A – 200A	R200A series (Class R) F200A series (Class H+K)
225A – 400A	R400A series (Class R) RF400A series (Class H+K)
450A – 600A	R600A series (Class R) F600A series (Class H+K)

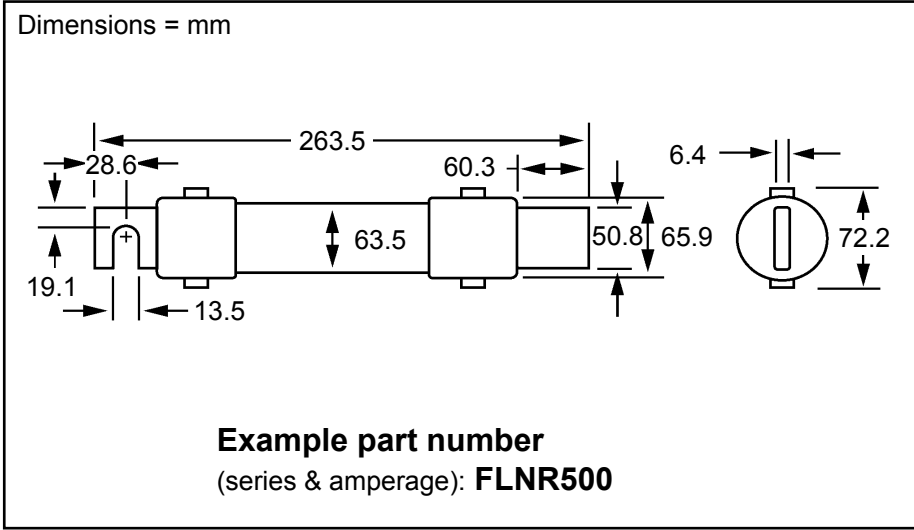
Refer to Fuse Blocks and Fuse Holders section of this catalog for additional information.

To learn more about B-I-A please visit us at our WEB site: www.BiaGmbH.com

Fuses, Time-Delay, 250Vac, Class RK5, 450 Amp – 600 Amp

Ampere Ratings

450	500	600
-----	-----	-----



General Specifications FLNR/FLSR

Voltage Ratings:	AC: 250 Volts (FLNR) 600 Volts (FLSR) DC: 125 Volts (FLNR) 300 Volts (FLSR)
Interrupting Ratings:	AC: 200,000 amperes rms symmetrical DC: 20,000 amperes
Ampere Range:	0.1 – 600 amperes
Approvals:	Standard 248-12, Class RK5 UL Listed (File No: E81895) CSA Certified (File No: LR29862) MSHA 300 Volt Listing (FLSR) QPL: Federal Specification WF-1814

Recommended Fuse Blocks FLNR

0.1A – 30A	R30A series (Class R) F30A series (Class H+K) RF30A series (Reinforced)
35A – 60A	R60A series (Class R) F60A series (Class H+K) RF60A series (Reinforced)
70A – 100A	R100A series (Class R) RF100A series (Class H+K)
110A – 200A	R200A series (Class R) F200A series (Class H+K)
225A – 400A	R400A series (Class R) RF400A series (Class H+K)
450A – 600A	R600A series (Class R) F600A series (Class H+K)

Refer to Fuse Blocks and Fuse Holders section of this catalog for additional information.

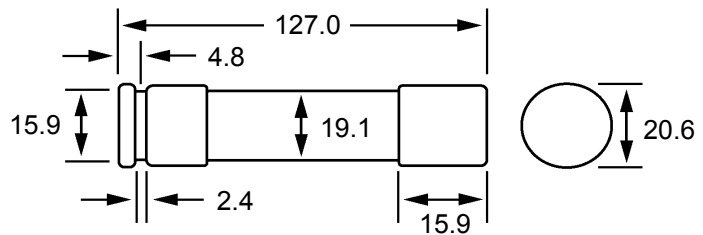
To learn more about B-I-A please visit us at our WEB site: www.BiaGmbH.com

Fuses, Time-Delay, 600Vac, Class RK5, 0.1 Amp – 30 Amp

Ampere Ratings

0.1	0.15	0.2	0.25	0.3
0.4	0.5	0.6	0.8	1
1.125	1.25	1.4	1.5	1.6
1.8	2	2.25	2.5	2.8
3	3.2	3.5	4	4.5
5	5.6	6	6.25	7
7.5	8	9	10	12
15	17.5	20	25	30

Dimensions = mm



Example part number
(series & amperage): **FLSR10**

General Specifications FLNR/FLSR

Voltage Ratings:	AC: 250 Volts (FLNR) 600 Volts (FLSR)
	DC: 125 Volts (FLNR) 300 Volts (FLSR)
Interrupting Ratings:	AC: 200,000 amperes rms symmetrical
	DC: 20,000 amperes
Ampere Range:	0.1 – 600 amperes
Approvals:	Standard 248-12, Class RK5
	UL Listed (File No: E81895)
	CSA Certified (File No: LR29862)
	MSHA 300 Volt Listing (FLSR)
	QPL: Federal Specification WF-1814

Recommended Fuse Blocks FLSR

0.1A – 30A	6R30A series (Class R) 6F30A series (Class H+K) R6F30A series (Reinforced)
35A – 60A	6R60A series (Class R) 6F60A series (Class H+K) R6F60A series (Reinforced)
70A – 100A	6R100A series (Class R) R6F100A series (Class H+K)
110A – 200A	6R200A series (Class R) 6F200A series (Class H+K)
225A – 400A	6R400A series (Class R) R6F400A series (Class H+K)
450A – 600A	6R600A series (Class R) 6F600A series (Class H+K)

Refer to Fuse Blocks and Fuse Holders section of this catalog for additional information.

To learn more about B-I-A please visit us at our
WEB site: www.BiaGmbH.com

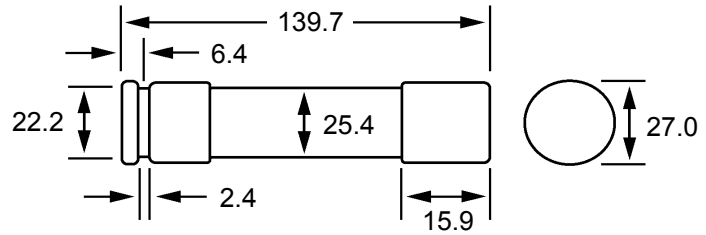


Fuses, Time-Delay, 600Vac, Class RK5, 35 Amp – 60 Amp

Ampere Ratings

35 40 45 50 60

Dimensions = mm



Example part number

(series & amperage): **FLSR40**

General Specifications FLNR/FLSR

Voltage Ratings: AC: 250 Volts (FLNR)
600 Volts (FLSR)
DC: 125 Volts (FLNR)
300 Volts (FLSR)

Interrupting Ratings: AC: 200,000 amperes
rms symmetrical
DC: 20,000 amperes

Ampere Range: 0.1 – 600 amperes

Approvals: Standard 248-12,
Class RK5
UL Listed
(File No: E81895)
CSA Certified
(File No: LR29862)
MSHA 300 Volt Listing
(FLSR)
QPL: Federal
Specification WF-1814

Recommended Fuse Blocks FLSR

0.1A – 30A	6R30A series (Class R) 6F30A series (Class H+K) R6F30A series (Reinforced)
35A – 60A	6R60A series (Class R) 6F60A series (Class H+K) R6F60A series (Reinforced)
70A – 100A	6R100A series (Class R) R6F100A series (Class H+K)
110A – 200A	6R200A series (Class R) 6F200A series (Class H+K)
225A – 400A	6R400A series (Class R) R6F400A series (Class H+K)
450A – 600A	6R600A series (Class R) 6F600A series (Class H+K)

Refer to Fuse Blocks and Fuse Holders section of this catalog for additional information.

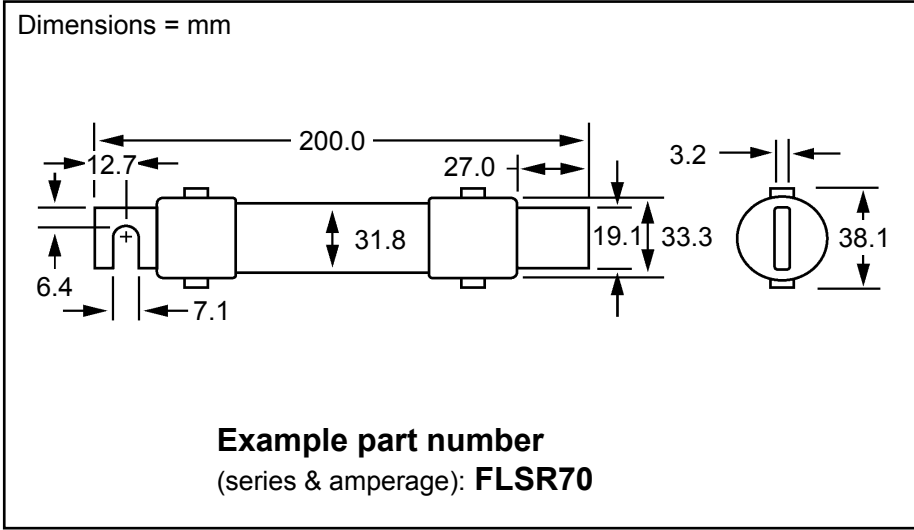
To learn more about B-I-A please visit us at our
WEB site: www.BiaGmbH.com



Fuses, Time-Delay, 600Vac, Class RK5, 70 Amp – 100 Amp

Ampere Ratings

70	75	80	90	100
----	----	----	----	-----



General Specifications FLNR/FLSR

Voltage Ratings:	AC: 250 Volts (FLNR) 600 Volts (FLSR)
	DC: 125 Volts (FLNR) 300 Volts (FLSR)
Interrupting Ratings:	AC: 200,000 amperes rms symmetrical
	DC: 20,000 amperes
Ampere Range:	0.1 – 600 amperes
Approvals:	Standard 248-12, Class RK5
	UL Listed (File No: E81895)
	CSA Certified (File No: LR29862)
	MSHA 300 Volt Listing (FLSR)
	QPL: Federal Specification WF-1814

Recommended Fuse Blocks FLSR

0.1A – 30A	6R30A series (Class R) 6F30A series (Class H+K) R6F30A series (Reinforced)
35A – 60A	6R60A series (Class R) 6F60A series (Class H+K) R6F60A series (Reinforced)
70A – 100A	6R100A series (Class R) R6F100A series (Class H+K)
110A – 200A	6R200A series (Class R) 6F200A series (Class H+K)
225A – 400A	6R400A series (Class R) R6F400A series (Class H+K)
450A – 600A	6R600A series (Class R) 6F600A series (Class H+K)

Refer to Fuse Blocks and Fuse Holders section of this catalog for additional information.

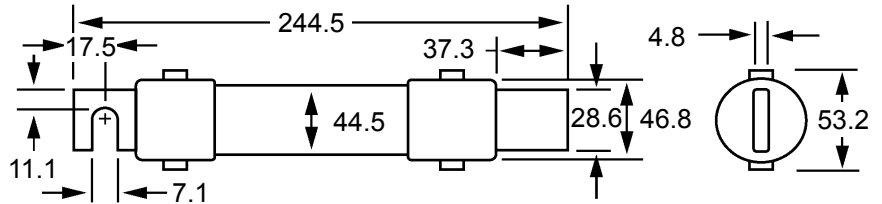
To learn more about B-I-A please visit us at our
WEB site: www.BiaGmbH.com

Fuses, Time-Delay, 600Vac, Class RK5, 110 Amp – 200 Amp

Ampere Ratings

110 125 150 175 200

Dimensions = mm



Example part number

(series & amperage): **FLSR125**

General Specifications FLNR/FLSR

Voltage Ratings: AC: 250 Volts (FLNR)
600 Volts (FLSR)
DC: 125 Volts (FLNR)
300 Volts (FLSR)

Interrupting Ratings: AC: 200,000 amperes
rms symmetrical
DC: 20,000 amperes

Ampere Range: 0.1 – 600 amperes

Approvals: Standard 248-12,
Class RK5
UL Listed
(File No: E81895)
CSA Certified
(File No: LR29862)
MSHA 300 Volt Listing
(FLSR)
QPL: Federal
Specification WF-1814

Recommended Fuse Blocks FLSR

0.1A – 30A 6R30A series (Class R)
6F30A series (Class H+K)
R6F30A series (Reinforced)

35A – 60A 6R60A series (Class R)
6F60A series (Class H+K)
R6F60A series (Reinforced)

70A – 100A 6R100A series (Class R)
R6F100A series (Class H+K)

110A – 200A 6R200A series (Class R)
6F200A series (Class H+K)

225A – 400A 6R400A series (Class R)
R6F400A series (Class H+K)

450A – 600A 6R600A series (Class R)
6F600A series (Class H+K)

Refer to Fuse Blocks and Fuse Holders section of this catalog for additional information.

To learn more about B-I-A please visit us at our
WEB site: www.BiaGmbH.com

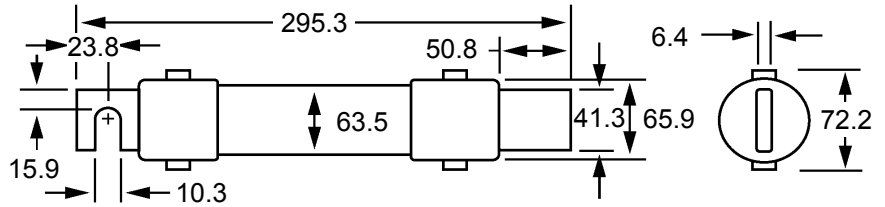


Fuses, Time-Delay, 600Vac, Class RK5, 225 Amp – 400 Amp

Ampere Ratings

225 250 300 350 400

Dimensions = mm



Example part number

(series & amperage): **FLSR400**

General Specifications FLNR/FLSR

Voltage Ratings: AC: 250 Volts (FLNR)
600 Volts (FLSR)
DC: 125 Volts (FLNR)
300 Volts (FLSR)

Interrupting Ratings: AC: 200,000 amperes
rms symmetrical
DC: 20,000 amperes

Ampere Range: 0.1 – 600 amperes

Approvals: Standard 248-12,
Class RK5
UL Listed
(File No: E81895)
CSA Certified
(File No: LR29862)
MSHA 300 Volt Listing
(FLSR)
QPL: Federal
Specification WF-1814

Recommended Fuse Blocks FLSR

0.1A – 30A 6R30A series (Class R)
6F30A series (Class H+K)
R6F30A series (Reinforced)

35A – 60A 6R60A series (Class R)
6F60A series (Class H+K)
R6F60A series (Reinforced)

70A – 100A 6R100A series (Class R)
R6F100A series (Class H+K)

110A – 200A 6R200A series (Class R)
6F200A series (Class H+K)

225A – 400A 6R400A series (Class R)
R6F400A series (Class H+K)

450A – 600A 6R600A series (Class R)
6F600A series (Class H+K)

Refer to Fuse Blocks and Fuse Holders section of this catalog for additional information.

To learn more about B-I-A please visit us at our
WEB site: www.BiaGmbH.com

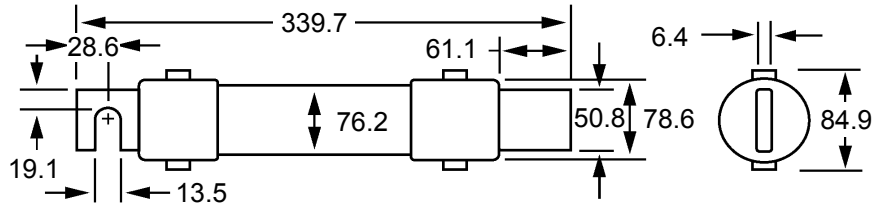


Fuses, Time-Delay, 600Vac, Class RK5, 450 Amp – 600 Amp

Ampere Ratings

450 500 600

Dimensions = mm



Example part number

(series & amperage): **FLSR600**

General Specifications FLNR/FLSR

Voltage Ratings:	AC: 250 Volts (FLNR) 600 Volts (FLSR)
	DC: 125 Volts (FLNR) 300 Volts (FLSR)
Interrupting Ratings:	AC: 200,000 amperes rms symmetrical
	DC: 20,000 amperes
Ampere Range:	0.1 – 600 amperes
Approvals:	Standard 248-12, Class RK5
	UL Listed (File No: E81895)
	CSA Certified (File No: LR29862)
	MSHA 300 Volt Listing (FLSR)
	QPL: Federal Specification WF-1814

Recommended Fuse Blocks FLSR

0.1A – 30A	6R30A series (Class R) 6F30A series (Class H+K) R6F30A series (Reinforced)
35A – 60A	6R60A series (Class R) 6F60A series (Class H+K) R6F60A series (Reinforced)
70A – 100A	6R100A series (Class R) R6F100A series (Class H+K)
110A – 200A	6R200A series (Class R) 6F200A series (Class H+K)
225A – 400A	6R400A series (Class R) R6F400A series (Class H+K)
450A – 600A	6R600A series (Class R) 6F600A series (Class H+K)

Refer to Fuse Blocks and Fuse Holders section of this catalog for additional information.

To learn more about B-I-A please visit us at our
WEB site: www.BiaGmbH.com

