

Europe/USA/Canada - Rewirable Angle Plug Connector, C20

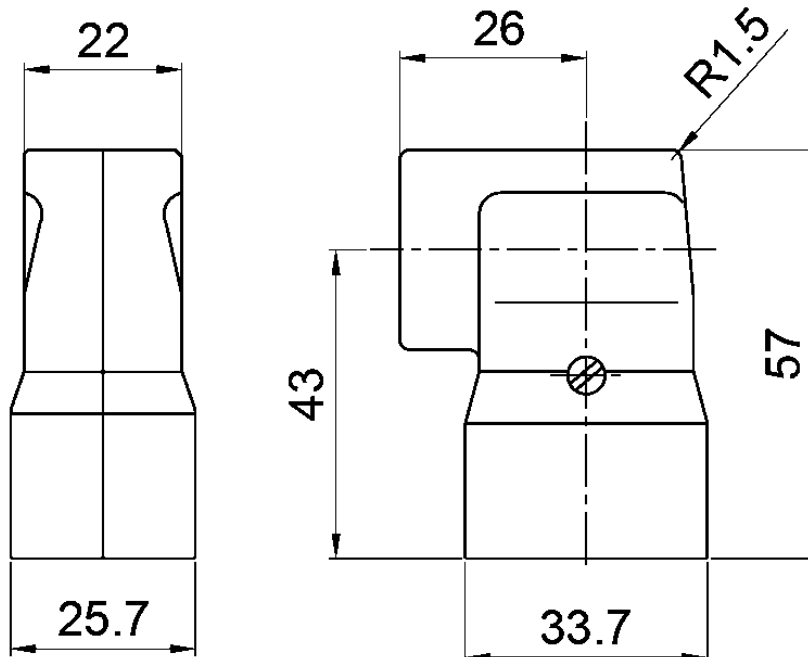
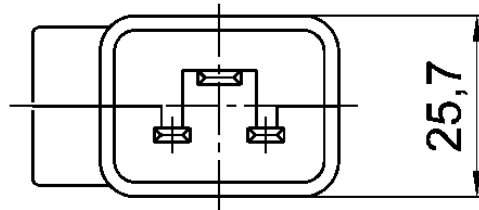
SPECIFICATIONS

- **Electrical Ratings:**
Europe 16A/250Vac
USA/Canada 21A/250Vac
- **Equipment Class I:**
IEC 60320-2-2 / EN 60320-2-2 / VDE 0625-2-2
- **Socket: Polyamide PA6 – UL94V-0**
- **Terminals: Copper Alloy, Nickel-Plated**
- **Temperature Rating: 70°C**



Catalog No.	Color	Description	Weight/ea	VPE/Pack	EDP-No.
1611X	Black	Rewirable Angle Plug Connector <i>Standard Color: Black (RAL 9005), Gray (RAL 7001) and White (RAL 9010) available on special order only.</i>	48 g	250	123465

European approval markings only valid with PVC strain relief attached. Please order PVC strain relief separately.



Dimensions = mm

Europe/USA/Canada - Rewirable Angle Cord Connector, C19

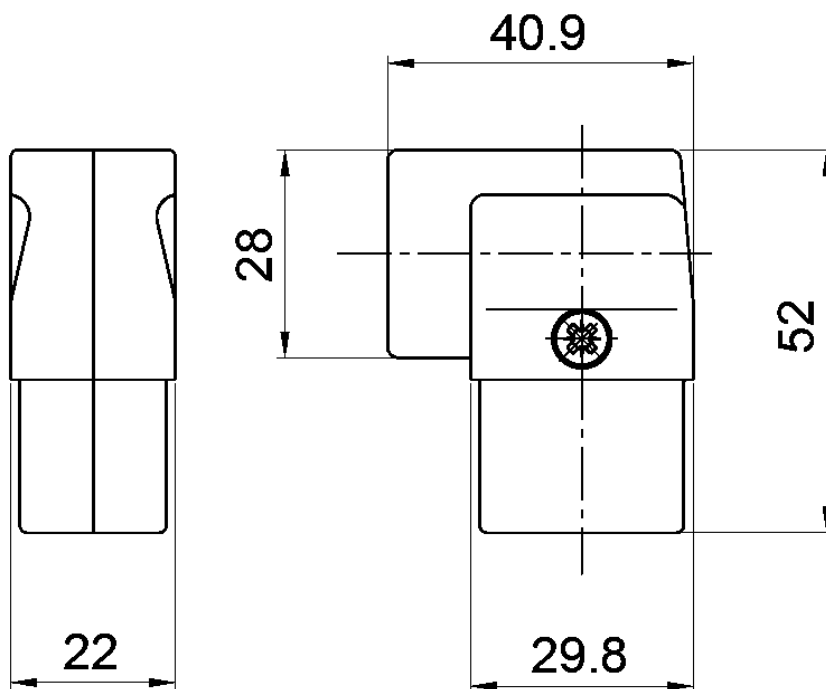
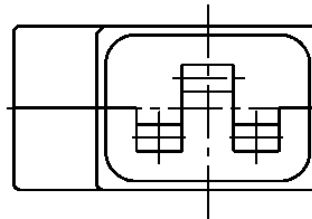
SPECIFICATIONS

- **Electrical Ratings:**
Europe 16A/250Vac
USA/Canada 21A/250Vac
- **Equipment Class I:**
IEC 60320-1 / EN 60320-1 / VDE 0625-1
- **Socket: Polyamide PA6 – UL94V-0**
- **Terminals: Copper Alloy, Tin-Plated**
- **Temperature Rating: 70°C**



Catalog No.	Color	Description	Weight/ea	VPE/Pack	EDP-No.
1651X	Black	Rewirable Angle Cord Connector <i>Standard Color: Black (RAL 9005), Gray (RAL 7001) and White (RAL 9010) available on special order only.</i>	45 g	250	119567

European approval markings only valid with PVC strain relief attached. Please order PVC strain relief separately.



Dimensions = mm

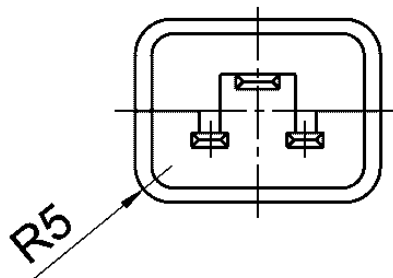
Europe/USA/Canada - Rewirable Straight Plug Connector, C20

SPECIFICATIONS

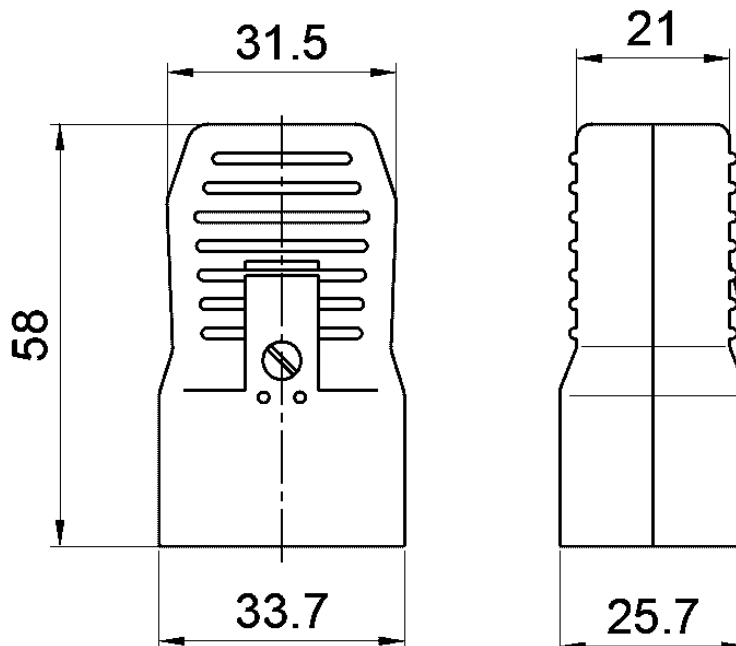
- **Electrical Ratings:**
Europe 16A/250Vac
USA/Canada 21A/250Vac
- **Equipment Class I:**
IEC 60320-2-2 / EN 60320-2-2 / VDE 0625-2-2
- **Socket: Polyamide PA6 – UL94V-0**
- **Terminals: Copper Alloy, Nickel-Plated**
- **Temperature Rating: 70°C**



Catalog No.	Color	Description	Weight/ea	VPE/Pack	EDP-No.
106X	Gray	Rewirable Straight Plug Connector <i>Standard Color: Gray (RAL 7001), Black (RAL 9005) and White (RAL 9010) available on special order only.</i>	34 g	250	111859



European approval markings only valid with PVC strain relief attached. Please order PVC strain relief separately.



Dimensions = mm

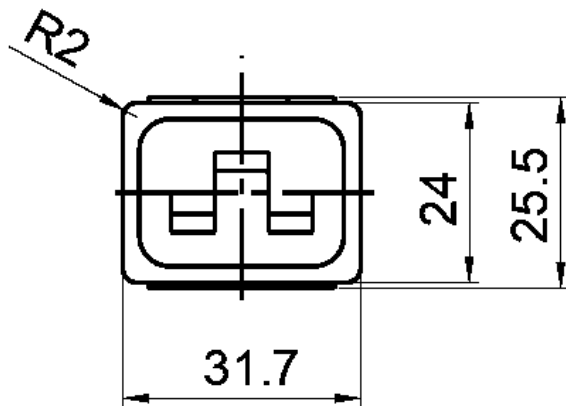
Europe/USA/Canada - Rewirable Straight Cord Connector, C19

SPECIFICATIONS

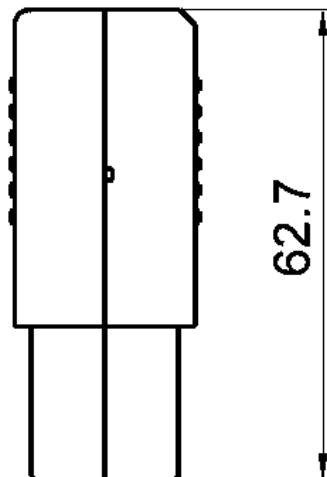
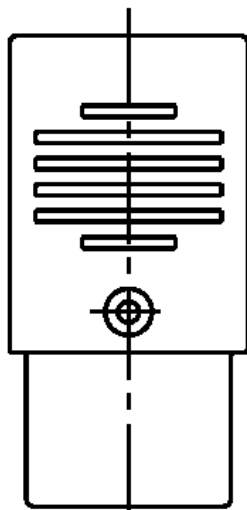
- **Electrical Ratings:**
Europe 16A/250Vac
USA/Canada 21A/250Vac
- **Equipment Class I:**
IEC 60320-1 / EN 60320-1 / VDE 0625-1
- **Socket:** Polyamide PA6 – UL94V-0
- **Terminals:** Copper Alloy, Nickel-Plated
- **Temperature Rating:** 70°C
- **Cordage:** for cordage up to 14 AWG



Catalog No.	Color	Description	Weight/ea	VPE/Pack	EDP-No.
104U	Black	Rewirable Straight Cord Connector <i>Standard Color: Black (RAL 9005), Gray (RAL 7001) and White (RAL 9010) available on special order only.</i>	33 g	250	117555



European approval markings only valid with PVC strain relief attached. Please order PVC strain relief separately.



Dimensions = mm