



## Switches & Dimmers

Undergoing a minimum of 50,000 operations, the 10AX switch design combines performance, reliability and safety.

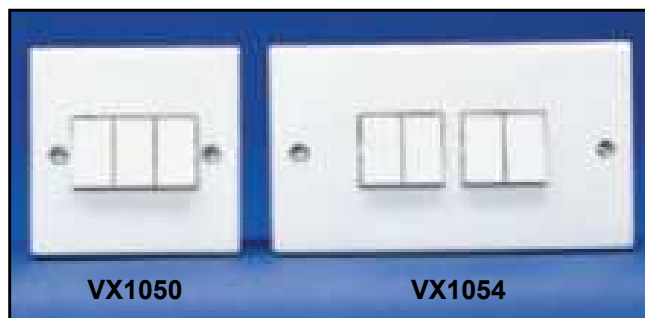
- The silver nickel contact tip ensures a longer life.
- A minimum 3 mm contact gap ensures added safety.
- The arc shield minimises visible arc flash when operating the switch.

We provide a comprehensive range of plate switches to control lighting for domestic and commercial applications. The 1000 series wall switches are rated at 10AX therefore making them ideal for switching incandescent and fluorescent lighting. Also included in the range are a variety of wide rocker switches.



VX1010

VX1040



VX1050

VX1054

### 10AX WALL SWITCHES

LIST NO	DESCRIPTION	CARTON QTY
VX1010	1 gang 1 way switch	10
VX1020	1 gang 2 way switch	10
VX1030	1 gang intermediate switch	10
VX1040	2 gang 2 way switch	10
VX1050	3 gang 2 way switch	10
VX1054	4 gang 2 way switch	5

- BS EN 60669-1
- Terminals suitable for 4x1.0mm<sup>2</sup>, 3x1.5mm<sup>2</sup> or 1x2.5mm<sup>2</sup> conductors
- 3mm contact gap
- Fully rated at 10AX for fluorescent or inductive loads
- Two way switches can be wired as one way

#### Dimensions

- 1-3 gang: 85mmx85mm with 60.3mm fixing centres
- 4 gang: 145mmx85mm with 120.6mm fixing centres

#### Mounting boxes

- Surface moulded: 1-3 gang VX9404; 4 gang VX9412
- Flush metal: 1-3 gang SB623; 4 gang SB665



VX4020

VX4040



VX2060 VX2062



VX1000

## 10AX WIDE ROCKER SWITCHES

LIST NO	DESCRIPTION	CARTON QTY
VX4020	1 gang 1 way switch	10
VX4030	1 gang Intermediate switch	10
VX4040	2 gang 2 way switch	10
VX4000	Retractive switch	10

- BS EN60669-1

### Dimensions

85mmx85mm with 60.3mm fixing centres

### Mounting boxes

Surface moulded: VX9404

Flush metal: SB623

## 6AX ARCHITRAVE SWITCHES

LIST NO	DESCRIPTION	CARTON QTY
VX2060	1 gang 1 way switch	10
VX2061	1 gang 2 way switch	10
VX2062	2 gang 2 way switch	10

- BS EN 60669-1

### Dimensions

1G: 32mmx86mm

2G: 32mmx146mm

### Mounting boxes

Surface moulded: 1 gang VX9401 2 gang VX9402

Flush metal: 1 gang 9257 2 gang 9258

## 10A RETRACTIVE SWITCH

LIST NO	DESCRIPTION	CARTON QTY
VX1000	1 gang bell push with bell symbol	10
VX1000/LP	1 gang printed Light/Push	10
VX1000/P	1 gang printed Push	10

- BS EN 60669-1

- Terminals suitable for 4x1.0mm<sup>2</sup>, 3x1.5mm<sup>2</sup> or 1x2.5mm<sup>2</sup> conductors

- can be wired for normally open (N/O) or normally closed (N/C) circuits

### Dimensions

85mmx85mm with 60.3mm fixing centres

### Mounting boxes

Surface moulded: VX9404

Flush metal: SB623

To learn more about B-I-A please visit us at our  
WEB site: [www.BiaGmbH.com](http://www.BiaGmbH.com)





## 6AX CEILING SWITCH

LIST NO	DESCRIPTION	CARTON QTY
VX9001	1 way ceiling switch	10
VX9002	2 way ceiling switch	10
VX9009	Cord & acorn for ceiling switches	50

- BS EN 60669-1
- Supplied with pull cord
- 50.8mm fixing centres



## 250W DIMMER SWITCHES

LIST NO	DESCRIPTION	CARTON QTY
VX0250PU	1 gang dimmer mains only	10
VX0252PU	2 gang dimmer mains only	5
VX0250LV	1 gang dimmer mains/low voltage	10
VX0252LV	2 gang dimmer mains/low voltage	5

- BS EN 60669-1, BS EN 55014
- Dimmers can be used 1 or 2 way

### Dimensions

86mmx86mm with 18.5mm plate depth

### Mounting boxes

Surface moulded: VX9409

Flush metal: SB655



## 400W DIMMER SWITCH

LIST NO	DESCRIPTION	CARTON QTY
VX0400PU	1 gang dimmer mains only	10
VX0402PU	2 gang dimmer mains only	5
VX0400LV	1 gang dimmer mains/low voltage	10
VX0402LV	2 gang dimmer mains/low voltage	5

- BS EN 60669-1, BS EN 55014
- Dimmers can be used 1 or 2 way

### Dimensions

86mmx86mm with 18.5mm plate depth

### Mounting box

Surface moulded: VX9409

Flush metal: SB655

## TECHNICAL CAPACITIES (mm<sup>2</sup>)

The following table summarises the terminal capacities of the principal wiring accessories.

Description	Conductor size
10AX switches	4x1mm <sup>2</sup> , 3x1.5mm <sup>2</sup> , 2x2.5mm <sup>2</sup>
20A DP switch	3x2.5mm <sup>2</sup> , 2x4.0mm <sup>2</sup> , 1x6.0mm <sup>2</sup> , 1x10mm <sup>2</sup>
45A DP switch	2x6.0mm <sup>2</sup> , 1x10mm <sup>2</sup> , 1x16mm <sup>2</sup>
13A socket outlet	3x2.5mm <sup>2</sup> , 2x4.0mm <sup>2</sup>
13A fused connection unit	3x2.5mm <sup>2</sup> , 2x4.0mm <sup>2</sup>

## RECOMMENDED QUANTITY OF SOCKET OUTLETS FOR DOMESTIC INSTALLATIONS

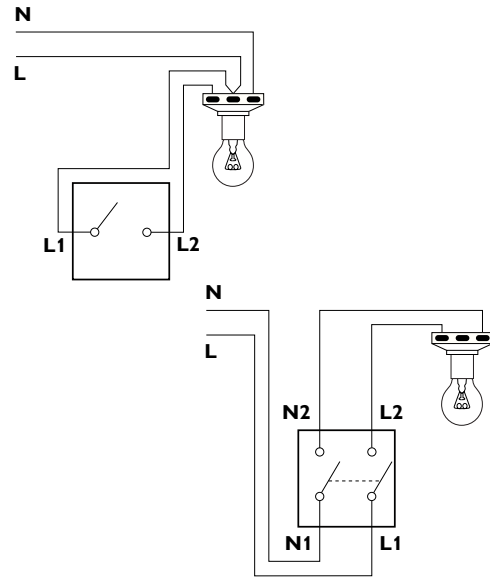
An installation may have too few socket outlets or the existing socket outlets may be incorrectly situated. Both conditions are symptomatic of an inadequate installation which could lead to potentially dangerous improvisation.

The following is a summary of the recommendations of the Electrical Installation Industry Liaison Committee. All socket outlets should be of the twin switched type.

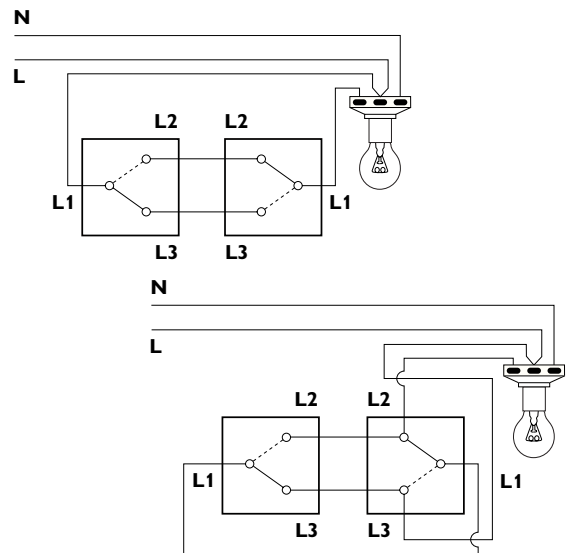
Room	Number of sockets
Kitchen	6
Lounge	6
Dining room	4
Double bedroom	4
Single bed-sitting room	4
Single bedroom	4
Landing/Stairs	1
Hall	2
Garage	2
Store/Workroom	2
Central heating boiler point	1

## WIRING CIRCUITS FOR 10AX SWITCHES

### One way circuits



### Two way circuits



### Intermediate circuits

