

N

L

VX1010

VX9706

Technical Data

VCU1

MC1080



Brand Names behind the Products



GUIDANCE ON THE USE OF LAMP HOLDERS MARKED T1 OR T2



See 8593 Ceiling Accessories

Maximum permitted rating of lamp

The information in the table is a guide to the user of lampholders marked T1 or T2 with tungsten filament lamps, although it should be appreciated that the critical factor is the actual temperature of the cap of the lamp when in use. Technical information on such temperatures is contained in this specification and in BS EN 60598-1. It is also important to ensure that the wattage rating of the lamp is not higher than that for which the particular shade or luminaire is designed. This maximum rating in watts is marked on all shades and luminaires that comply with BS4533: Part 101.

The recommendations in the table refer to typical conditions, in single lamp luminaires or installations, and in multi lamp luminaires having widely spaced lamps. Where lamps are in close proximity to each other, or in totally enclosed luminaires, it is recommended that T2 lampholders are used.

Size	Lampholder		Typical conditions of use				Maximum permitted rating of lamp
	Type	Temperature	Type of shade		Lamp position		
			Closed	Open	Cap up	Cap down	
SBC	B15d	T1					40W
SBC	B15d	T2					60W
BC	B22d	T1		-		-	60W
BC	B22d	T1	-			-	100W
BC	B22d	T1		-	-		150W
BC	B22d	T1	-		-		200W
BC	B22d	T2					200W

SBC Small bayonet cap (international type B15d)

BC Standard bayonet cap (international type B22d)

T1 Lampholder suitable for conditions up to a lamp cap temperature of 165°C

T2 Lampholder suitable for conditions up to a lamp cap temperature of 210°C

Closed shade Shade open at one end only and generally mounted directly on the lampholder

Open shade Shade open at both ends, and generally mounted on the lampholder by a wire frame

Cap up Position of lamp, typically when suspended from the ceiling by a flexible cord

Cap down Position of lamp, typically when fitted on a standard or table lamp

Where two symbols are shown together, as in B15d-T1/T2 or B22d-T2, there is no restriction on the type of shade or the position of the lamp, provided the maximum working temperatures are not exceeded

If in doubt regarding the choice of any lampholder, always use one marked T2

CFL COMPACT FLUORESCENT LAMP HOLDER

The design of the Lampholder accepts an industry standard 4 pin 10/13 Watt Compact Fluorescent G24 lamp. This reduces the power consumption, when compared to an equivalent incandescent lamp, by up to 80%.

The Lampholder is designed to European standards and has a diameter of 42mm, which is larger than the typical Lampholder which is 29mm.

A Safety feature which protects the installation will disconnect the supply to the Lampholder:-
During a lamp change, when no lamp is present, or in the case of lamp failure at the end of lamp life.
This Safety feature is reset by switching the supply to the fitting off for 10 to 15 seconds.

To learn more about B-I-A please visit us at our
WEB site: www.BiaGmbH.com



RECOMMENDED MOUNTING BOXES FOR MOULDED WIRING ACCESSORIES



See 8586 Surface Boxes



See 8597 Flush / Drylining Boxes

Product	List no	Moulded (surface) box List no	Metal (flush) box List no	Drylining (flush) box List no	
10A switch 1 gang	VX1010	VX9404	SB623	SB619	Flush box recommendations as shown in the adjacent table. Industrial metalclad accessories (suffix SG) are supplied complete with matching surface mounting boxes.
10A switch 1 gang	VX1020	VX9404	SB623	SB619	
10A switch 1 gang	VX1030	VX9404	SB623	SB619	
10A switch 2 gang	VX1040	VX9404	SB623	SB619	
10A switch 3 gang	VX1050	VX9404	SB623	SB619	
10A switch 4 gang	VX1054	VX9412	SB665	SB629	
13A socket 1 gang	VX9100	VX9409	SB655	SB619	
13A socket 1 gang	VX1300	VX9409	SB655	SB619	
13A socket 1 gang	VX1400	VX9409	SB655	SB619	
13A socket 2 gang	VX9200	VX9414	SB665	SB629	
13A socket 2 gang	VX1500	VX9414	SB665	SB629	
13A socket 2 gang	VX1600	VX9414	SB665	SB629	
13A socket 2 gang	VX1700	VX9414	SB665	SB629	
13A socket 2 gang	VX1800	VX9414	SB665	SB629	
13A socket 3 gang	VX9230	VX9403	SB646	—	
20A switch	VX1060	VX9409	SB655	SB619	
20A switch	VX1070	VX9409	SB655	SB619	
50A ceiling switch	VX9706	VX9405	—	—	
45A switch	VX9702	VX9416	SB628	SB631	
45A switch	VX9703	VX9416	SB628	SB631	
45A switch	VX9712	VX9405	SB618	SB632	
45A switch	VX9713	VX9405	SB618	SB632	
Cooker unit	VX9700	VX9416	SB628	SB631	
Cooker unit	VX9701	VX9416	SB628	SB631	
Fused connection unit	VX1080	VX9409	SB655	SB619	
Fused connection unit	VX1081	VX9409	SB655	SB619	
Fused connection unit	VX1090	VX9409	SB655	SB619	
Fused connection unit	VX1091	VX9409	SB655	SB619	
Telephone socket	VX9974	VX9404	SB655	SB619	
Secondary socket	VX9984	VX9404	SB655	SB619	
2 module mounting plate	VX9062	VX9405	SB615	SB619	
4 module mounting plate	VX9064	VX9416	SB625	SB629	
Shaver unit	VX9800	VX9410	SB628	SB631	
TV outlet 1 gang	VX9992	VX9409	SB655	SB619	
TV outlet 2 gang	VX9993	VX9409	SB655	SB619	
13A flex outlet plate	VX9990	VX9409	SB655	SB619	
Cooker outlet plate	VX9704	VX9405	SB615	SB632	

To learn more about B-I-A please visit us at our
WEB site: www.BiaGmbH.com



TECHNICAL CAPACITIES (mm²)

The following table summarises the terminal capacities of the principal wiring accessories.

Description	Conductor size
10AX switches	4x1mm ² , 3x1.5mm ² , 2x2.5mm ²
20A DP switch	3x2.5mm ² , 2x4.0mm ² , 1x6.0mm ² , 1x10mm ²
45A DP switch	2x6.0mm ² , 1x10mm ² , 1x16mm ²
13A socket outlet	3x2.5mm ² , 2x4.0mm ²
13A fused connection unit	3x2.5mm ² , 2x4.0mm ²

RECOMMENDED QUANTITY OF SOCKET OUTLETS FOR DOMESTIC INSTALLATIONS

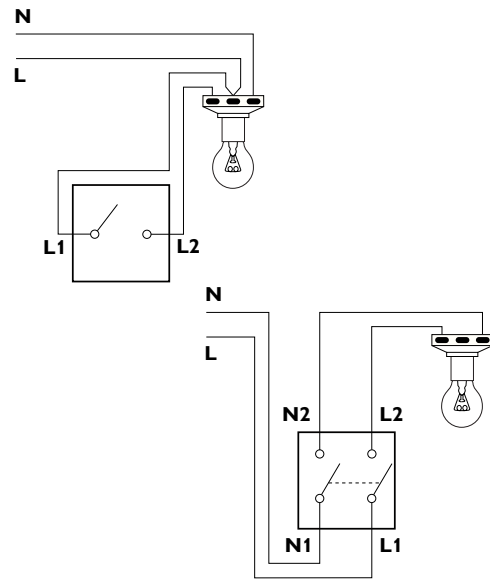
An installation may have too few socket outlets or the existing socket outlets may be incorrectly situated. Both conditions are symptomatic of an inadequate installation which could lead to potentially dangerous improvisation.

The following is a summary of the recommendations of the Electrical Installation Industry Liaison Committee. All socket outlets should be of the twin switched type.

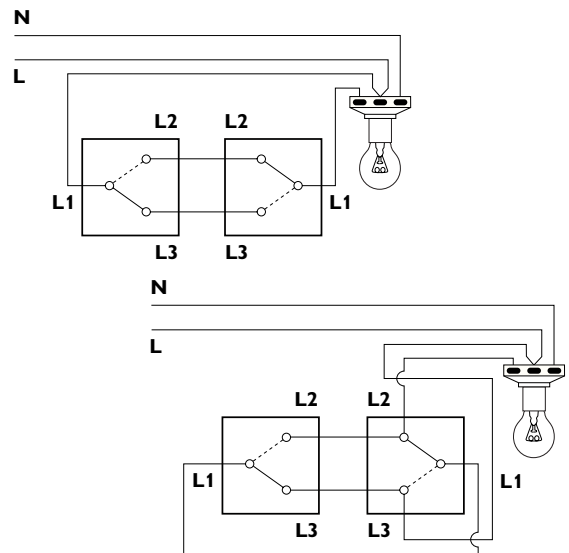
Room	Number of sockets
Kitchen	6
Lounge	6
Dining room	4
Double bedroom	4
Single bed-sitting room	4
Single bedroom	4
Landing/Stairs	1
Hall	2
Garage	2
Store/Workroom	2
Central heating boiler point	1

WIRING CIRCUITS FOR 10AX SWITCHES

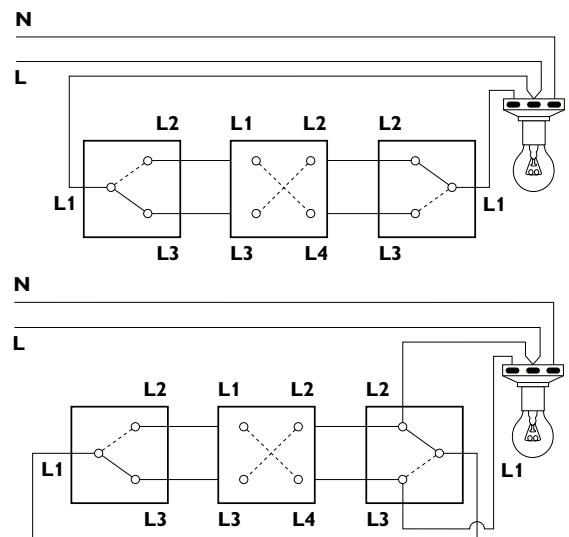
One way circuits



Two way circuits



Intermediate circuits



CUT OUT DETAILS FOR INTERIOR RANGE (dimensions in mm)

10AX/20A switch interiors

LIST NO	A	B	C	D	E	F
All 1 gang	60.3	17.1	30.6	-	-	-
MC1040	60.3	33.4	30.6	-	-	-
MC1050	60.3	49.7	30.6	-	-	-
MC1054	120.6	33.4	30.6	40.2	-	-
MC1060	60.3	17.1	30.6	28.4	4.5 to 4.7	9.4
MC1013	60.3	47.9	30.6			

45A DP switch

LIST NO	A	B	C	D	E	F
MC9702	120.7	42.2	24.5	34.9	9.4	4.5 to 4.7

13A Fused connection units

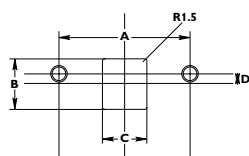
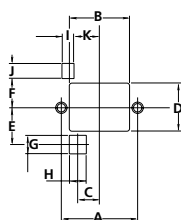
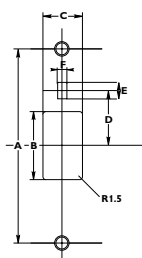
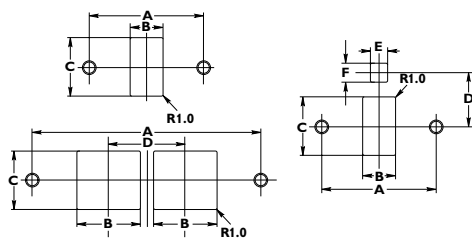
LIST NO	A	B	C	D	E	F	G	H	I	J	K
MC1080	60.3	48.0	17.0	38.0	29.0	-	14.0	14.0	-	-	-
MC1081	60.3	48.0	17.0	38.0	29.0	23.0	14.0	14.0	9.45 to 9.60	11.35 to 11.50	20.3
MC1090	60.3	22.0	17.0	38.0	29.0	-	14.0	14.0	-	-	-
MC1091	60.3	22.0	17.0	38.0	29.0	23.0	14.0	14.0	9.45 to 9.60	11.35 to 11.50	20.3

Telephone outlets

LIST NO	A	B	C	D
MC9974	60.3	23.3	20.3	4.6
MC9984	60.3	23.3	20.3	4.6

Coaxial outlet

LIST NO	A	B	C
MC9992	60.3	-	17.3
MC9993	60.3	25.4	17.3



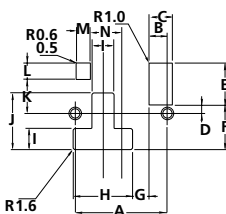
To learn more about B-I-A please visit us at our
WEB site: www.BiaGmbH.com





See 8585 Interiors

CUT OUT DETAILS FOR INTERIOR RANGE (dimensions in mm)

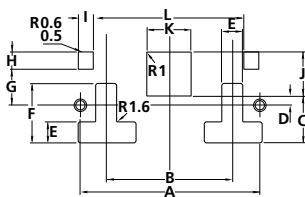


13A single socket outlet interiors

LIST NO	A	B	C	D	E	F	G	H	I	J	K	L	M	N
MC1300	60.3	12.0	15.4	5.7	28.6	30.4	10.8	38.8	14.2	38.4	-	-	-	-
MC1400	60.3	12.0	15.4	5.7	28.6	30.4	10.8	38.8	14.2	38.4	23.0	11.35	9.45	20.3
												to	to	
												11.50	9.60	

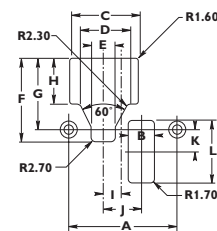
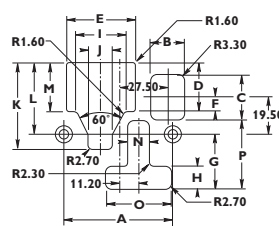
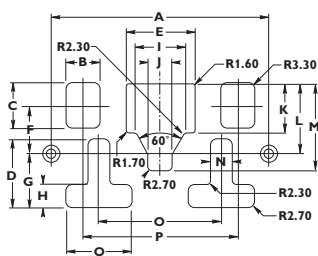
13A twin socket outlet interiors

LIST NO	A	B	C	D	E	F	G	H	I	J	K	L
MC1500	120.6	84.4	30.4	5.7	14.2	38.4	-	-	-	28.6	29.9	-
MC1600	120.6	84.4	30.4	5.7	14.2	38.4	23.0	11.35	9.45	28.6	29.9	101.2
								to	to			
								11.50	9.60			



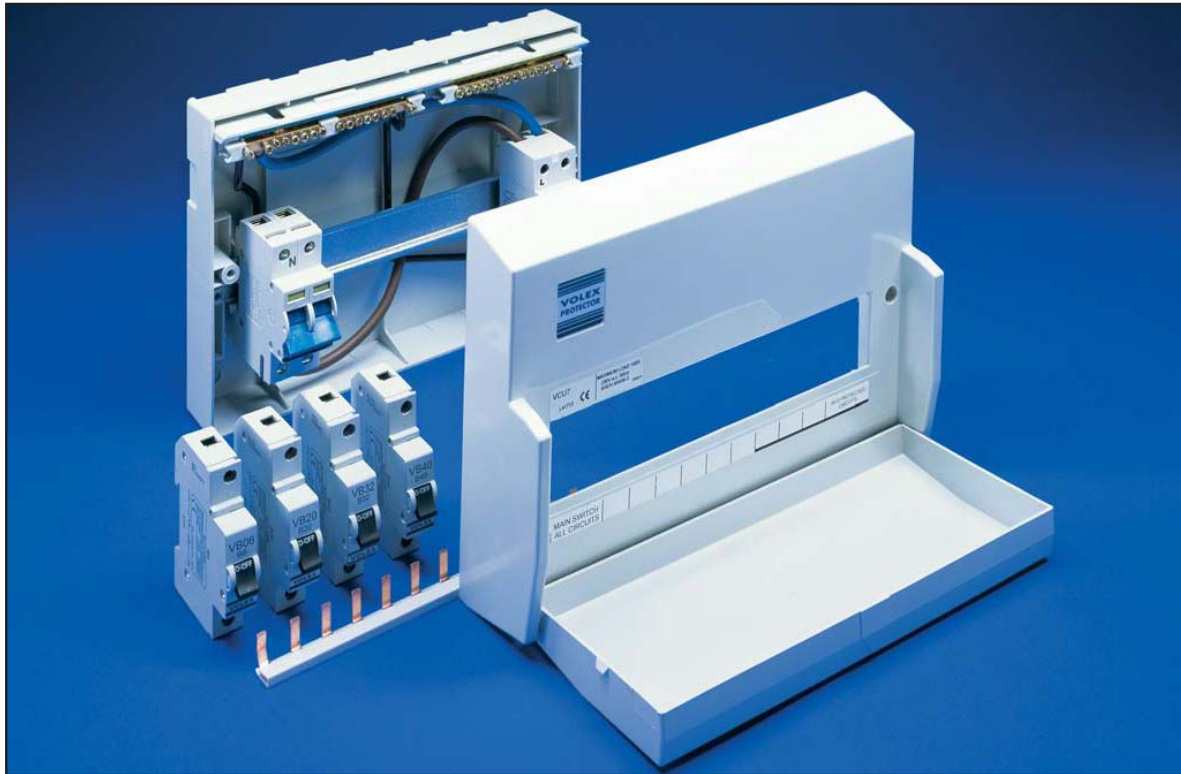
RCD socket outlet interiors

LIST NO	A	B	C	D	E	F	G	H	I	J	K	L	M	N	O	P	Q
MC1092	60.3	14.39	38.4	27.15	13.4	44.46	37.85	24.4	10.25	20.5	12.0	33.59	-	-	-	-	-
MC1108	60.3	19.0	24.6	26.4	38.4	12.3	29.55	12.1	27.15	13.4	46.45	38.35	26.4	12.2	36.7	36.35	-
MC1208	38.40	19.0	24.6	36.35	27.15	26.05	28.3	12.1	27.15	13.4	26.4	37.65	46.45	12.2	68.0	86.4	36.7



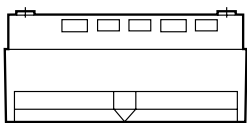
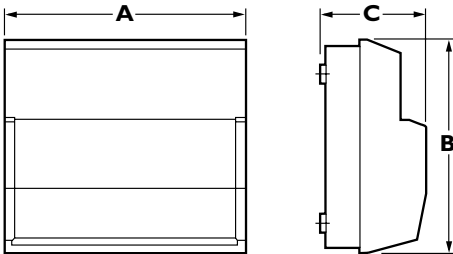
To learn more about B-I-A please visit us at our
WEB site: www.BiaGmbH.com





See 8588 Circuit Protection Range

CONSUMER UNITS



Dimensions (mm)

List No	A	B	C
VCU0	118	160	103
VCU1	190	211	107
VCU2	190	211	107
VCU3	243	211	107
VCU4	243	211	107
VCU5	243	211	107
VCU6	344	211	107
VCU7	294	211	107
VCU8	294	211	107
VCU9	439	211	107
VCU10	294	211	107
VCU11	439	211	107
VCU13	118	160	103

All units are supplied complete with factory fitted main switch and/or RCCB, top mounted neutral and earth bars, associated busbars, Installation Instructions and circuit identification labels.

In split-load units the main switch is fitted on the left of the unit and the RCCB on the right making the selection of split between RCCB and the main switch easier to configure on site.

All outgoing MCBs and RCBOs fit securely onto full DIN rail with main connections made by means of a specially designed comb busbar which can be cut to length required.

This method enables the installer to assemble units to suit the circuit requirements of each installation and affords maximum flexibility.

Specification	Standards Compliance	Terminal capacities	Tripping Characteristic	Rated Voltage
Consumer Units	BS EN 60439-3			
Main Switch	BS EN 60947-3	35mm		230V
RCCBs	BS EN 61008-1	35mm	Type AC	230V
MCBs	BS EN 60898	25mm	Type B, 6kA	230V
RCBOs	BS EN 61009	25mm	Type C, 6kA 30mA	230V

Classification of MCB Performance BSEN 60898 -Type B

