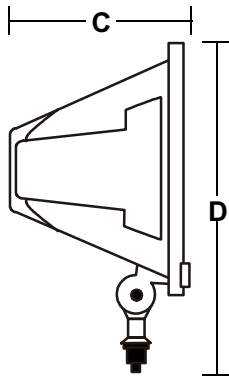
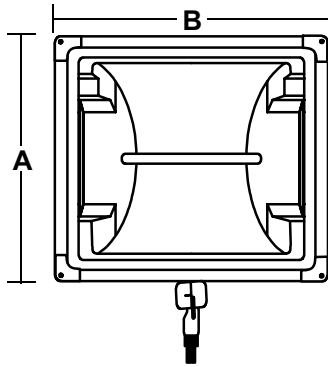


Dimensions



QM-500

A	B	C	D
8 3/8"	8 3/8"	4 7/8"	11 5/16"
213 mm	213 mm	124 mm	287 mm

Specifications



Application

General area lighting where instant illumination is required, as well as for security, sign, car lots, construction sites, and sports area lighting.

Reflector

Quartzmiser's™ linear parabolic reflector provides maximum light output and control. Its wide beam is perfect for a variety of applications.

Cast Aluminum Housing

One-piece die cast aluminum body is designed with specialized heat dissipating fins for cooler operation and long lamp life.

Tempered Glass Lens

Thermal shock and impact resistant glass lens held in place by (4) galvanized retaining clips.

High Temperature Gasketing

A weathertight seal is provided by a high temperature silicone gasket attached to the housing. Four lens clips positively seal the lens to the gasket with consistent pressure to assure a weathertight seal.

Exclusive Socket

The die cast housing in conjunction with a galvanized cover retains a fixed and spring loaded high temperature socket that allows easy relamping and prevents socket from binding. Each is prewired with high temperature leads extended to knuckle. Fixture includes bare copper ground wire.

Versatile Mounting

The standard unit has a 1/2" swivel knuckle with cast construction for strength and universal aiming.

Factory Installed Lamp

Save on fixture installation with lamp installed and shipped in socket. You get the right lamp less packaging.

Ordering Information

series	wattage	mounting	beam distribution	option
QM	5	0		

SERIES

QM	Quartzmiser™
----	--------------

MOUNTING

0	1/2" knuckle
---	--------------

OPTION¹

LO5	With 500W, 120V lamp
-----	----------------------

WATTAGE

5	300/500W
---	----------

BEAM DISTRIBUTION

0	Wide - Quartzmiser (includes lamp)
0E	Wide - Quartzmiser (less lamp)

1. For Canada orders with lamp, add 3 to suffix.

Note: Order accessories separately. See Accessories.

Ordering Information

ACCESSORIES - Must be ordered separately

Catalog Number	Description	Weight	
		lbs.	kg.
QL-TB	Crossarm trunnion box. Half yoke with large wiring box for mounting to any flat surface.	.8	.3
S-302	Pole top slipfitter for 1/2" swivel knuckle. Slipfits 2 3/8" OD pipe.	.8	.3

Footcandle Array Diagram

