

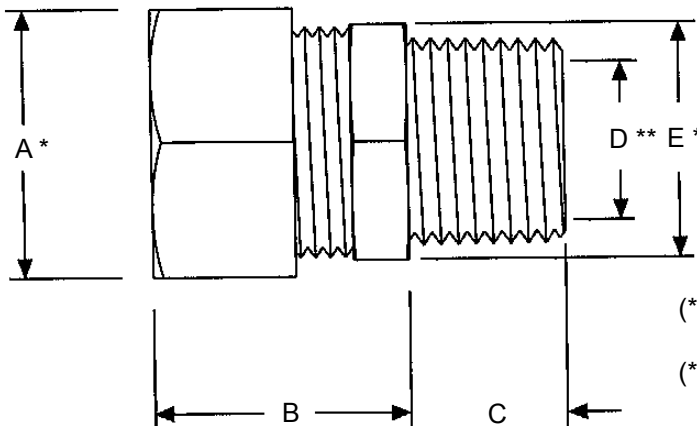
Stainless Steel Straight Cord Connectors

- ❑ Stainless steel cord connectors provide superior strength and corrosion resistance for industrial and military applications. They are machined from 300 series stainless steel and come in 1/4" to 1", N.P.T. hub sizes.
- ❑ IP66 Suitability when used with optional metal clad O-ring.
- ❑ UL Listed in accordance with Standard 514B, CSA Certified, United States Coast Guard Approval, Title 46-Part 111.
- ❑ These cord connectors are suitable for use in hazardous locations per Class I Div. 2, Class II Div. 1 & 2, Class III Div. 1 & 2 N.E.C. Reference 501-4(b), 502-4(a), 502-4(b), 503-3(a), and 503-3(b).
- ❑ Due to the limiting factors of nylon and neoprene, any complete cord connector with a GOTCHA® ring, will continuously perform in the range of -30°F to +225°F (-34°C to +107°C).



Catalog No.	Hub Size	Cord Ø	Color-Code	Form Size	Thread Spec.	A/C*	A/F*	B	C	D**	E/C*	E/F*
SHC1003SS SHC1004SS	1/4	4.7 - 6.3 6.3 - 7.9	Red Black	F1	1/4 - 18 NPT	25.7	22.4	22.9	11.7	9.7	22.1	19.0
SHC1009SS SHC1011SS SHC1012SS	3/8	4.7 - 6.3 7.9 - 9.5 9.5 - 11.0	Red White Blue	F1	3/8 - 18 NPT	25.7	22.4	22.9	11.7	11.4	22.1	19.0
SHC1020SS SHC1021SS SHC1022SS SHC1023SS SHC1024SS	1/2	3.2 - 4.7 4.7 - 6.3 6.3 - 9.7 9.7 - 12.7 12.7 - 15.9	Orange Red White Blue Brown	F2	1/2 - 14 NPT	33.0	28.7	27.9	13.7	16.0	29.5	25.4
SHC1035SS SHC1036SS SHC1037SS SHC1038SS***	3/4	9.5 - 12.7 12.7 - 15.9 15.9 - 19.0 19.0 - 22.2	Blue Brown Yellow Orchid	F3	3/4 - 14 NPT	40.4	35.1	33.0	14.2	20.6	36.6	31.7
SHC1041SS SHC1042SS SHC1044SS***	1	15.9 - 19.0 19.0 - 22.2 25.4 - 28.6	Yellow Orchid Pink	F4	1 - 11½ NPT	51.3	44.4	35.6	17.8	26.2	47.8	41.4

*** Cable jacket may have to be stripped to pass through connector body.



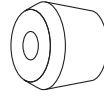
UL Listed to Type 4,
4X, 12 and Type 13

(*) A/F + E/F – Across Flats
A/C + E/C – Across Corners

(**) D – Throat Diameter

All Dimensions in mm

Wire Management Products Accessories



Cord Connector Parts

N.P.T. Hub Size	Cord Diameter Inches (mm)	Form Size	Bushing Catalog Numbers	Color Code	GOTCHA® Ring Catalog Numbers
1/4, 3/8, 1/2	.062"-.125" (1.58-3.17)	F1	31518101BPK100	Green	31648035GPK100
	.125"-.187" (3.17-4.76)		31518102BPK100	Orange	31648036GPK100
	.187"-.250" (4.76-6.35)		31518103BPK100	Red	31648037GPK100
	.250"-.312" (6.35-7.93)		31518104BPK100	Black	31648038GPK100
	.312"-.375" (7.93-9.50)		31518105BPK100	White	31605010GPK100
	.375"-.437" (9.50-11.1)		31518106BPK100	Blue	31648039GPK100
1/2, 3/4	.187"-.250" (4.76-6.35)	F2	31518110BPK100	Red	31648042GPK100
	.250"-.375" (6.35-9.50)		31518111BPK100	White	31605015GPK100
	.375"-.500" (9.50-12.7)		31518112BPK100	Blue	31648043GPK100
	.500"-.625" (12.7-15.8)		31518113BPK100	Brown	31648044GPK100
1/2, 3/4	.375"-.500" (9.50-12.7)	F3	31518116BPK100	Blue	31648045GPK100
	.500"-.625" (12.7-15.8)		31518117BPK100	Brown	31648046GPK100
	.625"-.750" (15.8-19.0)		31518118BPK100	Yellow	31648047GPK100
	.750"-.875" (19.0-22.2)		31518119BPK100	Orchid	31648048GPK100
1	.500"-.625" (12.7-15.8)	F4	31518123BPK100	Brown	31648050GPK100
	.625"-.750" (15.8-19.0)		31518124BPK100	Yellow	31648051GPK100
	.750"-.875" (19.0-22.2)		31518125BPK100	Orchid	31648052GPK100
	.875"-1.00" (22.2-25.4)		31518126BPK100	Gray	31648053GPK100
	1.00"-1.125" (25.4-28.5)		31518127BPK100	Pink	31648054GPK100

Note: Catalog numbers above with "PK100" suffix, i.e. 31518101BPK100, are bulk packed 100 per carton.



Zinc-Plated Steel Locknuts

Locknuts – Steel and Non-Metallic

N.P.T. Hub Size	Zinc-Plated Steel	Non-Metallic
1/4	•	31622001LPK50
3/8	•	31622002LPK50
1/2	00322001LPK50	31622003LPK50
3/4	00322002LPK50	31622007LPK50
1	00322003LPK50	31622008LPK50
1 1/4	00322004LPK50	•
1 1/2	00322005LPK50	•

Notes: Catalog numbers above with "PK50" suffix, i.e. 00322001LPK50, are bulk packed 50 per carton. See technical data and dimensional drawings.



Non-Metallic Locknuts

Metal Clad Sealing O-Rings

N.P.T. Hub Size	Catalog Numbers
1/2	20509001
3/4	20509002
1	20509003
1 1/4	20509004
1 1/2	20509005
2	20509006
2 1/2	20509007
3	20509008

Note: See technical data and dimensional drawings.

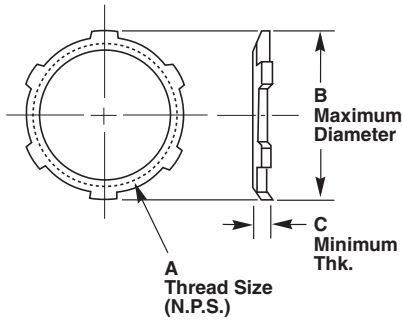


Metal Clad Sealing O-Rings

Wire Management Products

Technical Information

Locknuts and Sealing O-Rings



N.P.T. Thread Locknuts

Zinc-Plated Steel and Non-metallic

N.P.T. Hub Size	A Inside Dia. inches (mm)	B Outside Dia. inches (mm)	C Thk. inches (mm)	Steel Catalog Numbers
1/2	1/2"-14	1.14" (29.0)	.09" (2.3)	00322001
3/4	3/4"-14	1.43" (36.3)	.11" (2.8)	00322002
1	1"-11 1/2	1.77" (45.0)	.13" (3.3)	00322003
1 1/4	1 1/4"-11 1/2	2.28" (57.9)	.13" (3.3)	00322004
1 1/2	1 1/2"-11 1/2	2.60" (66.0)	.13" (3.3)	00322005

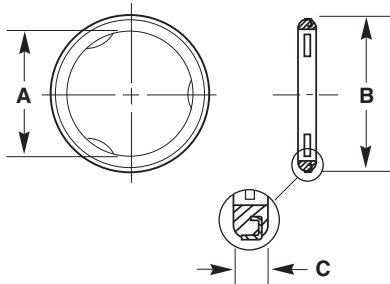
Metal Clad Sealing O-Rings – Sizes 1/2 - 4

Zinc-Plated Steel with Neoprene Ring

N.P.T. Hub Size	A Inside Dia. inches (mm)	B Outside Dia. inches (mm)	C Thk. inches (mm)	Catalog Numbers
1/2	.80" (20.3)	1.08" (27.4)	.16" (3.2)	20509001
3/4	1.00" (25.4)	1.34" (34.0)	.16" (3.2)	20509002
1	1.25" (31.6)	1.63" (41.4)	.16" (3.2)	20509003
1 1/4	1.61" (40.9)	2.00" (50.8)	.16" (3.2)	20509004
1 1/2	1.84" (46.7)	2.36" (59.9)	.16" (3.2)	20509005
2	2.31" (58.7)	2.83" (71.9)	.16" (3.2)	20509006

Chrome Plated Steel with Neoprene Ring

2 1/2	2.91" (73.9)	3.44" (87.4)	.24" (6.1)	20509007
3	3.52" (89.4)	4.08" (103.6)	.24" (6.1)	20509008
4	4.54" (115.3)	5.30" (134.6)	.29" (7.4)	20509009



Wire Management Products

Technical Information

Cord Connectors

Operating Temperatures

Material	Temperature Range	
Aluminum	-40°F to +300°F	(-40°C to +149°C)
Nylon (connectors and GOTCHA® rings)	-40°F to +225°F	(-40°C to +107°C)
Plated steel*	-60°F to +1000°F	(-51°C to +537°C)
Stainless steel*	-60°F to +1000°F	(-51°C to +537°C)
Neoprene (bushings)	-30°F to +240°F	(-34°C to +115°C)

*Due to the limiting factors of nylon and neoprene, any complete cord connector with a GOTCHA ring, Form 1-5, will continuously perform in the range of -30°F to +225°F (-34°C to +107°C).

Cord connectors without GOTCHA rings, Form 6-8, will continuously operate in the range -30°F to +240°F (-34°C to +115°C) due to the limiting factor of neoprene.

Hazardous Locations

Cord connectors are suitable for use in hazardous locations per Class I Div. 2, Class II Div. 1 & 2, Class III Div. 1 & 2 in accordance with the NEC.

Flammability

Nylon cord connectors have a UL 94-V2 rating.

Approvals

Agency

UL Listed in accordance with Standard 514B.

CSA Certified.

United States Coast Guard Approved, Title 46-Part 111.

Form Size Definition

The term "Form Size" refers to the physical overall size of a cord connector.

Form 1 is the smallest size.

Form 8 is the largest size.

Knockout Holes

N.P.T. Hub Size	Knockout Hole Recommended		Knockout Hole Recommended			Knockout Hole Recommended		
	Min.	to Max.	PG Hub Size	Inches	(mm)	Metric Hub Size	Inches	(mm)
¼	.54"	-.57"	PG7	.492"	(12.5)	M12	.472"	(12)
⅜	.67"	-.70"	PG9	.599"	(15.2)	M16	.629"	(16)
½	.86"	-.91"	PG11	.733"	(18.6)	M20	.787"	(20)
¾	1.04"	-1.09"	PG13.5	.804"	(20.4)	M25	.984"	(25)
1	1.36"	-1.41"	PG16	.888"	(22.5)	M32	1.25"	(32)
1¼	1.72"	-1.77"	PG21	1.15"	(28.3)	M40	1.57"	(40)
1½	1.97"	-2.02"	PG29	1.47"	(34.3)			
2	2.45"	-2.50"	PG36	1.85"	(47.0)			
2½	2.95"	-3.00"						
3	3.58"	-3.63"						