



Australian / New Zealand Plug Bases & Nursery Plugs

- **3 Pin Plug Bases**

Single-screw mounting, low-profile (29mm high) options for plug-in connections where a switched powerpoint is unnecessary, in 10A (Cat. 35) and 15A (Cat. 36) ratings. Flush or panel mounting plug bases in various current ratings (Cat. 38).

- **4 Pin Plug Bases**

Provides outlet for standard lighting 3 pin plug or for special lighting when used with 4 pin plug (Cat. 94). Single (Cat. 33) or double gang (Cat. 34).

- **Nursery Plugs – Child Safety Plugs**

Toddlers have an insatiable curiosity. These economical and reliable safety plugs prevent toddlers from poking things into powerpoints but are easily removed by adults and suit all standard Australian / New Zealand 3-pin sockets.



RCM (Regulatory Compliance Mark): signifies that a product meets relevant electrical safety and Electromagnetic Compatibility (EMC) requirements.



Quality logo: Used to signify that a product is manufactured under a quality system certified as complying with ISO/AS9002 by an accredited certification body.

To learn more about B-I-A please visit us at our
WEB site: www.BiaGmbH.com



PLUG BASES

Single-screw mounting, low-profile (29mm high) options for plug-in connections where a switched powerpoint is unnecessary, in 10A (Cat. 35) and 15A (Cat. 36) ratings. For larger terminals or to suit screwed conduit junction boxes, use Cat. 35J series.



Mounting method	Surface
Voltage	250V ac
Frequency	50 Hz
Dimensions	56mm dia x 29mm H

Colours



3 pin plug surface bases, low profile, 250V ac

Available in White (WE), Grey (GY), Brown (BR) & Black (BL). Size: 56mm dia x 29mm high.

Item code	Description
35	10A surface base, 3 pin flat



4 pin plug surface bases, 250V ac

Available in White (WE) & Red (RED).

Item code	Description
33	10A 4 pin plug base with looping terminal. 50mm mounting centres. 69 x 69 x 46mm.
33NLT	10A 4 pin plug base without looping terminal. 50mm mounting centres. 69 x 69 x 46mm.
33B	Snap-on base plate for cat. no. 33 range. 58mm mounting centres. 114mm x 70mm.
34	10A double 4 pin plug base with looping terminal. 84mm mounting centres. 69 x 106 x 46mm
34NLT	10A double 4 pin plug base without looping terminal. 84mm mounting centres.
34B	Snap-on base plate for cat no 34 range. 91mm mounting centres. 150mm x 70mm



Plug bases, surface, 250V ac

Size 65mm dia x 48mm high.

Item code	Description
37	10A plug base, 3 pin flat, includes 37B snap-on base plate.
37/15	15A plug base, 3 pin flat.
37/20	20A plug base, 3 pin flat
37R	10A plug base, 3 pin, round earth, flat active & neutral
37/2R	10A plug base, 3 pin, flat earth, round active & neutral
37B	Snap-on base plate for cat no 37 range. Also fits cat nos 366, 80 & 33.
37D	10A plug base, 3 pin flat, with bushed nail point screws



Plug bases for panel or flush mounting, 250V ac

Supplied as base mechanism plus front plate. Size: 38mm dia x 25mm deep. Available in White (WE) & Black (BL).

Item code	Description
38	10A plug base, 3 pin flat, suits panel thickness of 2.5mm
38A0	10A plug base, 3 pin flat, suits panel thickness of 1.0mm
38A1	10A plug base, 3 pin flat, suits panel thickness of 1.2mm
38A2	10A plug base, 3 pin flat, suits panel thickness of 1.5mm
38A3	10A plug base, 3 pin flat, suits panel thickness of 1.6mm
38A4	10A plug base, 3 pin flat, suits panel thickness of 2.0mm
38A5	10A plug base, 3 pin flat, suits panel thickness of 2.2mm
38R	10A plug base, 3 pin, round earth, flat active & neutral, suits panel thickness of 2.5mm
38/2R	10A plug base, 3 pin, flat earth, round active & neutral, suits panel thickness of 2.5mm
38/15	15A plug base, 3 pin flat, suits panel thickness of 2.5mm
38/20	20A plug base, 3 pin flat, suits panel thickness of 2.5mm
38/25	25A plug base, 2 pin flat with L earth pin, suits panel thickness of 2.5mm

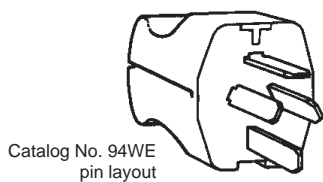
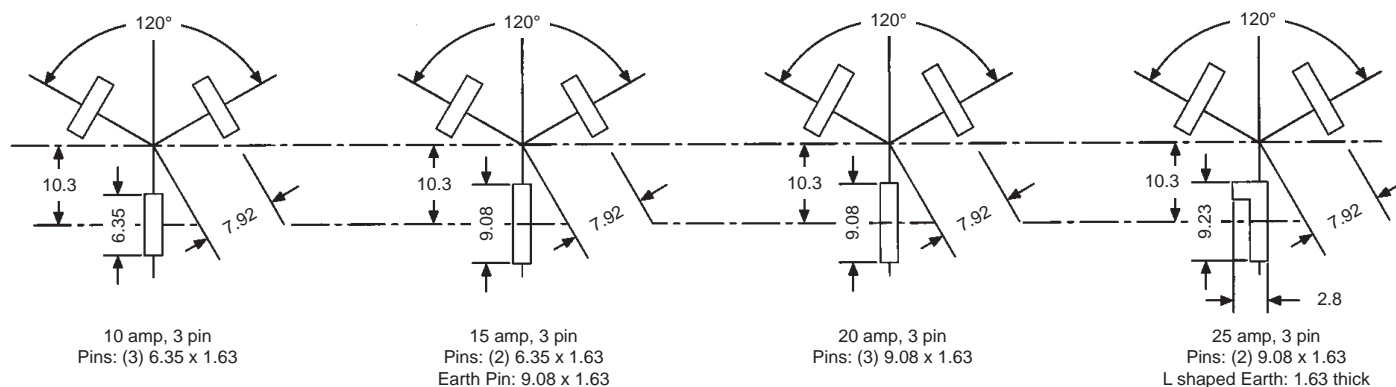


Plug base and plate assemblies

Suits standard mounting accessories. Can be mounted horizontally or vertically. Size: 114 x 70mm.

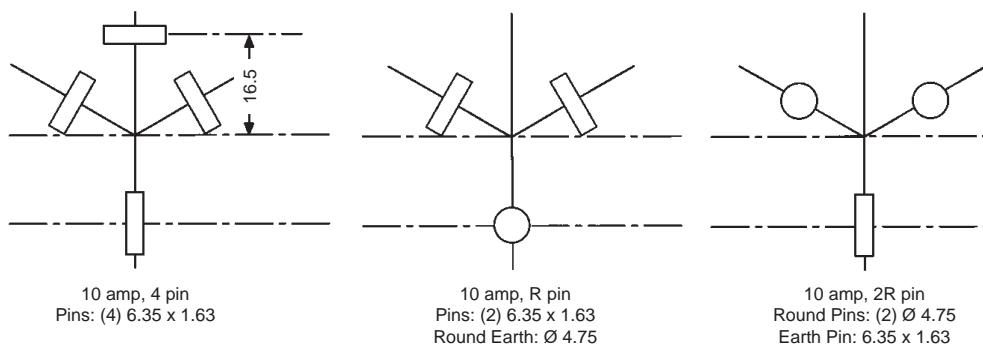
Item code	Description
38/1	10A, cat. no. 38 plug base on plate
38/115	15A, cat. no. 38/15 plug base on plate
38/1R	10A, cat. no. 38R plug base on plate
38/120	20A, cat. no. 38/20 plug base on plate
38/12R	10A, cat. no. 38/2R plug base on plate

Plug and pin configurations and dimensions



All diagrams socket front view
All flat pins 1.63 mm thick
All round pins 4.75 mm diameter

120°, 7.92, 10.3 apply to all diagrams.
For dimensions not shown, refer to AS3112.



NURSERY PLUGS

Toddlers have an insatiable curiosity. These economical and reliable safety plugs prevent toddlers from poking things into powerpoints but are easily removed by adults and suit all standard Australian / New Zealand 3-pin sockets.



Additional features Curious toddlers are protected but adults can remove them easily.

Colours



white



Nursery Plugs

Item code	Description
D1002	Child safety plug, 3 pin flat, pack of 6
D1002/1	Child safety plug, slimline, pack of 12

To learn more about B-I-A please visit us at our
WEB site: www.BiaGmbH.com

