

Straight Blade Plugs and Connectors

■ Electrical Ratings of Plugs and Connectors

Every plug and connector has an electrical rating indicated on the device.

The electrical rating tells you two important things: the **voltage** and the **maximum load in amps** for which the plug or connector can safely supply power.

For example, a plug or connector marked with a rating of 15A 125VAC can be used to supply a maximum load of 15 Amps at 125 Volts.

In addition, plugs have blades and connectors have slots arranged according to their ratings.

This is done to help prevent mismatching of plugs and connectors with different ratings.

The arrangement of blades and slots is called the **NEMA® (National Electrical Manufacturers Association®)** configuration.

This is done to help prevent mismatching of plugs and connectors with different ratings.

A common configuration for household use is NEMA 1-15P.

This type of two-prong plug is also called a **polarized** plug.

It has one blade wider than the other, and can mate with polarized outlets or connectors in only one way: the wider blade fits into the wider slot.

There are other configurations and they all have the following in common:

- All devices use identical configurations for corresponding voltage/ampere ratings.
- The configurations are determined by NEMA.
- When making an extension cord, or replacing the plug or connector on an extension cord

THE PLUG AND CONNECTOR MUST HAVE CORRESPONDING RATINGS AND NEMA CONFIGURATIONS.

MISMATCHING THE RATING AND NEMA CONFIGURATIONS ON AN EXTENSION CORD IS UNSAFE, AND A VIOLATION OF ELECTRICAL CODE.

■ Standard Model – Light Duty



101-WP



102-WP



2-Pole 2-Wire Non-Grounding (L+N)

- Polarized for replacement on lamps and small appliances
- Hinged design for easy, fast assembly
- Ratings: 15 Amp, 125 Volt AC, NEMA 1-15P/1-15R
- Color Suffix: White -WP, Black -EP, Brown -P



3W101-WH



3W102-WH



2-Pole 3-Wire Grounding (L+N+PE)

- Grounding for replacement on tools, appliances and household extension cords
- Hinged design for easy, fast assembly
- Ratings: 15 Amp, 125 Volt AC, NEMA 5-15P/5-15R
- Color Suffix: White -WH, Black -E, Gray -GY, Orange -OR

■ Installation

For Polarized Plug (wider blade)
Ribbed wire to Silver Screw

Silver Screw (polarized plug)
Brass Screw (non-polarized plug)

CATALOG NO. 101

Wire Channel

Assembly Screw

Brass Screw

Ribbed Wire

Assembly Screw

Brass Screw

Wire Channel

Silver Screw

CATALOG NO. 102

Silver Screw

Green Screw

CATALOG NO. 3W102

Wire Channel

Assembly Screw

Brass Screw

Green Screw

Brass Screw

Wire Channel

Assembly Screw

Silver Screw

CATALOG NO. 3W101

Must not be disposed with household waste!

Installation may only be carried by people (qualified electricians) with relevant electrical engineering knowledge and experiences!

Straight Blade Plugs and Connectors

Standard Model – Vinyl



2-Pole 3-Wire Grounding (L+N+PE)

- Resists moisture and chemicals
- Replacement for household extension cords
- **Yellow** Models available: 15A or 20A, 125V AC or 250V AC, NEMA 5-15P/5-15R, 5-20P/5-20R, 6-15P/6-15R, 6-20P/6-20R
- **Orange** Model: 15A 125V AC, NEMA 5-15P/5-15R only

Standard Model – Rubberized



2-Pole 3-Wire Grounding (L+N+PE)

- Resists cold, moisture, chemicals, dirt and extreme temperatures
- Ideal for power tools and shop vacs
- Ratings: 15 Amp, 125 Volt AC, NEMA 5-15P/5-15R
- Color: Black only

Additional Information

Python® Plugs and Connectors

- Features a hinged design for fast, easy, installation and assembly
- Tough high-impact body
- Triple-drive screws for easy wiring – standard, Phillips, Robertson
- Wide cord clamp range, 18/3 SVT to 10/3 ST, 0.245" to 0.7" (6.2 to 17.8)mm

Python® Industrial Grade

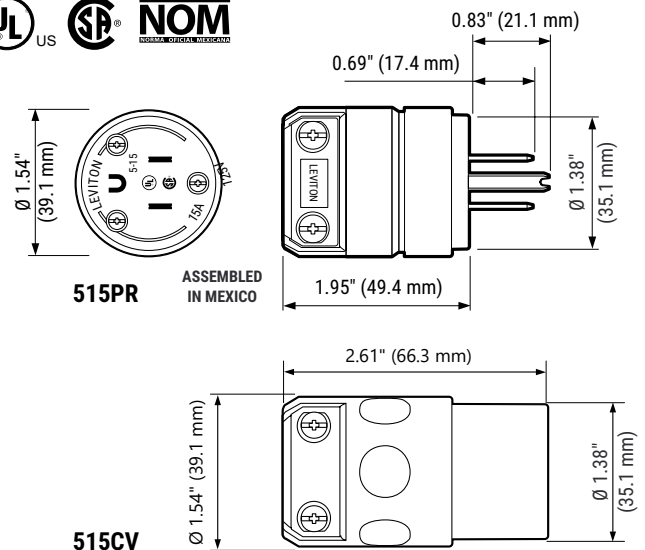
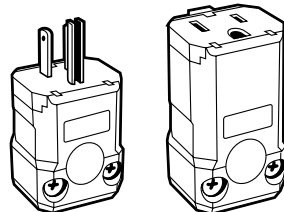
- Standard color yellow, additional colors available on selected models only
- Clear thermoplastic back cover for easy visual inspection of wiring

Python® Hospital Grade

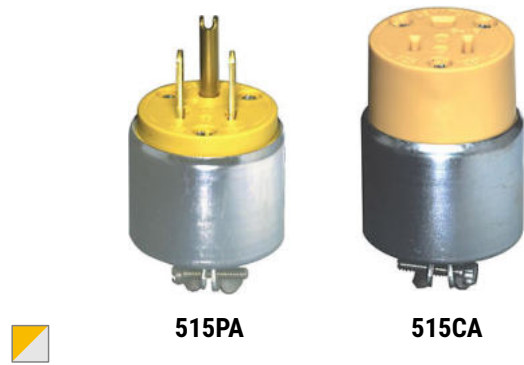
- Hospital grade devices meet the highest standards for dependable, long term performance
- Unmatched quality and performance confirmed by rigorous UL 498 testing
- Standard color white, additional colors available on selected models only
- Clearly identified by green dot

Must not be disposed with household waste!

Installation may only be carried by people (qualified electricians) with relevant electrical engineering knowledge and experiences!



Standard Model – Preferred



2-Pole 3-Wire Grounding (L+N+PE)

- Armored husk and cord clamps protect against chipping and cracking
- Ideal for shops, garages and rough duty work with hard floors
- Models available: 15A or 20A, 125V AC or 250V AC, NEMA 5-15P/5-15R, 5-20P/5-20R, 6-15P/6-15R, 6-20P/6-20R

Nylon – Python Series Plugs & Connectors



2-Pole 3-Wire Grounding (L+N+PE)

- Hinged design provides fast, easy assembly
- Resists impact, sunlight, chemicals and rough use
- Ideal for power tools and extension cords
- Models available: 15A or 20A, 125V AC or 250V AC, NEMA 5-15P/5-15R, 5-20P/5-20R, 6-15P/6-15R, 6-20P/6-20R, - Angle Plugs and Hospital Grade Models (Green Dot) available