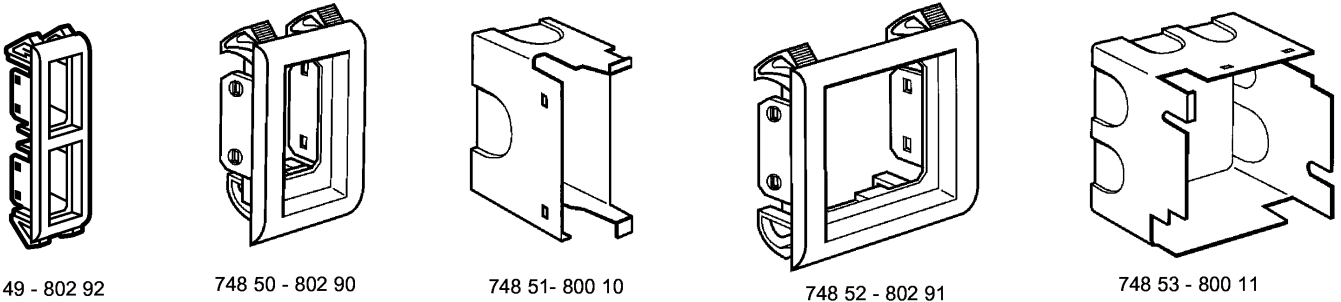


Supports and isolating boxes for thin walls

Cat. No(s) : 748 49/50/51/52/53 - 800 10/11 - 802 90/91/92



1. USE

Using to mount modules on the walls.

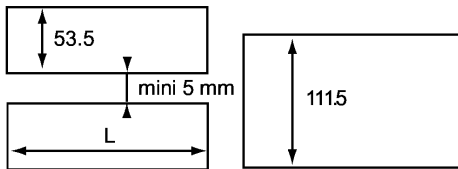
2. RANGE

- 748 49 - 802 92 : 2 x 1-module support
 - 748 50 - 802 90 : 1 module support
 - 748 51 : isolating box for support Cat. No. 748 50
 - 748 52 - 802 91 : 2-modules support
 - 748 53 : isolating box for support Cat. No. 748 52
 - 800 10 : isolating box for support Cat. No. 802 90 (one box) and 802 92 (two boxes)
 - 800 11 : isolating box for support Cat. No. 802 92
- Supplied in packs of 10.

3. INSTALLATION AND WIRING

Supports are clipped directly onto thin walls 1 to 3 mm thick.
Isolating boxes are clipped onto supports Cat. Nos. 748 49/50/52
 Cat. Nos. 802 90/91/92.

Cutouts necessary : 748 49 : 28 x 111.5 mm
 749 50 : 28 x 53.5 mm
 748 52 : 58.5 x 53.5 mm



• Determination of the cutout width (W)

748 52 - 802 91		→ Number of modules					
748 50 - 802 90		0	1	2	3	4	5
Number of modules ↓	0		58.5	119	180	240.5	301.5
	1	28	88.5	149.5	210.5	271	332
	2	58.5	119	180	240.5	301.5	362.5
	3	88.5	149.5	210.5	271	332	392.5
	4	119	180	240.5	301.5	362.5	423
	5	149.5	210.5	271	332	392.5	453.5

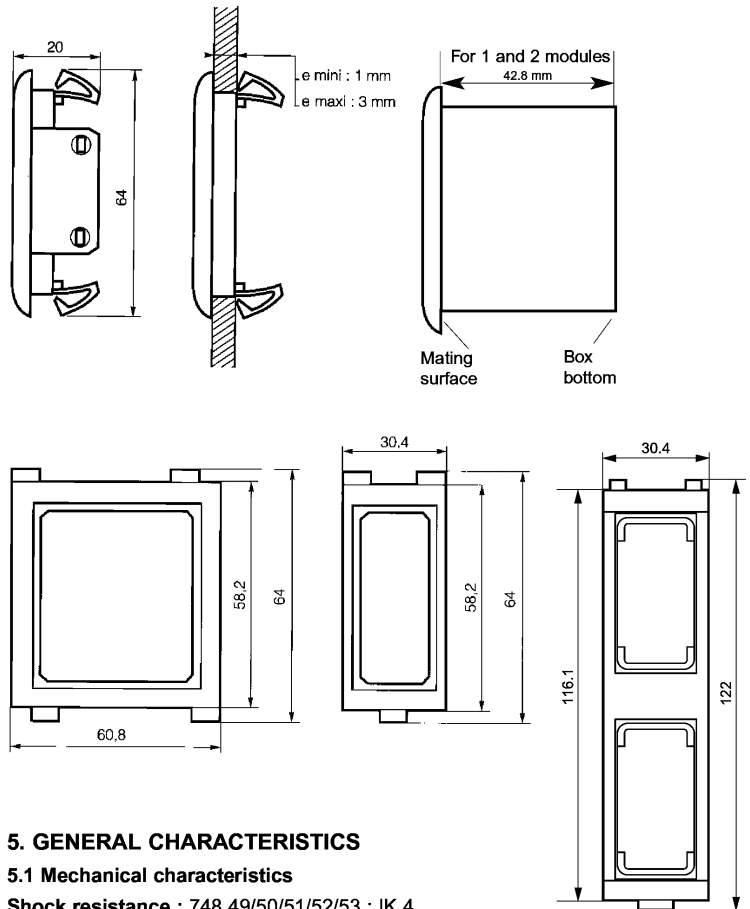
748 50 - 802 92		1	2	3	4	5
Number of modules	□□□□□	28	58.5	88.5	119	149.5

• Min. cutout depending on wall thickness

	1 mm wall	3 mm wall
748 49 - 802 92	27.7 x 111.2	27.9 x 111.4
748 50 - 802 90	27.7 x 53.5	27.9 x 53.5
748 52 - 802 91	58.1 x 53.2	58.3 x 53.4



4. DIMENSIONS



5. GENERAL CHARACTERISTICS

5.1 Mechanical characteristics

Shock resistance : 748 49/50/51/52/53 : IK 4
 802 90/91/92 - 800 10/11 : IK 4

Weight : 748 49 - 802 92 : 14 g
 748 50 - 802 90 : 7.8 g
 748 51 - 800 10 : 8,2 g
 748 52 - 802 91 : 14.7 g
 748 53 - 800 11 : 12.5 g

Materials : 748 49/50/52 - 802 90/91/92 : polybutylene terephthalate
 748 51/53 - 800 10/11 : polystyrene

Colour : 748 49/50/52 : white RAL 9010
 748 51/53 - 800 10/11 : grey RAL 7035
 802 90/91/92 : white RAL 9003

5.2 Electrical characteristics

Self-extinguishing :
 748 49/50/51/52/53 : 850° C / 30 s
 802 90/91/92 - 800 10/11 : 850° C / 30 s

5.3 Environmental characteristics

Storage temperature : - 10° C to + 70° C
Operating temperature : - 5° C to + 40° C