

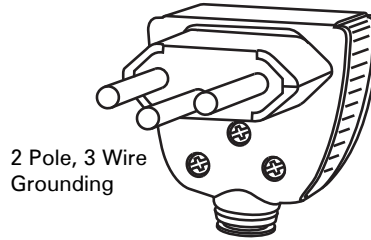
## Brazil - Combination Plugs, Straight and/or Angle, NBR 14136

### Rewirable Mains Line Plugs, Axial and/or Side Cord Entry, NBR 14136

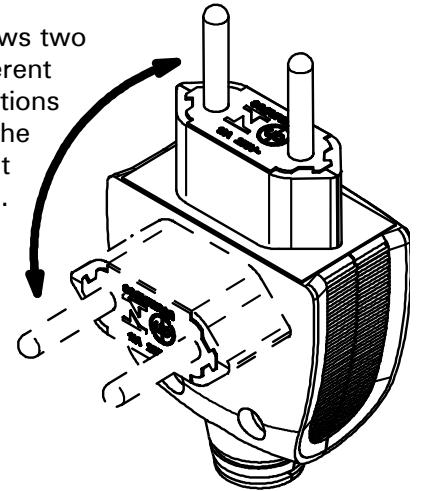
**Used in Country:**  
Brazil

**Specifications:**

- **Ratings:** 10 and 20 Amp, 250 Volt AC
- **Cable Range:** With cable gland, for cable outside diameter by 13 mm.
- **Compliant with Standards:** ABNT NBR 14136, IEC 60906-1.
- **Colors:** Black, Grey, and White.
- **Pins Diameter:**  
10A/250V~ cylindrical pin Ø 4.0 mm  
20A/250V~ cylindrical pin Ø 4.8 mm



Allows two different positions for the input wire.



Catalog No.	Color	Poles, Wires, Grounding	Ratings	Pins Diameter	Description
<b>10 Amp, 250V AC, 2 Pole 2 Wire Non-Grounding:</b>					
615830	White	2P 2W Non-Grounding	10A/250V~	Ø 4.0 mm	Straight/Angle Combination Plug
615850	Black	2P 2W Non-Grounding	10A/250V~	Ø 4.0 mm	Straight/Angle Combination Plug
615870	Grey	2P 2W Non-Grounding	10A/250V~	Ø 4.0 mm	Straight/Angle Combination Plug
<b>20 Amp, 250V AC, 2 Pole 2 Wire Non-Grounding:</b>					
615831	White	2P 2W Non-Grounding	20A/250V~	Ø 4.8 mm	Straight/Angle Combination Plug
615851	Black	2P 2W Non-Grounding	20A/250V~	Ø 4.8 mm	Straight/Angle Combination Plug
615871	Grey	2P 2W Non-Grounding	20A/250V~	Ø 4.8 mm	Straight/Angle Combination Plug
<b>10 Amp, 250V AC, 2 Pole 3 Wire Grounding:</b>					
615832	White	2P 3W Grounding	10A/250V~	Ø 4.0 mm	Straight/Angle Combination Plug
615852	Black	2P 3W Grounding	10A/250V~	Ø 4.0 mm	Straight/Angle Combination Plug
615872	Grey	2P 3W Grounding	10A/250V~	Ø 4.0 mm	Straight/Angle Combination Plug
<b>20 Amp, 250V AC, 2 Pole 3 Wire Grounding:</b>					
615833	White	2P 3W Grounding	20A/250V~	Ø 4.8 mm	Straight/Angle Combination Plug
615853	Black	2P 3W Grounding	20A/250V~	Ø 4.8 mm	Straight/Angle Combination Plug
615873	Grey	2P 3W Grounding	20A/250V~	Ø 4.8 mm	Straight/Angle Combination Plug

**NOTES:**

The Class I and II plugs shapes are similar to the Europlug. Front profile is also a flat hexagon, but it is slightly thicker. Plug looks remarkably similar to the Swiss SEV 1011 plug, but the earth pin is further 5 mm away from the center line.

Both plugs hexagon are 35.5 mm wide. The 3-pin Class I plug hexagon is 17 mm high, whereas the 2-pin Class II plug hexagon is with only 14 mm slightly slimmer (the Europlug is only 0.3 mm smaller).

