

80251

DESCRIPTION

Universal metal support frame for mounting module mechanisms. Supplied with worksite protection cover.
1-gang support frame, Number of modules: 2

Mounting

The support frame is screwed to flush-mounting box.

TECHNICAL CHARACTERISTICS

Material characteristics

Galfan steel + polyamide 6.6 support frame

Electrical characteristics

Self-extinguishing: 650°C / 30 s

Climatic characteristics

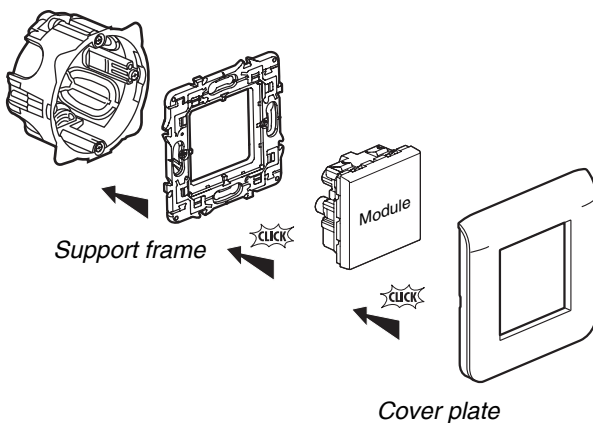
Storage temperatures: -10°C to +70°C

Operating temperatures: -5°C to +50°C

CONFORMITY - APPROVALS

OC / CB - 645761D, NF - NF012_1023, OC / CB - 11580,
B.B.J - B/12/101/16, OC / CB - 692820B, NF - 686049A,
OC / CB - 630163B/A1, OC / CB - 686049B, NF - 692816A,
NF - 677822/A1, OC / CB - 677823/A1, OC / CB - 569889/A1,
NF - 666677A, NF - 630164A/A1, IRAM - DC-E-E100-003.1M2,
OC / CB - 700177, NF - 630163A/A1, OC / CB - 666677B,
OC / CB - 683667/A1, OC / CB - 620080, OC / CB - 619737,
OC / CB - 645761B, AENOR - 030/002285, OC / CB - 692816B,
B.B.J - B/12/093/16, OC / CB - 620094, NF - 692820A,
ASTA - 428, OC / CB - 630164B/A1, NF - 630144,
B.B.J - B/12/100/16 ,

PREPARATION



OVERALL DIMENSIONS (mm)

