

IP66 Modular Socket Outlets

■ Product Examples

Flush Mounting Box with Socket Outlet and Plug inserted



Surface Mounting Box with Socket Outlet and Cover open

■ Combination Example



1374427 Socket Outlet according to AS/NZS 10 Amp.

1373211 Single Pole Two Way Switch

137102 Surface Mounting Two Gang Box

■ General Product Information

Complete range of switches and domestic socket outlets IP66 with plug inserted, sturdy and resistant to UV rays thanks to the use of high-strength technopolymers.

The electrical socket outlets are available in the main Italian and International standards.

All series devices are available for surface, flush or pole mounting.

Ideal for installations in gardens and other places with the presence of water and dust, as well as in the tertiary sector and in light industry.

■ Specifications

- **Rated current:** 10A • 13A • 15A • 16A
- **Rated voltage:** 250V~
- **Frequency:** 50/60Hz
- **Protection degree:** IP66
- **Cable entries:** Blank side
- **Installation temperature:** -20°C to +60°C
- **Cabling capacity of the terminals:**
1 mm² ÷ 2.5 mm² (10A), 1.5 mm² ÷ 2.5 mm² (13A-15A), 1.5 mm² ÷ 4 mm² (16A)
- **Self extinguishing degree (GWT):**
650°C (body), 850°C (contact carrier)
- **Impact resistance (IK degree):** IK07
- **Material:** Thermoplastic (Halogen Free)
- **Housing Color:** Gray RAL 7035 (base)
- **Cover Color:** Smoke-tinted transparent
- **Reference Standards:** CEI 23-50, IEC 60884-1, IRAM 2071, SANS 164-1, BS 1363, BS 546, NF C61-303
- **Markings and Directives:** CE, UKCA
- **Quality Marks:** EAC, IRAM



■ Nominal Dimensions

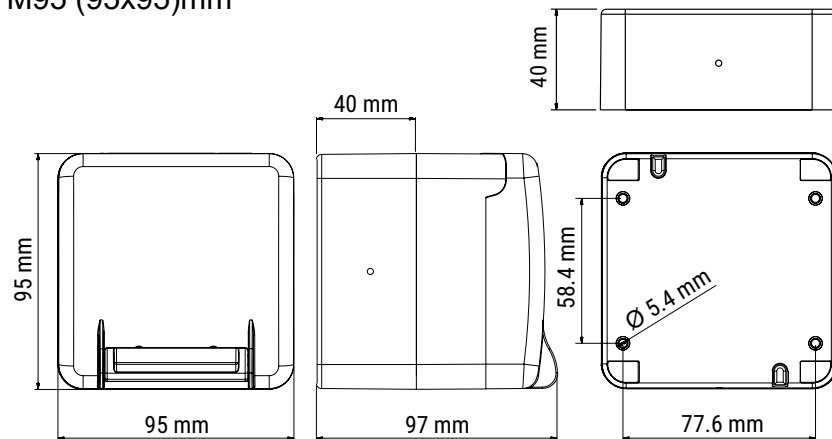


Must not be disposed with household waste!



Installation may only be carried by people (qualified electricians) with relevant electrical engineering knowledge and experiences!

SURFACE MOUNTING ONE GANG SOCKET M95 (95x95)mm



SURFACE MOUNTING BOX CAT No. 137102 M95 x 2 (195x95)mm

