

Heavy Duty Locknuts

Industrial Type

Features

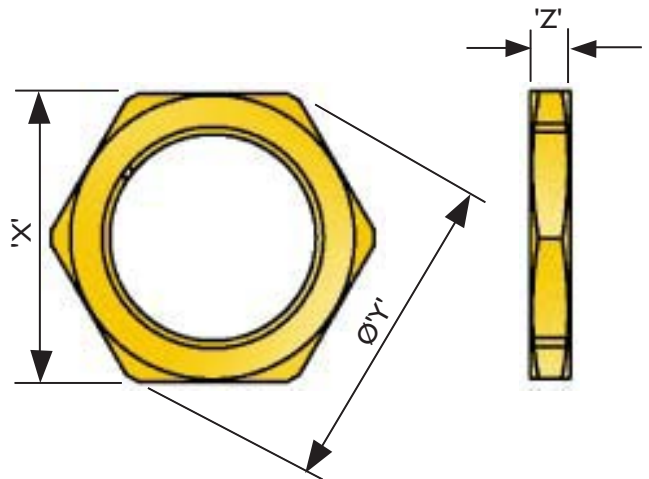
Secures a cable gland in position at the equipment.

Materials & Finishes

These heavy duty locknuts are manufactured as standard in brass.

Stainless Steel locknuts available, but dimensions may differ slightly to those stated in the selection table.

Please contact our sales office for details.



Ordering Example

Thread-Material Locknut

e.g. M25-MS Locknut

LOCKNUT SELECTION TABLE							
Metric x 1.5mm Pitch				NPT			
Metric Cable Gland	Across Flats 'X'	Across Corners 'Y'	'Z'	NPT * Cable Gland	Across Flats 'X'	Across Corners 'Y'	'Z'
M16	19.0	21.9	3.2	-	-	-	-
M20	24.0	26.9	4.0	1/2"	30.0	33.6	4.7
M20	24.0	26.9	4.0	3/4"	30.0	33.6	4.7
M25	30.0	33.6	4.0	1"	36.0	40.3	6.4
M32	46.0	53.1	4.0	1 1/4"	46.0	53.1	6.4
M40	46.0	53.1	4.8	1 1/2"	55.0	61.6	6.4
M50	65.0	72.8	4.7	2"	65.0	72.8	6.4
M63	80.0	89.6	6.4	2 1/2"	80.0	89.6	6.4
M75	95.0	107.0	6.4	3"	95.0	107.0	6.4
M80	106.4	119.2	10.0	3 1/2"	127.0	143.0	9.0
M90	106.4	119.2	10.0	3 1/2"	127.0	143.0	9.0
M100	127.0	142.2	10.0	4"	139.7	158.0	9.0

All dimensions in millimetres (except* where dimensions are in inches).

We do not recommend the use of tapered entry threads in enclosures with plain clearance holes. Parallel threaded entries are recommended for this purpose.