

USA / Canada - Panel Mounted Fuse Holders, 572 Series

Panel Mounted Fuse Holders

The 572 series panel mount fuse holders are designed to minimize installation time.

The unique design incorporates a snap-mount feature that allows the holder to be installed without any tools or mounting hardware.

Specifications

Voltage Rating:	600 Volts AC/DC
Ampere Rating:	30 Amperes for Class CC and Midget fuses
SCCR Rating:	200,000 Amperes – Class CC Versions; 10,000 Amperes – Midget Versions
Panel Thickness:	14 – 18 Gauge Standard Versions 0.0747" – 0.0478" (1.2 – 1.9)mm 14 – 22 Gauge Watertight "P" 0.0747" – 0.0299" (0.8 – 1.9)mm
Dielectric Strength:	4000 Volts
Terminals:	Tin-plated brass combination solder and ¼" quick-connect
Molded Parts:	Black thermoplastic – 150°C UL Rating
Flammability Rating:	94VO
Approvals:	UL Recognized (File No. E14721) UL Recognized for branch circuit protection – Class CC versions CSA Certified (File No. LR7316)

General Description

The 572 panel mount fuse holders are a time-saving alternative to traditional panel mount holders.

The exclusive design minimizes installation time by incorporating a snap-mount feature that allows the holder to be installed without any tools or mounting hardware.

The 572 series is available for Class CC (branch circuit protection) or Midget (supplementary protection) type fuses.

Class CC fuse holders incorporate a rejection feature to prevent the use of fuses with lower voltage and interrupting ratings.

Mounting

The 572 "snap-mount" style fuse holder eliminates mounting screws and nuts by simply snapping into the panel. To ensure anti-rotation, a standard Double "D" punch is recommended (Example: Greenlee Punch Unit 61092).



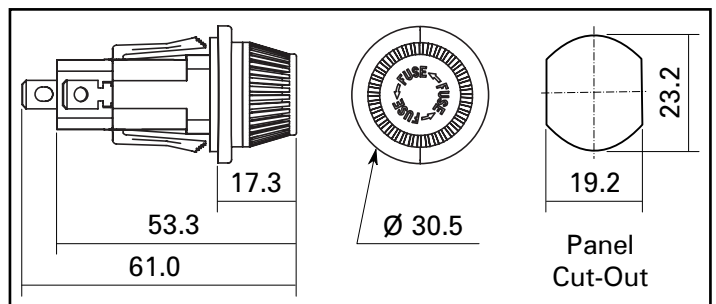
Features and Benefits

- Installs without any tools or mounting hardware.
- Designed for use with Class CC and Midget fuses.
- Available in watertight versions to accommodate applications that require wash-downs such as food processing.
- Available with pre-assembled wire leads to further reduce assembly time.

(Contact our sales office for information)

Catalog Number	Bottom Terminal	Fuse Length Range*	For Use With
572027	Straight	1 5/16" – 1 3/8"	Midget
572028	Rt. Angle	(33.3 – 34.9)mm	Fuses
572007	Straight	1 13/32" – 1 1/2"	Midget
572008	Rt. Angle	(35.7 – 38.1)mm	Fuses
5720CC	Straight	1 1/2"	Class CC
572RCC	Rt. Angle	38.1 mm	Fuses

* Fuse diameter is 13/32" (10.3 mm)



Technical Data are Subject to Change without Notice. Dimensions in mm.