

## SINGLE-GANG DEVICE COVERS

### Application

- For use whenever weatherproof protection is required for an outdoor receptacle

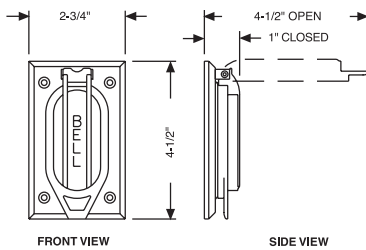
### Product Features

- Rugged metallic construction
- State-of-the-art powder coat finish provides maximum weatherability and scratch resistance
- Self-closing lids assure weather-proof protection when the receptacle is not in use
- Includes installation hardware, gasket, and multi-lingual instructions

### Compliances

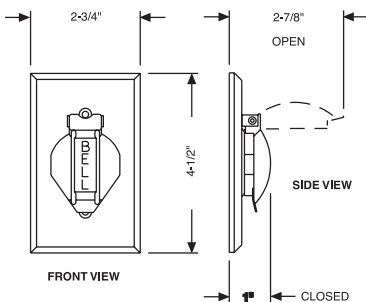
- – Standard 514A
- – C22.2 No. 18
- – (5103 series)
- NEMA 3R Rated

### GFCI STYLE COVERS

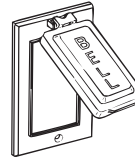


### SINGLE RECEPTACLE STYLE COVERS

NOTE: DIMENSIONS FOR DEVICE-MOUNT AND BOX-MOUNT COVERS ARE THE SAME



5146-0 TO 5146-5



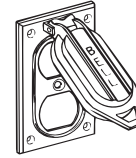
5103-0 TO 5103-7



5155-0 TO 5155-7



5091-0



5095-0

## ORDERING INFORMATION - DIMENSIONS

VERTICAL - DEVICE MOUNT					
CATALOG NUMBER	COLOR	RECEPTACLE TYPE	PKG. TYPE	STD. PKG.	UPC BAR CODE
5146-0	Gray	Duplex	Shrink	24	
5146-5	Gray	Duplex	Carded	6	
5103-0*	Gray	GFCI	Shrink	24	
5103-1*	White	GFCI	Shrink	24	
5103-2*	Bronze	GFCI	Shrink	24	
5103-5*	Gray	GFCI	Carded	6	
5103-6*	White	GFCI	Carded	6	
5103-7*	Bronze	GFCI	Carded	6	
5155-0	Gray	Single, 1.406" diameter	Shrink	24	
5155-1	White	Single, 1.406" diameter	Shrink	24	
5155-2	Bronze	Single, 1.406" diameter	Shrink	24	
5155-5	Gray	Single, 1.406" diameter	Carded	6	
5155-6	White	Single, 1.406" diameter	Carded	6	
5155-7	Bronze	Single, 1.406" diameter	Carded	6	

\*C/UL Listed

VERTICAL - BOX MOUNT					
CATALOG NUMBER	COLOR	RECEPTACLE TYPE	PKG. TYPE	STD. PKG.	UPC BAR CODE
5095-0	Gray	Duplex	Shrink	24	
5091-0	Gray	Single, 1.406" diameter	Shrink	24	

### DUPLEX STYLE COVER

