

205-TC-P

Application and Performance Specifications

- **Description:** Electromagnetic ballast for (2) fluorescent lamps as indicated below:
- Line Voltage: 120 vac, + 5%, - 10%, 60Hz
- Series Lamp Operation
- Preheat Start
- High Power Factor (except as noted)

Typical Performance Data								
Lamp		Input Current (Amps)	Input Power (Watts)	Power Factor	Ballast Factor	Ballast Efficacy Factor	T.H.D. %	Crest Factor
Type	#							
F40T12ES	2	0.73	79	>.90	.89	1.13	< 32	< 1.7
F40T12ESI/U	2	0.73	79	>.90	.89	1.13	< 32	< 1.7
F40T12	2	0.84	92	>.90	.95	1.03	< 20	< 1.7
F40T10	2	0.84	95	>.90	1.00	1.05	< 32	< 1.7

Application and Performance Specification Information Subject to Change without Notification.

Performance:

- Complies with ANSI standard C82.1
- Compatible with PLC and IR systems
- Lead-Lag type circuit

Safety

- No PCB's
- UL listed (Class P, Indoor and Type 1 Outdoor, HL)
- CSA Certified
- Thermally Protected

Application:

- Minimum Starting Temperature: 60° F, 15° C for Energy Savings (34w) lamps; 50° F, 10° C for other lamps
- Maximum Ballast Case Temperature not to exceed 90° C
- Sound Rated: A
- Remote Mounting: 20 feet with minimum 18 AWG (refer to TechNote # 7b for other wire sizes/lengths)

Mechanical

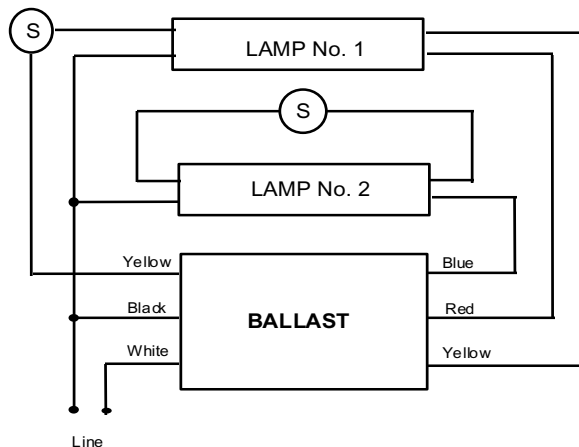
- Length: 9 1/2" 8 57/64"
- Width: 2 3/8" 1 11/16"
- Height: 1 11/16"
- Lead Length (inches, ± 1):
 - Black 32
 - Red, Blue 26
 - White 20
 - (2) Yellow 32, 26
- Weight: 4 lbs.

Overall Mounting

Warranty:

The manufacturer warrants to the purchaser that each electronic ballast will be free from defects in material or workmanship for a period of 24 months from date of manufacture when properly installed and under normal conditions of use.

Manufactured in North America



Ballast must be grounded. Install in accordance with National Electric Code.