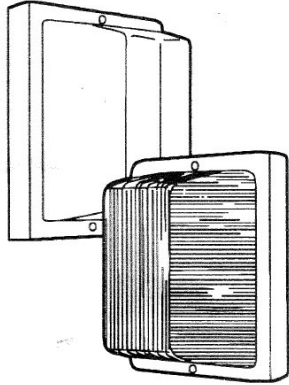


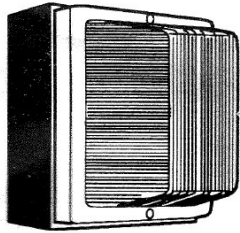
INSTALLATION INSTRUCTIONS

Upon receipt of fixture and accessories (packed separately) thoroughly inspect for any freight damage which should be brought to the attention of the delivery carrier. Compare the catalog description listed on the packing slip with the fixture label on the inside of the housing to be sure you have received the correct merchandise.

VR1/VR2 Series Incandescent and Fluorescent



VR2 Series High Pressure Sodium



IMPORTANT SAFETY INSTRUCTIONS

(For Your Protection, Read Carefully)

- This fixture must be wired in accordance with the National Electrical Code and applicable local codes and ordinances.
- Proper grounding is required to ensure personal safety.
- Use approved connectors for all electrical connections.
- ALL work should be done by a qualified electrician.
- WARNING: NEVER disconnect any component while power supply is engaged.

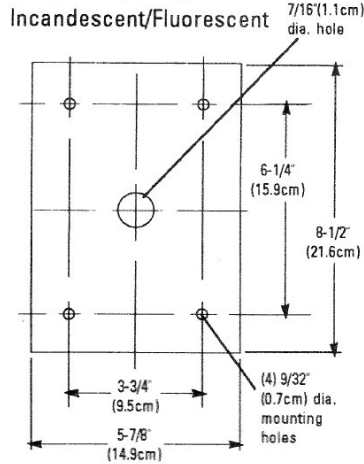
Prior to Installation

Read carefully before installing light fixtures. If you do not understand these instructions, please contact your local Lithonia/Hi-Tek distributor before installing.

NOTE: For the most vandal-resistant application, utilize the tamper-proof screw (provided). A special torxhead screwdriver must be used and can be acquired through your local Lithonia/Hi-Tek distributor.

INSTALLATION

VR1/VR2 Series

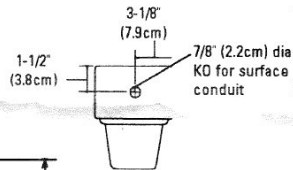
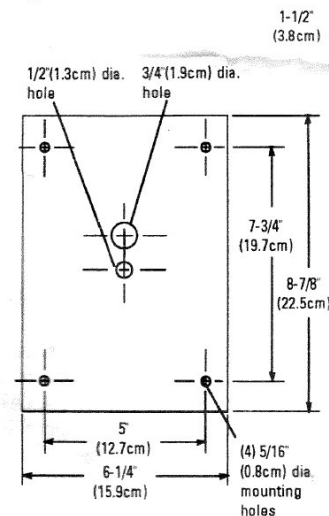


1. Remove refractor (and optional internal reflector, if provided) from backplate and remove cover from junction box if necessary.
2. Attach crossbar (supplied in hardware pack) to junction box and screw threaded rod (in hardware pack) in crossbar.
3. Make wire connections and place wires safely back into junction box.
4. Place backplate over junction box to seal electrical connections. Neoprene gasket and insulation must be securely attached to backplate before mounting.
5. Screw nut and washer (provided) onto threaded rod and tighten.
6. **LAMP INSTALLATION:** Before installing lamp in fixture, be sure type and wattage are correct.
INCANDESCENT LAMP (not included): Screw the lamp into socket; back the lamp out one to two turns, then screw lamp back in, making sure it is secure. This properly seats lamp in socket.
FLUORESCENT PL LAMP (included): Push lamp into socket until the socket retention clips snap secure (you will hear a click).

7. Position refractor (and internal reflector, if provided) over backplate and tighten screws (slot-head and tamper-proof screws provided).

VR2 Series

High Pressure Sodium



1. Remove refractor, optical assembly (and optional internal reflector, if provided) and housing from backplate.
2. Align wire access in mounting surface with access hole in backplate and mark 4 holes (located near corners) on mounting surface. Drill holes accordingly.
3. Remove cover from junction box, if applicable. Make wire connections and place wires safely back into junction box.
4. Mount backplate through 4 holes with 1/4" mounting hardware (not provided).
5. Install housing by placing hingerail over bottom of backplate and fasten by securing screw through tab located in the upper corner of housing.
6. Replace optical assembly.
7. **LAMP INSTALLATION:** Before installing lamp (not included), check to make sure lamp is proper type and wattage. Screw lamp into socket; back lamp out one to two turns, then screw lamp back in, making sure it is secure. This properly seats lamp in socket.
8. Position refractor (and internal reflector, if provided) over housing and tighten with screws (slot-head and tamper-proof screws provided).

SURFACE CONDUIT APPLICATION

1. Remove refractor, optical assembly and housing from backplate.
2. Mark proper location for fixture; mark and drill 4 hole position.
3. Mount backplate with 1/4" mounting hardware (not provided).
4. Install housing by placing hingerail over the bottom of backplate and fasten by securing screw through tab located in upper corner of housing.
5. Use 1/2" conduit and connectors (not provided) and make proper wire connections.

NOTE: FOR WET LOCATION LABELED FIXTURES

To properly seal fixture when surface mounted, apply silicone type caulking compound between the mounting surface and fixture. When wall mounted, caulk top and both sides. When unit is ceiling mounted, caulk all 4 sides.

NOTE: Observe lamp manufacturer's recommendations and restrictions on lamp operations, burning position, etc.

MAINTENANCE: NEVER perform maintenance while fixture is energized. Your Lithonia/Hi-Tek fixture is designed for years of trouble-free operation. For optimum performance, periodically clean refractor with a non-abrasive cleaner.