

FEATURES & SPECIFICATIONS

INTENDED USE

General illumination for rough service (vandal-resistant) applications. Ideal for applications that require minimum light capabilities for safety and security. **Certain airborne contaminants can diminish the integrity of acrylic and/or polycarbonate.** [Click here for Acrylic-Polycarbonate Compatibility table for suitable uses.](#)

CONSTRUCTION

Backplate: Heavy-duty, 16-gauge cold-rolled steel. Insulated with 1" thick fiberglass.
 Gasket: Closed-cell neoprene gasket seals out moisture and contaminants.
 Finish: Post-painted after fabrication in white polyester powder coat for high reflectance, durability and corrosion resistance.

OPTICS

Clear prismatic, UV-stabilized, polycarbonate lens, nominal thickness .125" (1/8"), softens light across entire surface. Smooth exterior for easy cleaning. Lens secured by either stainless steel tamper-resistant Torx® T-20 or standard stainless steel slotted hex-head screws (two of each included).

ELECTRICAL

Socket: Unglazed porcelain snap-in socket with aluminum screw shell. Spring-loaded steel clips hold socket tightly in place.
 Lamp: Maximum wattage for vertical wall-mount is 100W, horizontal wall-mount is 60W and ceiling-mount is 75W. Provided by others

INSTALLATION

Unit may be ceiling- or wall-mounted. Backplate mounts securely to outlet box with crossbar (included). For maximum vandal-resistance, mount unit to structure through four knockouts provided.

LISTINGS

UL Listed (standard). CSA Certified (see Options). UL Listed for 25°C ambient and wet locations for wall-mount or in covered-ceiling applications.

WARRANTY — 1-year limited warranty. Complete warranty terms located at: www.acuitybrands.com/CustomerResources/Terms_and_conditions.aspx

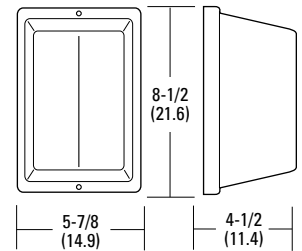
NOTE: Actual performance may differ as a result of end-user environment and application. Specifications subject to change without notice.

Catalog Number
Notes
Type

Rough Service Fixture

VR2

INCANDESCENT
Ceiling/Wall-Mounted



All dimensions are shown in inches (centimeters) unless otherwise specified.

ORDERING INFORMATION

Lead times may vary depending on options selected. Consult with your sales representative.

Example: VR2 IR

VR2	Series	Lens type	Options
	VR2	(blank) Clear Prismatic Lens	<p><u>Shipping installed in fixture</u></p> <ul style="list-style-type: none"> AL Aluminum backplate DC Single DC bayonet base socket only (incandescent -25W max) EC Emergency circuit (incandescent - 25W max - DC bayonet base)¹ IHR Internal horizontal reflector IR Internal reflector NL Night-light (incandescent - 6W max - 6S6DC base)¹ 4S Four screws per unit CSA CSA Certified <p><u>Shipped separately</u></p> <ul style="list-style-type: none"> EB1 U 0S Steel extension box² EBC Cast aluminum extension box EBC PEB1 Cast aluminum extension box with photoelectric cell EB1 CO Steel extension box with convenience outlet² EB1 TS1 Steel extension box with toggle switch² FHV Steel horizontal external visor² FV1 Steel vertical external visor²

Accessories: Order as separate catalog number.	
RK1 T20BIT	Hex-base driver bit, Torx TX20, for tamper-resistant screws with center reject pin.
RK1 T20DRV	Torx TX20 screwdriver for use with tamper-resistant screws with center reject pin.

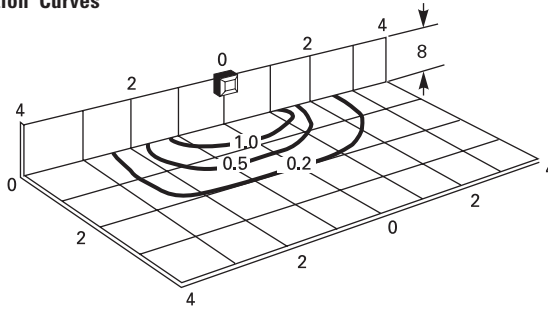
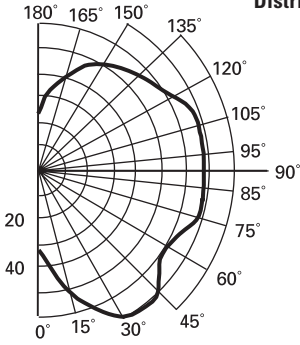
Notes

- 1 Maximum wattage lamp provided.
- 2 For aluminum extension box or visor, add AL (example: EB1 CO AL).

VR2 Rough Service Wall/Ceiling-Mounted Fixture, Incandescent

VR2, 60W, Incandescent A-19 lamp, 890 rated lumens. Test number 80146-147.

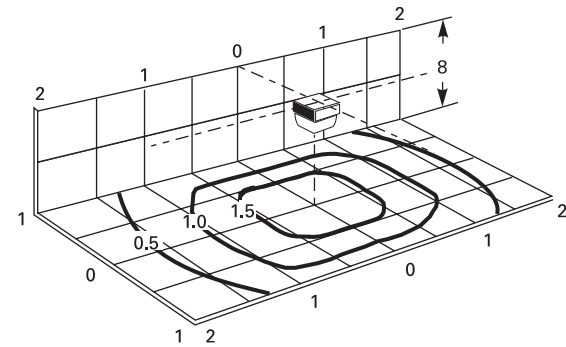
Distribution Curves



Output Data

Zone	Lumens	%lamp
0°-30°	45	5.1
0°-40°	85	9.6
0°-60°	187	21.0
0°-90°	366	41.2
90°-180°	324	36.6
0°-180°	690	77.8

Spacing-to-mounting height: 2.4



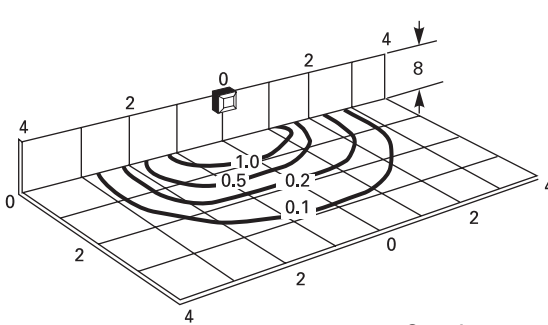
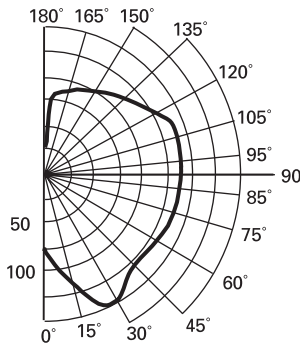
Distribution Data

	0°	45°	90°
0°	61	61	61
5°	61	61	62
15°	61	62	64
25°	61	67	72
35°	52	71	82
45°	54	87	108
55°	62	107	120
65°	58	110	109
75°	53	100	89
85°	44	83	72
90°	40	78	65

Coefficient of Utilization

ρ f ρ c ρ w	Coefficient of Utilization							
	80%		20%		30%		0%	
	50%	30%	50%	30%	50%	30%	50%	30%
1	70	65	59	56	53	50	40	40
2	58	52	49	44	44	40	30	30
3	50	42	42	36	37	32	23	23
4	43	35	36	30	32	27	18	18
5	37	30	32	25	28	23	14	14
6	33	25	28	22	25	19	12	12
7	29	22	25	18	22	17	9	9
8	26	19	22	16	20	15	8	8
9	24	17	20	14	18	13	7	7
10	21	15	18	13	16	11	6	6

VR2, 100W, Incandescent A-19 lamp, 1750 rated lumens. Test number 80036.



Output Data

Zone	Lumens	%lamp
0°-30°	89	5.1
0°-40°	167	9.6
0°-60°	368	21.0
0°-90°	720	41.2
90°-180°	638	36.6
0°-180°	1358	77.8

Spacing-to-mounting height: 2.4

Distribution Data

	0°	45°	90°
0°	71	71	71
5°	80	81	77
15°	113	119	107
25°	139	160	142
35°	145	189	168
45°	127	196	172
55°	118	195	171
65°	128	203	165
75°	131	199	148
85°	132	191	129
90°	132	188	125

Coefficient of Utilization

ρ f ρ c ρ w	Coefficient of Utilization							
	80%		20%		30%		0%	
	50%	30%	50%	30%	50%	30%	50%	30%
1	69	65	53	51	44	42	29	29
2	58	52	45	41	37	34	22	22
3	50	44	39	34	32	28	17	17
4	44	37	34	29	28	24	14	14
5	38	32	30	25	25	20	11	11
6	35	27	26	21	22	18	9	9
7	30	24	24	18	19	15	8	8
8	27	21	21	16	18	13	6	6
9	25	18	19	14	16	12	5	5
10	22	16	17	13	14	11	5	5

Mounting Height Correction Factor

To obtain the footcandle value for different mounting heights multiply the footcandle value by the above correction factor.

MH	6'	10'	12'	14'
8'	1.78	0.64	0.44	0.33

Tested to current IES and NEMA standards under stabilized laboratory conditions. Various operating factors can cause differences between laboratory data and actual field measurements. Dimensions and specifications on this sheet are based on the most current available data and are subject to change without notice.