



## VT2 SERIES

**2', 4' or 8' Industrial  
1, 2 or 3 Lamps**

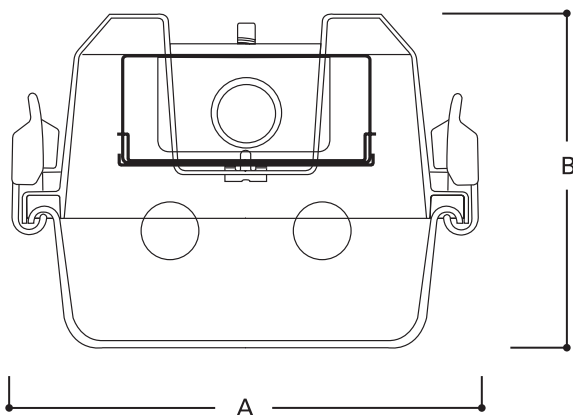
### INDUSTRIAL/VAPORTITE

#### DESCRIPTION

The VT2 Series is an energy efficient industrial vaportite fixture that features rugged and durable construction. The VT2 incorporates a full metal fixture housing channel inside a reinforced fiberglass housing with a high impact diffuser and positive cam latching. This Vaportite series is suitable for interior and exterior applications and can be surface or chain mounted. The VT2 Series has been designed for maximum performance in commercial, institutional and industrial environments where weathering, humidity and dust or corrosive fumes are present.

- Equipped with energy saving ballasts/complies with federal energy efficiency standards
- Reinforced fiberglass housing
- High Impact acrylic/DR diffuser material
- Continuous polyurethane gasketing formed to housing provides a seamless seal
- Watertite hubs standard at each end accepts 1/2" conduit
- Optional top only hub entry or combination top and end hub entry available for stem mounting applications
- Die formed galvanized steel mounting brackets (Standard)
- Baked white enamel finish internal channel/high reflectance
- No holes required for surface/chain mounting
- Unitized internal/external brass mounting stud for structural integrity and continuity of ground
- U.L. Listed for wet locations (standard)
- UL/CUL Listed. Suitable for damp locations.

#### DIMENSIONS



NOMINAL LENGTH	A	B
2', 4', 8'	7" (178mm)	5" (127mm)
4', 8', 8' (HO)	7" (178mm)	5 7/8" (149mm)

## ORDERING INFORMATION

SAMPLE NUMBER: VT2-232DR-120V-EB81-WL-U

<b>Tandem Blank=</b> 4' Length 8T=8' Length	<b>Series</b> VT2=Vapor-Tite	<b>Number of Lamps<sup>(3)</sup></b> 1, 2 or 3 Lamps (Not included)	<b>Wattage (Length)</b> 20=20W T12 (24") 17=17W T8 (24") BX40=40W Biax (24") <sup>(5)</sup> BX50=50W Biax (24") <sup>(5)</sup> 40=34/40W T12 (48") 32=32W T8 (48") 48=40W T12 (48") SL 48HO=60W T12 (48") HO 48HO=44W T8 (48") HO 96=60/75W T12 (72") SL 96=59W T8 (96") SL 96HO=95/110W T12 (96") HO 96HO=86W T8 (96") HO	<b>Lens</b> DR=Internal Prismatic Lens/15% DR High Impact Additive (Standard) DR-100=100% High Impact Additive LEX=High Impact Clear Polycarbonate LEXAN Lens/Low Brightness Pattern	<b>Starting Type</b> LTS=Low Trigger Start (20 Watt only) (120V only) HTS=High Trigger Start (20 Watt only)	<b>Voltage<sup>(1)</sup></b> 120V=120 Volt 277V=277 Volt 347V=347 Volt UNV=Universal Voltage 120-277 <sup>(2)</sup>	<b>GL=Single Element Fuse</b> <b>GM=Double Element Fuse</b> <b>Emergency</b> - for EM installed, see EM options table <sup>(4)</sup>	<b>WL=Wet Label</b>	<b>Options</b> (See Options Section)	<b>Packaging</b> U=Unit Pack	<b>Ballast Type<sup>(1)</sup></b> <b>Blank</b> =Standard Magnetic Ballast (Biax only) <b>LE3</b> =T12 Magnetic Energy Saving <b>EB8</b> = T8 Electronic Instant Start. Total Harmonic Distortion < 10% No. of Ballast 1, 2 or 3 <b>EB8 /PLUS</b> = T8 Electronic Instant Start. High Ballast Factor >1.13. Total Harmonic Distortion < 20% No. of Ballast 1, 2 or 3 <b>ER8</b> = T8 Electronic Program Rapid Start. Total Harmonic Distortion < 10% No. of Ballast 1, 2 or 3 <b>EB5</b> = T5 Biax Electronic Instant Start. Total Harmonic Distortion < 20% No. of Ballast 1, 2 or 3 <b>TEB5</b> =T5 Biax Electronic Instant Start. Total Harmonic Distortion < 10% No. of Ballast 1, 2 or 3 <b>EB2</b> =T12 Electronic Rapid Start. No. of Ballast 1 or 2 <b>DLS</b> =Digital Lighting System Dimming
---	---------------------------------	---	---	--	---	---	--	---------------------	---	---------------------------------	--

NOTES: <sup>(1)</sup>Products also available in non-US voltages and frequencies for international markets. <sup>(2)</sup>Not available when specifying emergencies, voltage must be specific. <sup>(3)</sup>3-lamp only available for 32W T8 lamps. <sup>(4)</sup>Not available for 2' units. <sup>(5)</sup>1 Lamp only.